

[54] SUPPORT BRACKET FOR A FLOWER POT OR SIMILAR ARTICLE

[76] Inventor: Peter D. McGain, 42 Mills St., Albert Park, Victoria, Australia

[**] Term: 14 Years

[21] Appl. No.: 58,368

[22] Filed: Jul. 17, 1979

[30] Foreign Application Priority Data

Mar. 9, 1979 [AU] Australia 77281

Mar. 9, 1979 [AU] Australia 77282

[51] Int. Cl. D6-06; D8-08

[52] U.S. Cl. D6/137; D6/125; D8/373

[58] Field of Search D6/114, 125, 137; 248/546, 312, 311.1, 315, 309; 411/477; 47/39, 40; 211/71, 35, 75, 87, 88; D8/373

[56] References Cited

U.S. PATENT DOCUMENTS

3,076,627 2/1963 Huron 248/309

4,133,509 1/1979 Kalbow et al. D6/125

FOREIGN PATENT DOCUMENTS

141781 8/1953 Sweden 411/477

Primary Examiner—B. J. Bullock
Attorney, Agent, or Firm—Schuyler, Banner, Birch, McKie & Beckett

[57] CLAIM

The ornamental design for a supporting bracket for a flower pot or similar article, as shown and described.

DESCRIPTION

FIG. 1 is an exploded perspective view of a supporting bracket for a flower pot or similar article showing my new design;

FIG. 2 is a side elevational view thereof;

FIG. 3 is a top plan view thereof;

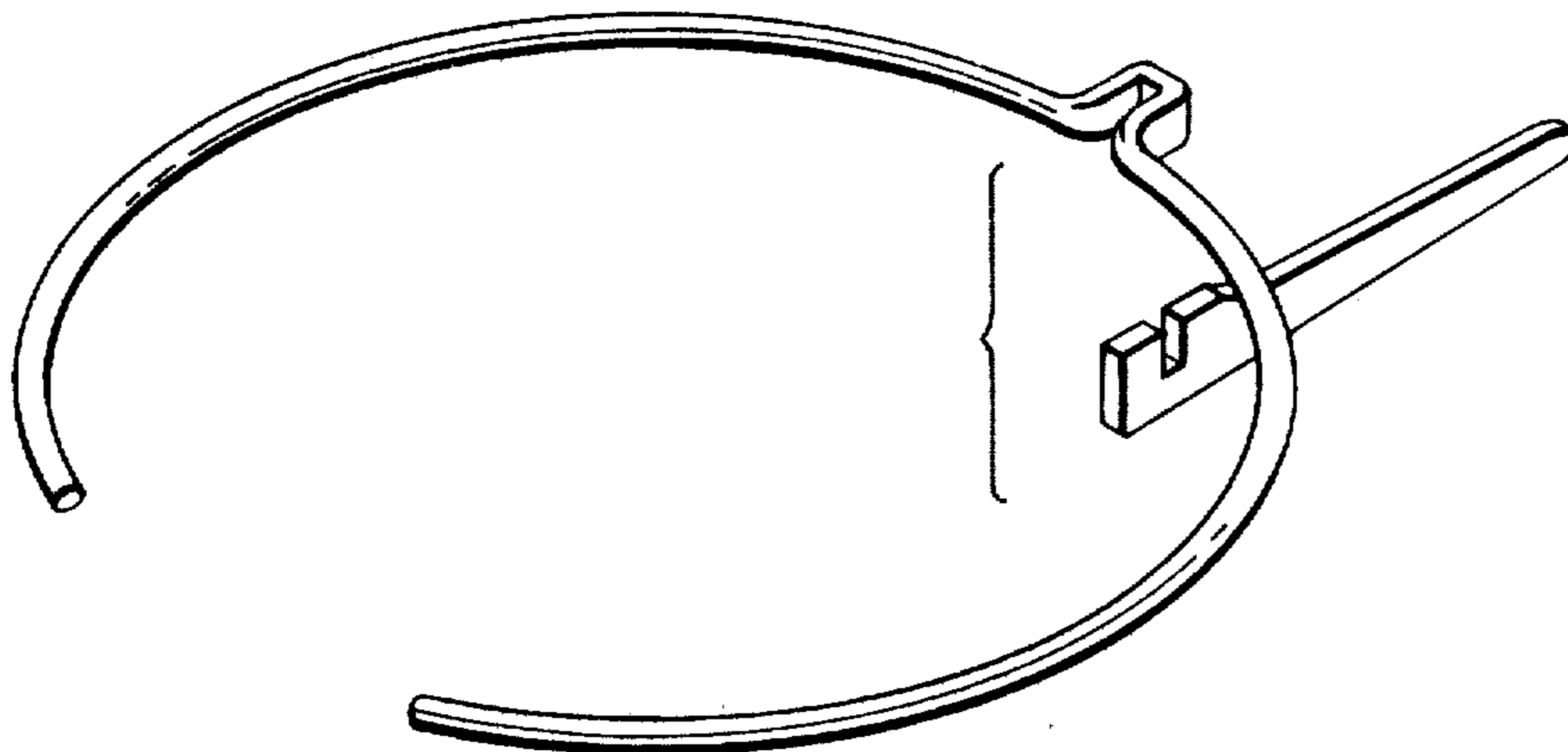
FIG. 4 is a perspective view thereof;

FIG. 5 is a perspective view of a second embodiment of the design of FIG. 1;

FIG. 6 is an exploded perspective view of FIG. 5;

FIG. 7 is a side elevational view of FIG. 5; and

FIG. 8 is a top plan view of FIG. 5.



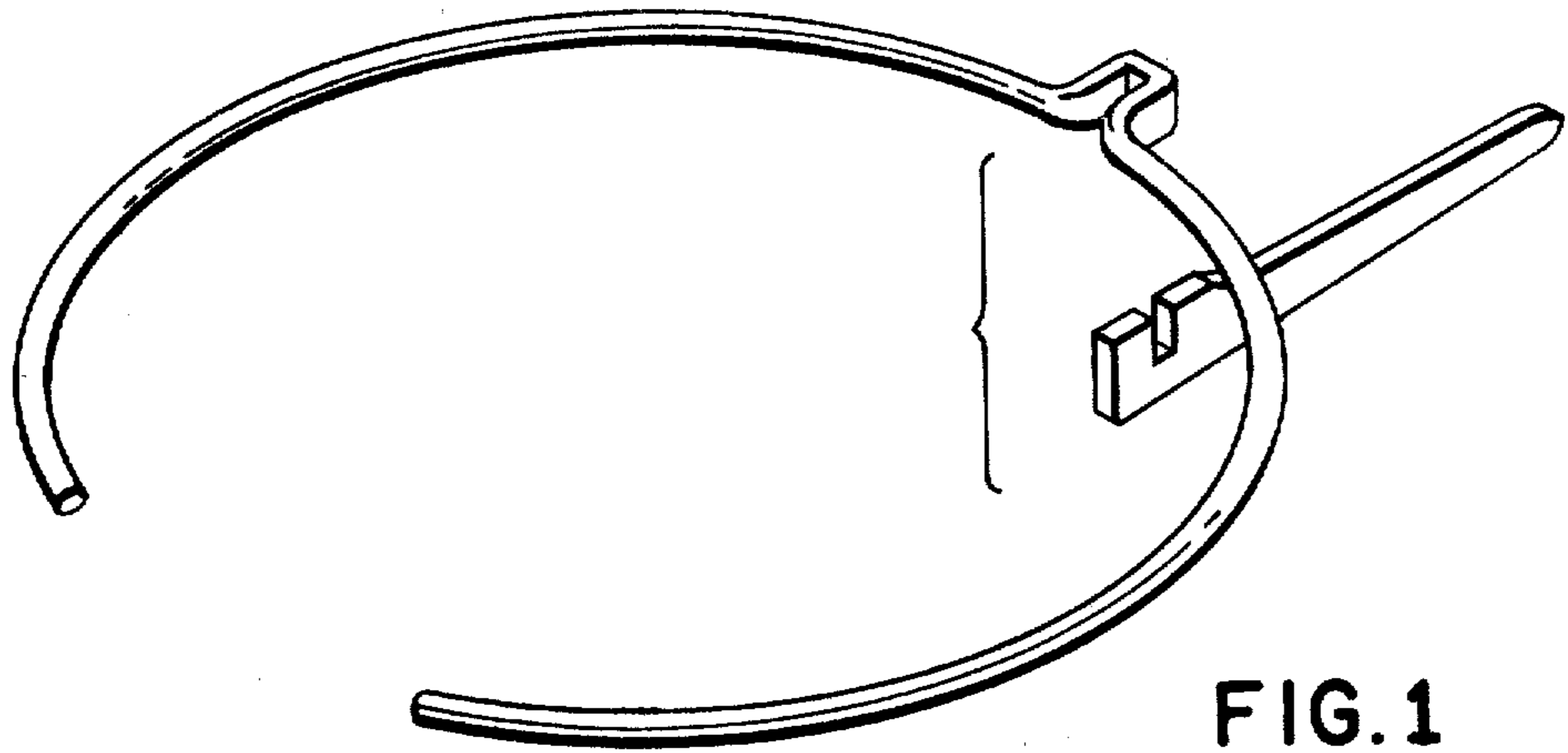


FIG. 1



FIG. 2

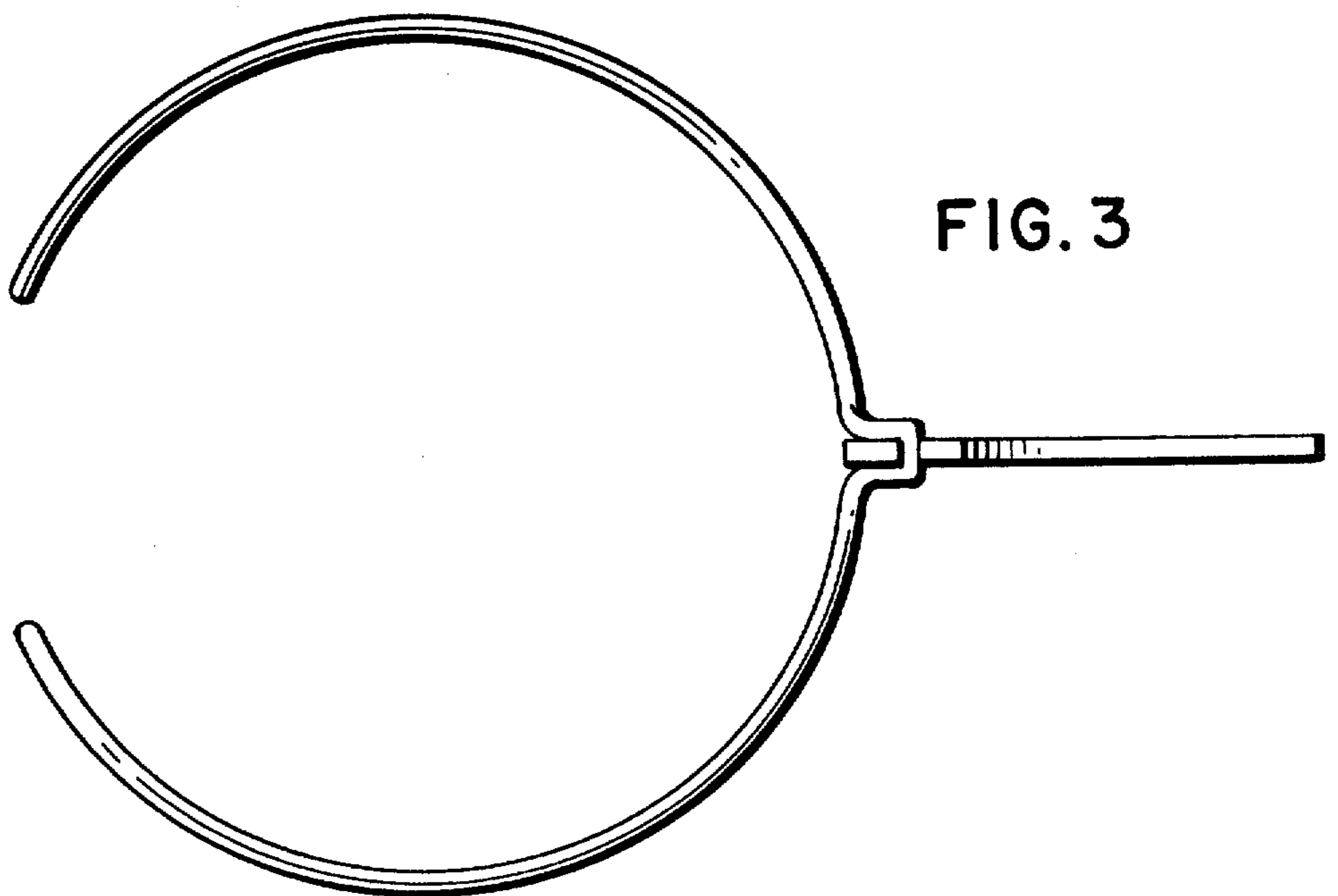


FIG. 3

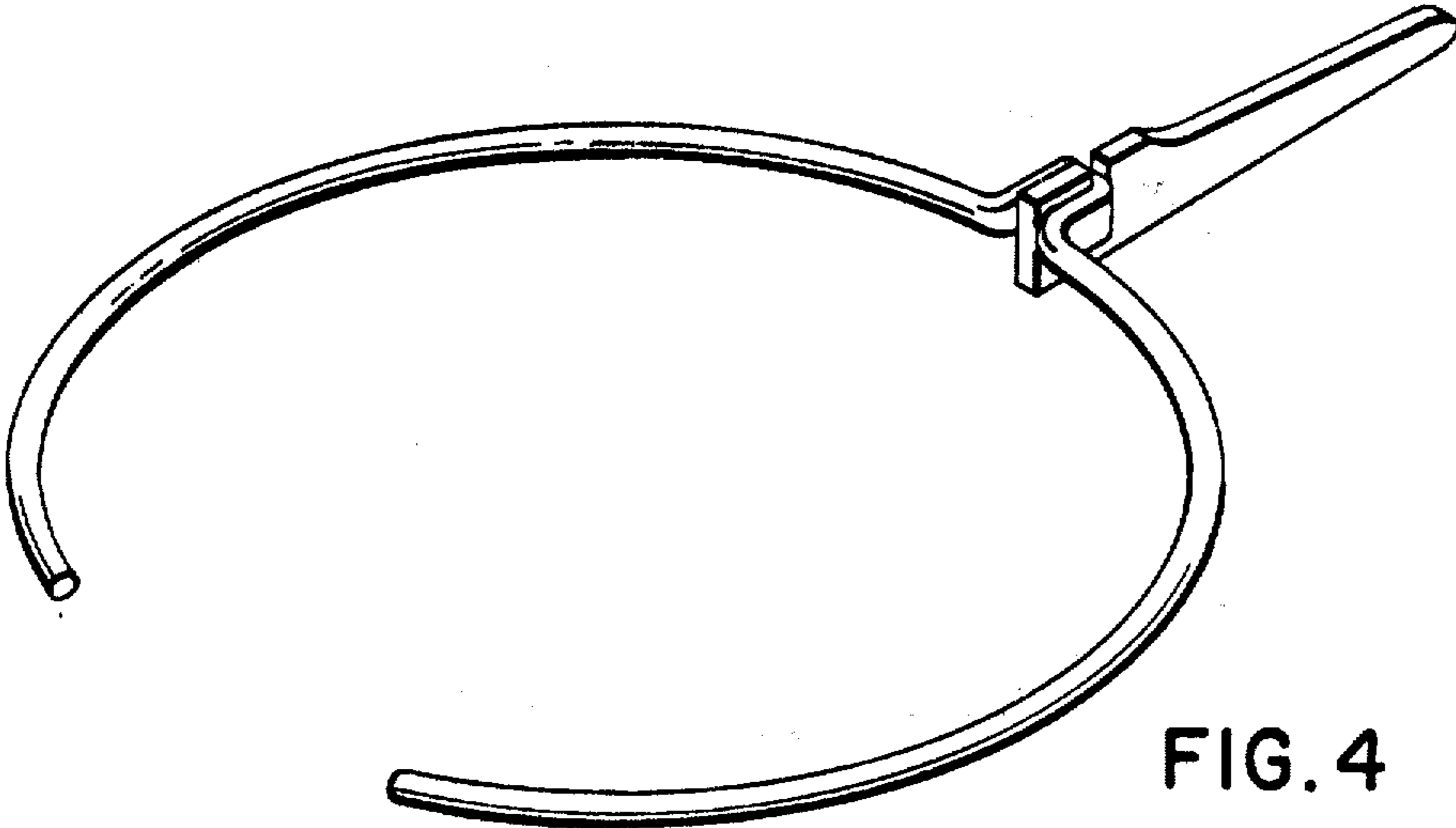


FIG. 4

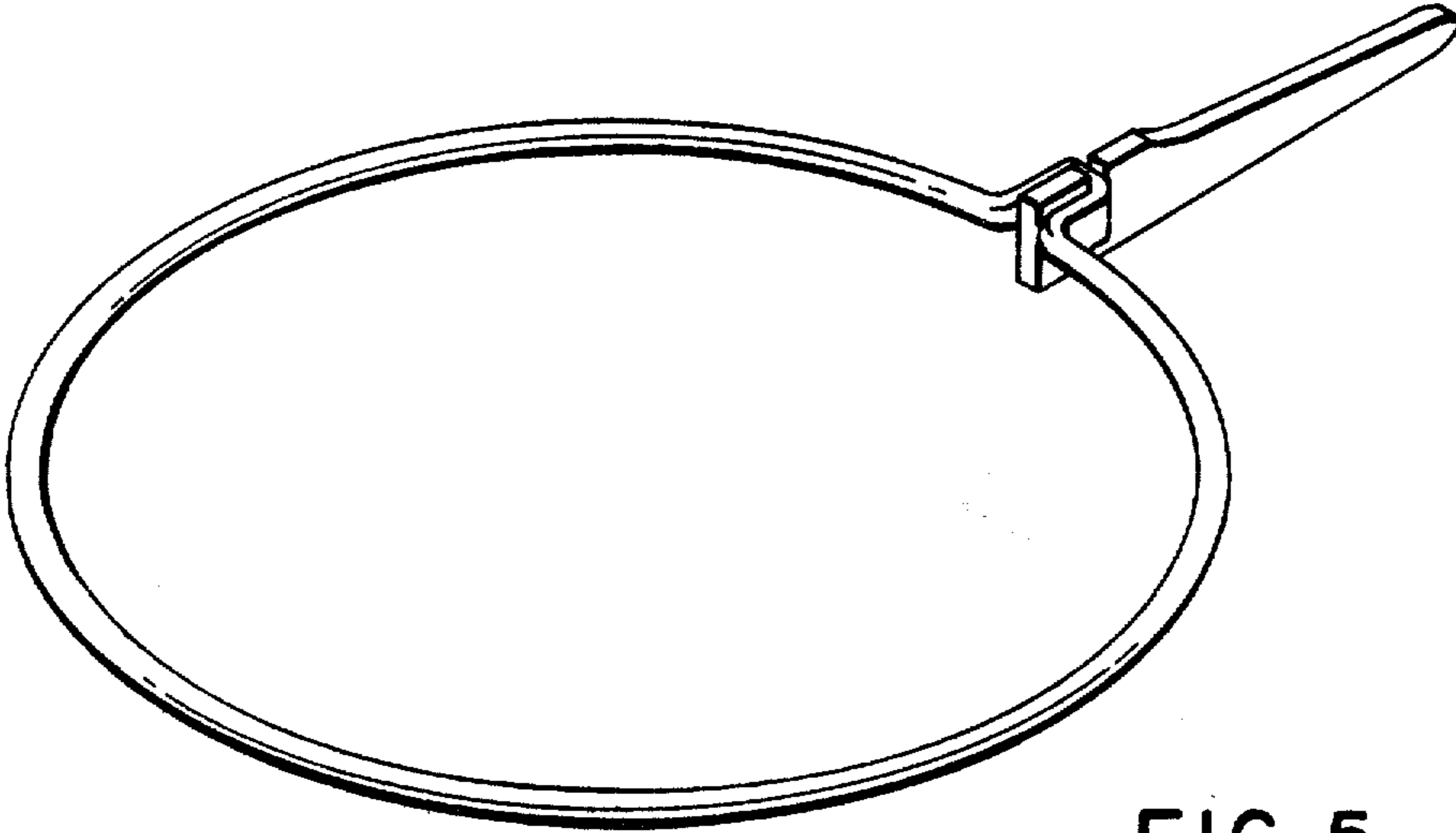


FIG. 5

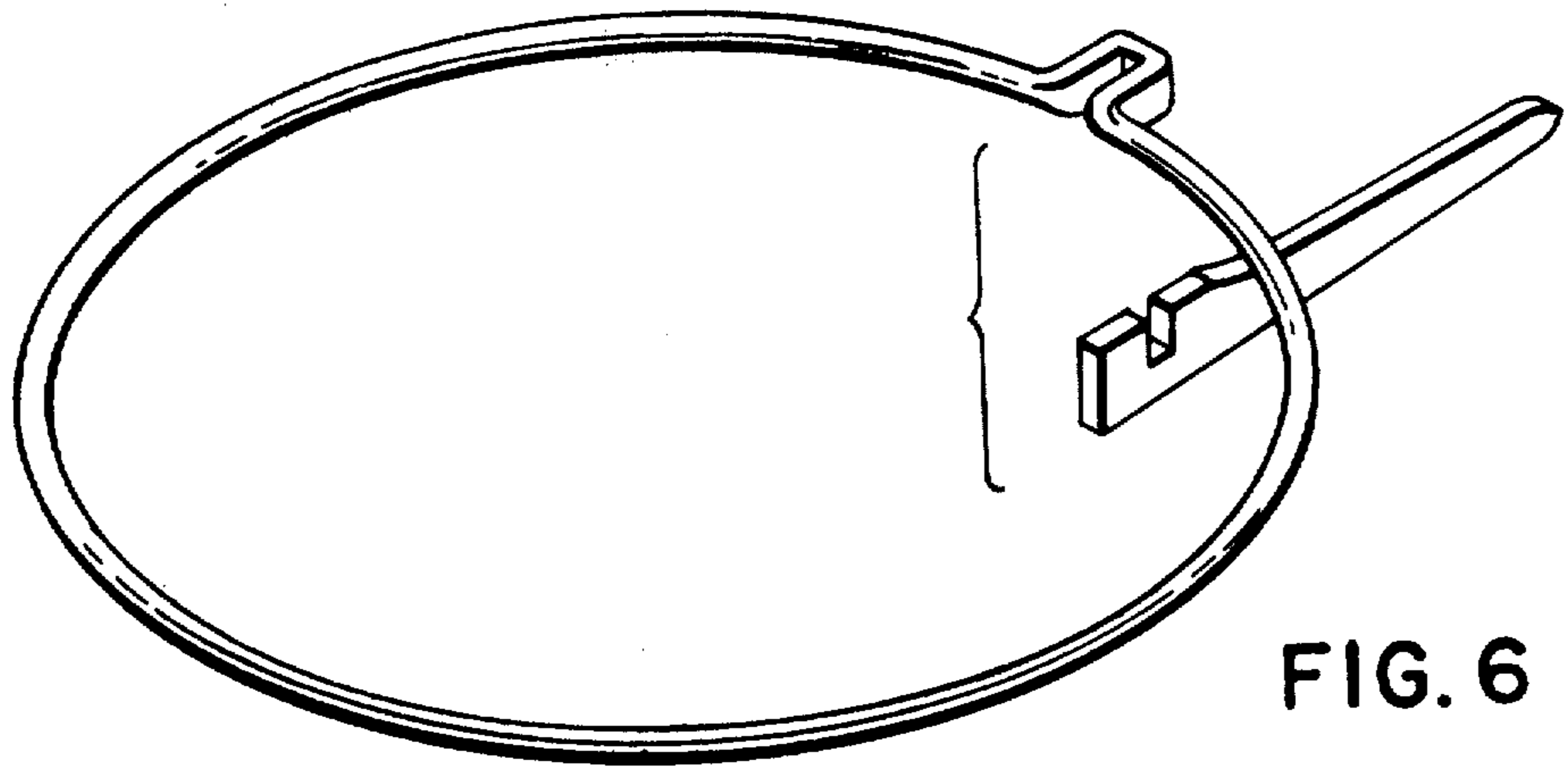


FIG. 6

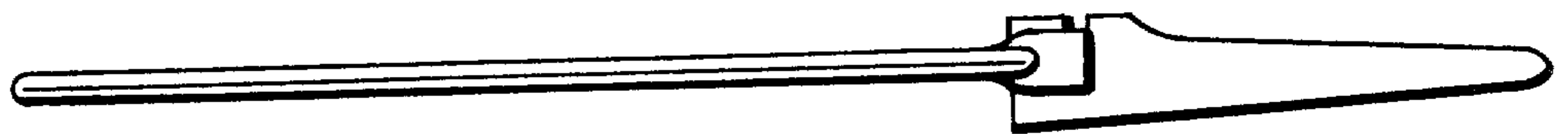


FIG. 7

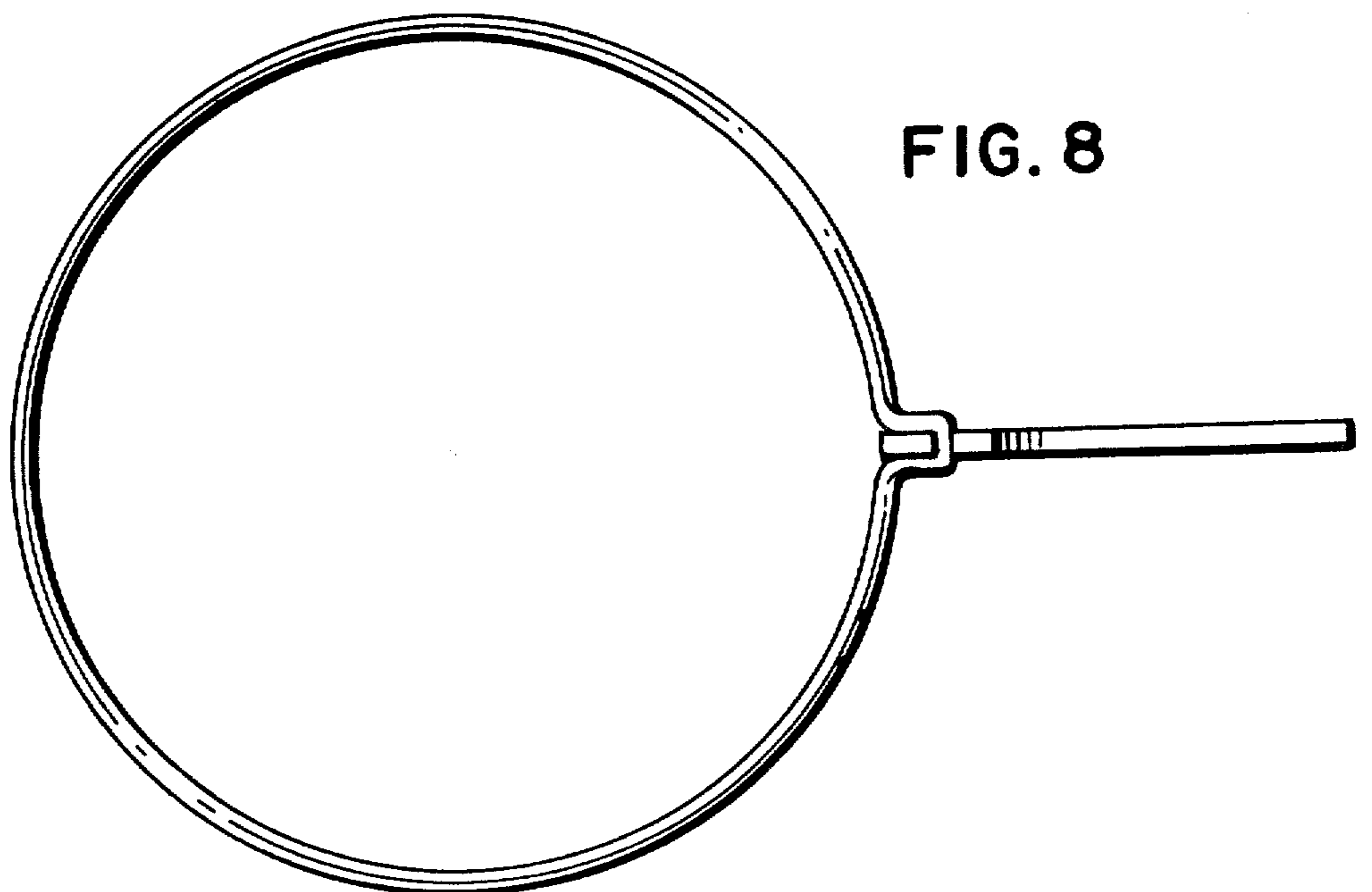


FIG. 8