

[54] COMBINED SOAP AND RAG HOLDER

[76] Inventor: Arlene L. Mathews, 7634 Long,
Shawnee Mission, Kans. 66216

[**] Term: 14 Years

[21] Appl. No.: 255,104

[22] Filed: Apr. 17, 1981

[51] Int. Cl. D06-04

[52] U.S. Cl. D6/89; D6/86;
D6/91; D6/100; D6/130; D6/186

[58] Field of Search D6/85, 151, 89, 90,
D6/86, 91, 100, 181, 186, 187, 130; 211/123,
126; 108/29; D34/55, 58

[56] References Cited

U.S. PATENT DOCUMENTS

D. 103,719	3/1937	Flanagan	D6/187
D. 168,746	2/1953	Laciura	D6/91
D. 248,906	8/1978	Johnson et al.	D6/91 X
1,239,392	9/1917	Hessong	D6/89 X
1,551,434	8/1925	Shiffer	D6/91 X

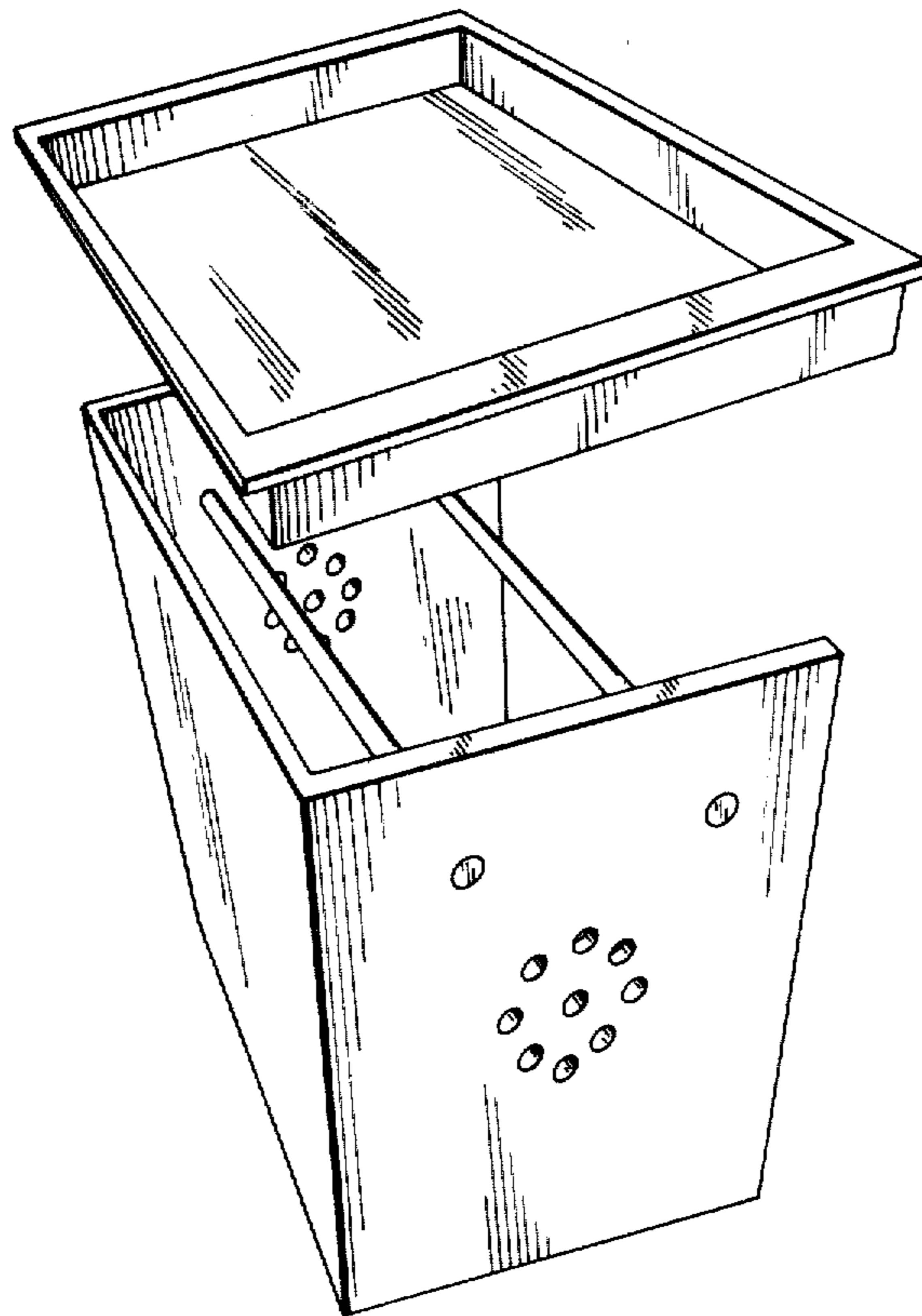
Primary Examiner—Joel Stearman
Assistant Examiner—Carmen H. Vales
Attorney, Agent, or Firm—D. A. N. Chase; Michael
Yakimo, Jr.

[57] CLAIM

The ornamental design for a combined soap and rag holder, as shown and described.

DESCRIPTION

FIG. 1 is a perspective view of a combined soap and rag holder showing my new design; and FIG. 2 is an exploded perspective view thereof.



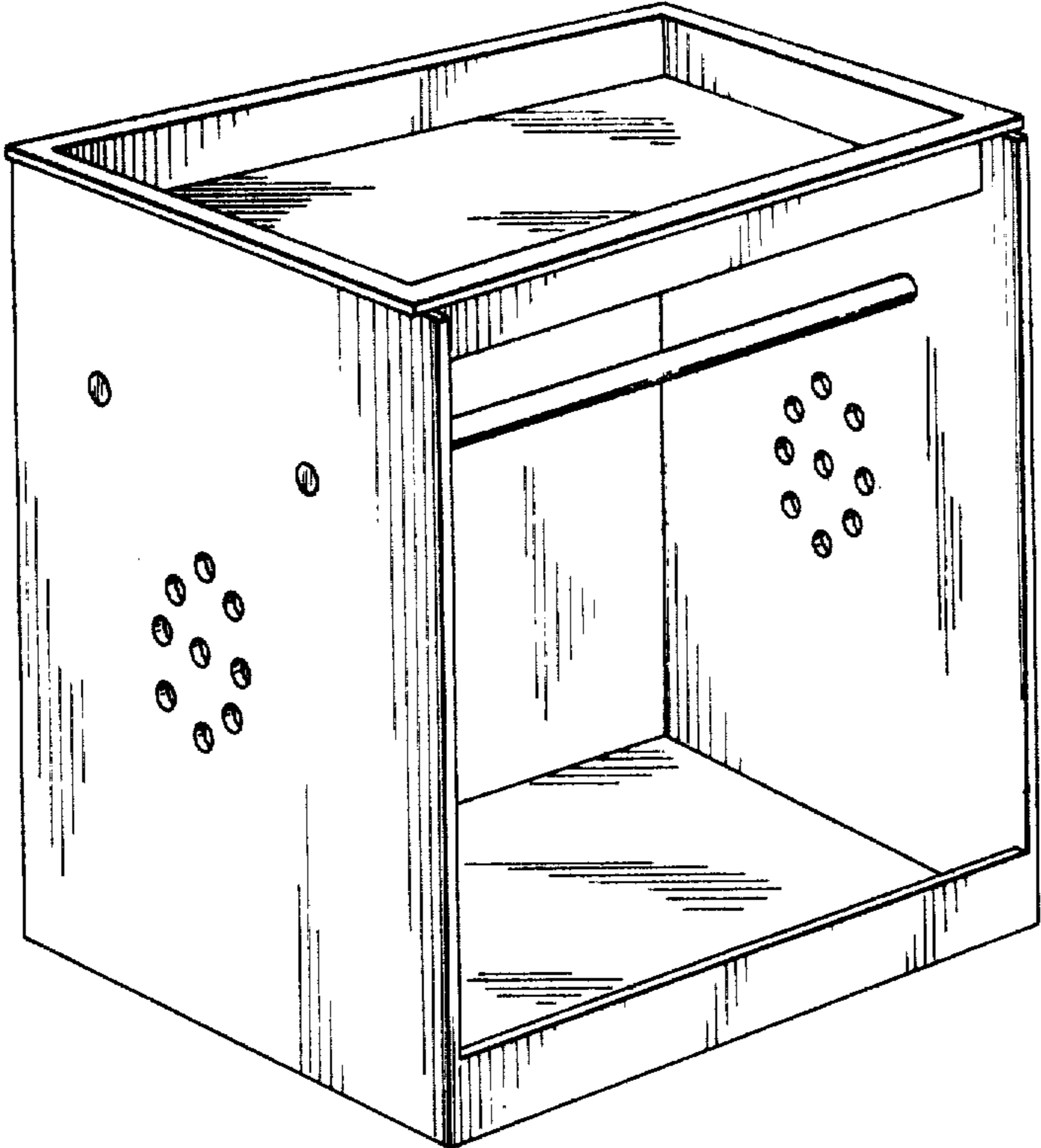


Fig. 1.

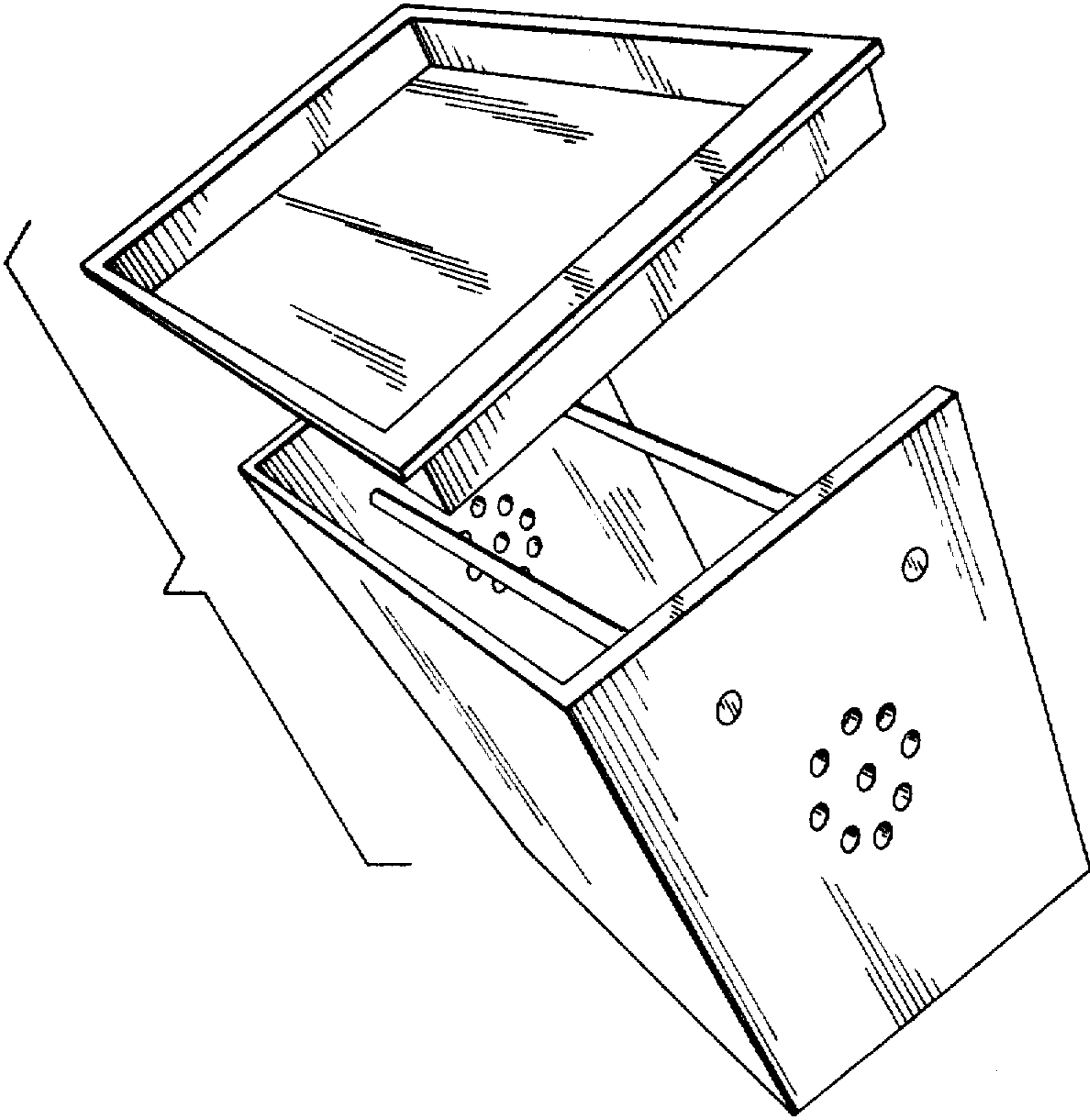


Fig. 2.