

[54] BED

[76] Inventor: James R. Hull, 148 S. Westgate Ave., Los Angeles, Calif. 90049

[\*\*] Term: 14 Years

[21] Appl. No.: 228,093

[22] Filed: Jan. 26, 1981

[51] Int. Cl. .... D6-01

[52] U.S. Cl. .... D6/81; D6/5; D6/13; D6/83

[58] Field of Search ..... D6/13, 79, 5, 81-84, D6/198

[56] References Cited

U.S. PATENT DOCUMENTS

- D. 153,335 4/1949 Brand ..... D6/13
- D. 217,322 4/1970 Eriksson ..... D6/13
- 2,651,057 9/1953 Power ..... D6/13

OTHER PUBLICATIONS

*House and Garden*, 2-75, p. 42, top Bedstead. Willow and Reed, Inc., E. Elmhurst, N.Y., "Additions 79", Cat., ©1979, p. titled "The Sakura Group", (Auxiliary Search Files, Box "C-6", Furniture Co's. Cats. Collection).

Primary Examiner—Jane E. Corrigan  
Attorney, Agent, or Firm—Keith D. Beecher

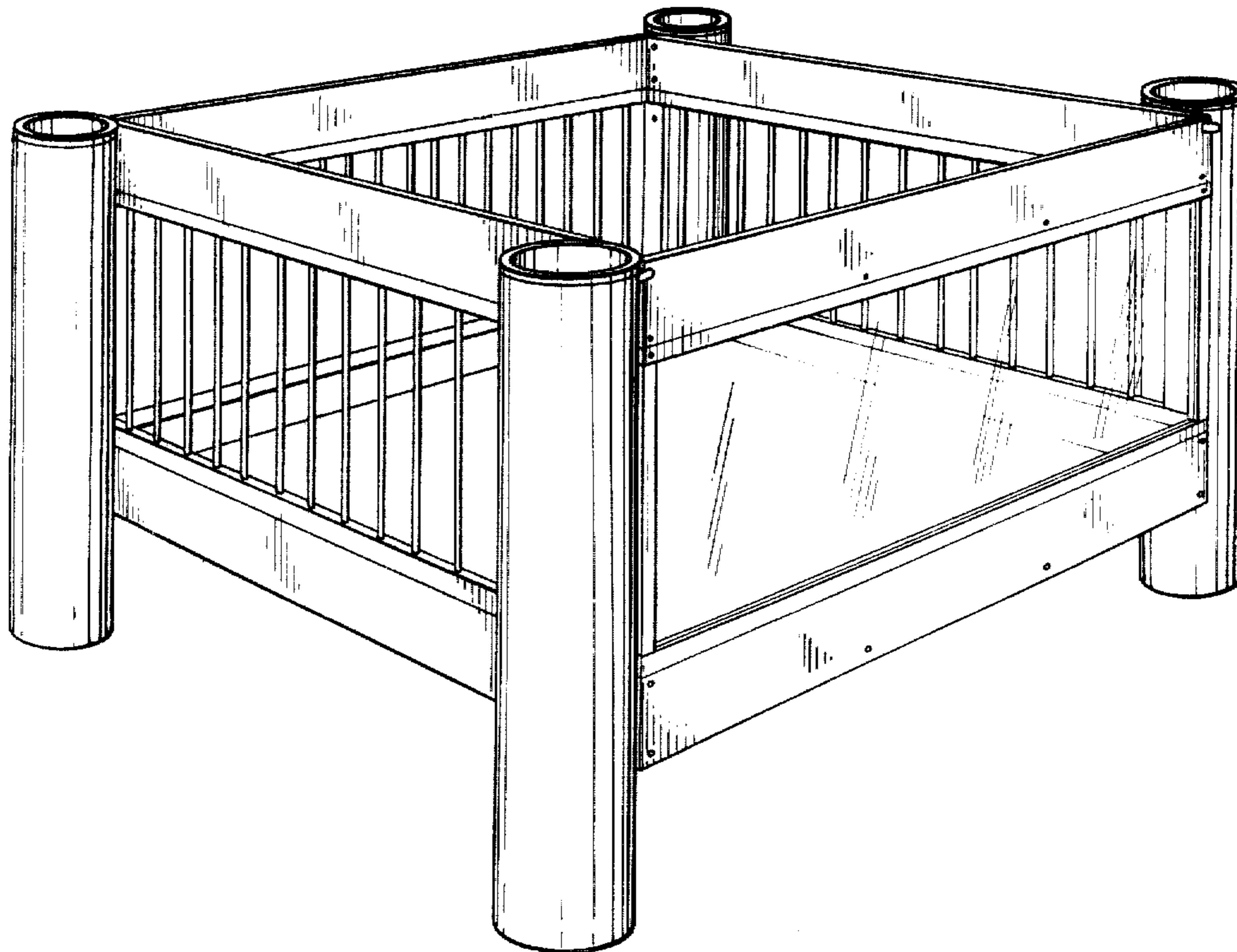
[57] CLAIM

The ornamental design for a bed, substantially as shown and described.

DESCRIPTION

The FIGURE is a perspective view of a bed showing my new design.

The hidden surfaces of the two ends of the bed are respectively identical to the exposed surfaces. The hidden surface of the left-hand side of the bed in the drawing is identical to the exposed surface of the left-hand end of the bed.



U.S. Patent

Dec. 20, 1983

Des. 271,827

