

[54] TRASH CAN COVER
 [75] Inventor: Robert G. Hartman, Greensboro, N.C.
 [73] Assignee: Zarn, Inc., Reidsville, N.C.
 [**] Term: 14 Years
 [21] Appl. No.: 231,435
 [22] Filed: Feb. 4, 1981
 [51] Int. Cl. D7-07
 [52] U.S. Cl. D34/11
 [58] Field of Search D34/1-11; 220/17

[56] **References Cited**
U.S. PATENT DOCUMENTS
 D. 95,877 6/1935 Van Doren et al. D34/11 X

D. 255,865 7/1980 Hartman et al. D34/11

OTHER PUBLICATIONS

Sears Merchandise List issued 10-5-1977-pp. 21 and 24-Trash Cans #63761 and #63701.

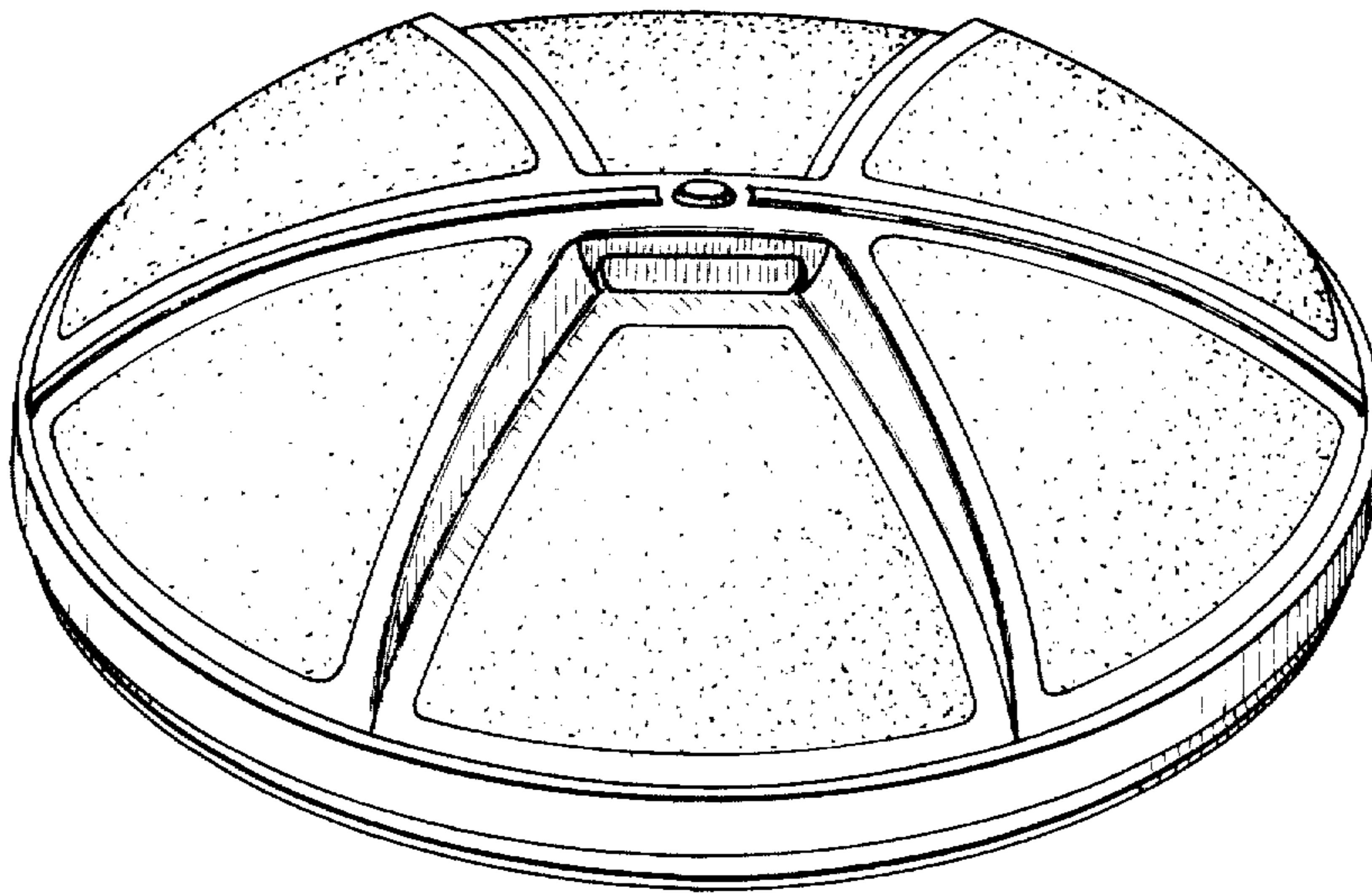
Primary Examiner—Catherine E. Kemper

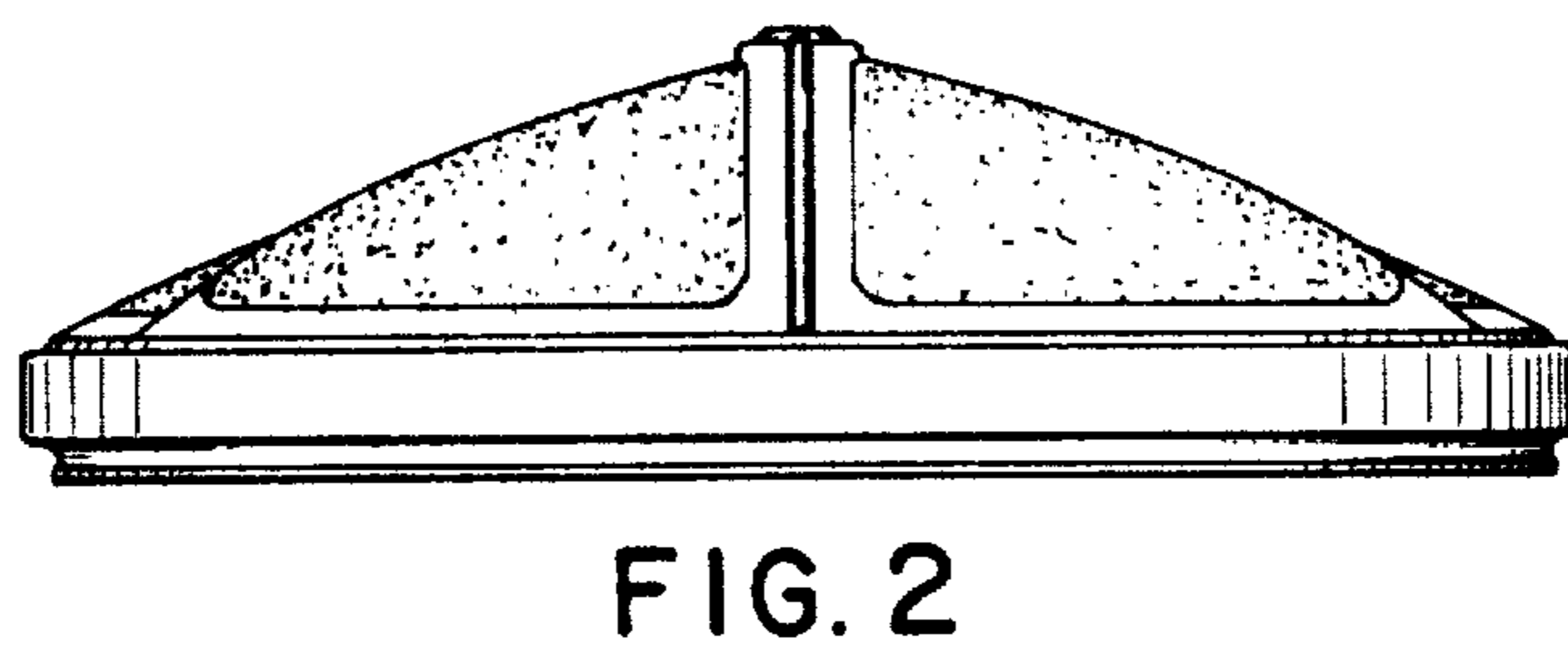
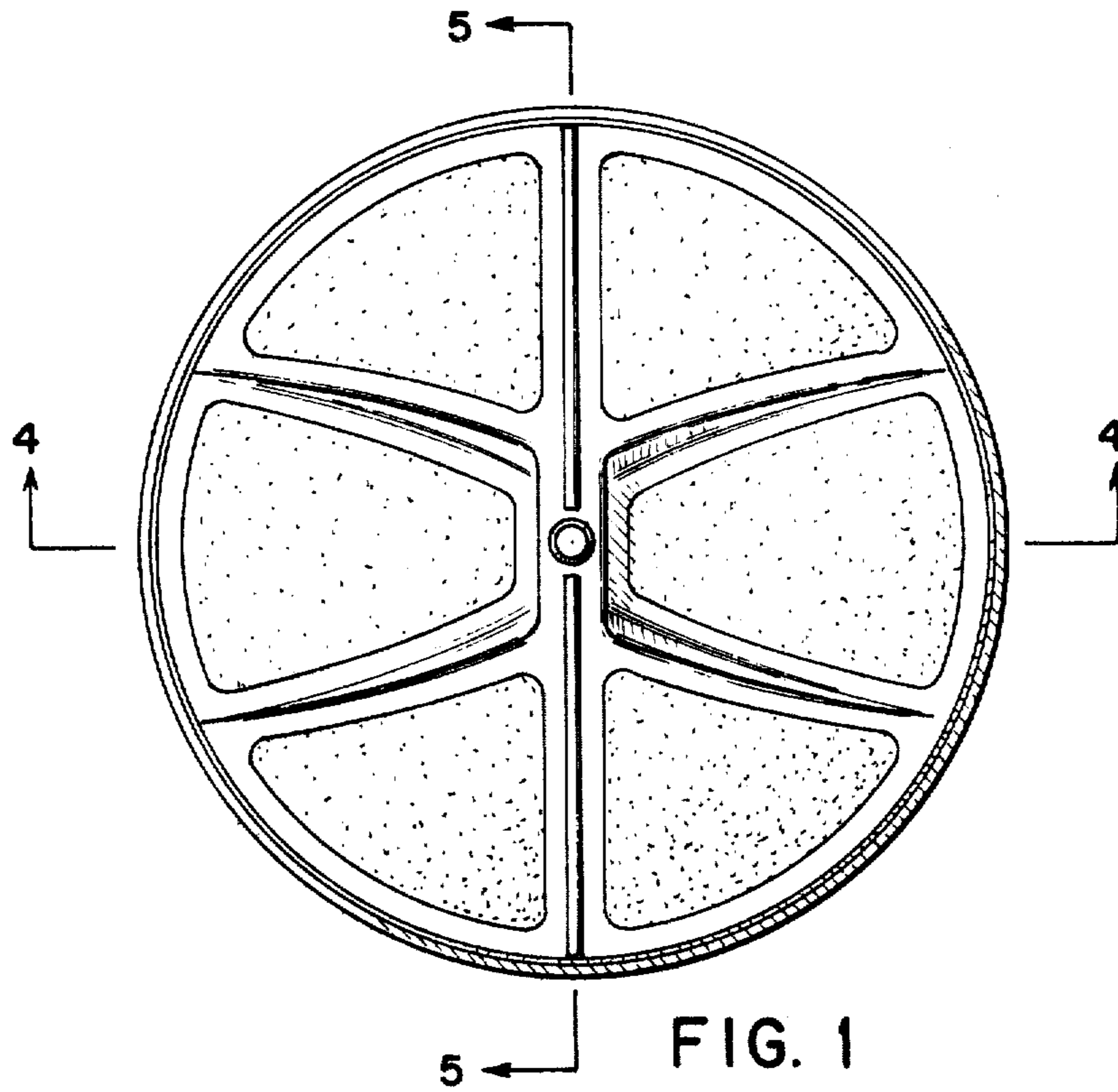
[57] **CLAIM**

The ornamental design for a trash can cover, as shown.

DESCRIPTION

FIG. 1 is a top plan view of a trash can cover embodying my new design;
 FIG. 2 is a bottom end view of FIG. 1;
 FIG. 3 is a right end perspective view of FIG. 2;
 FIG. 4 is a sectional view taken along line 4-4 of FIG. 1; and
 FIG. 5 is a sectional view taken along line 5-5 of FIG. 1.





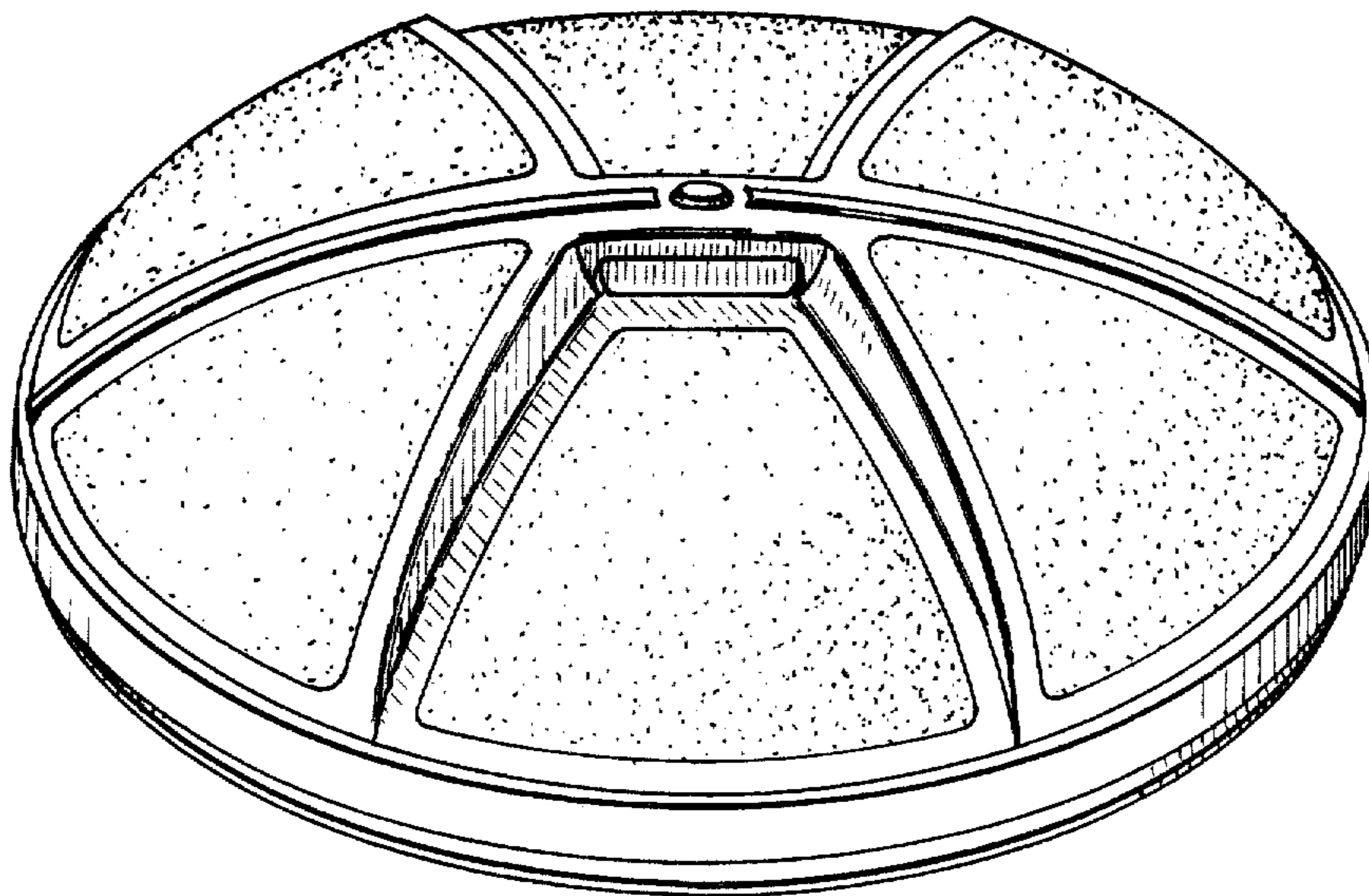


FIG. 3

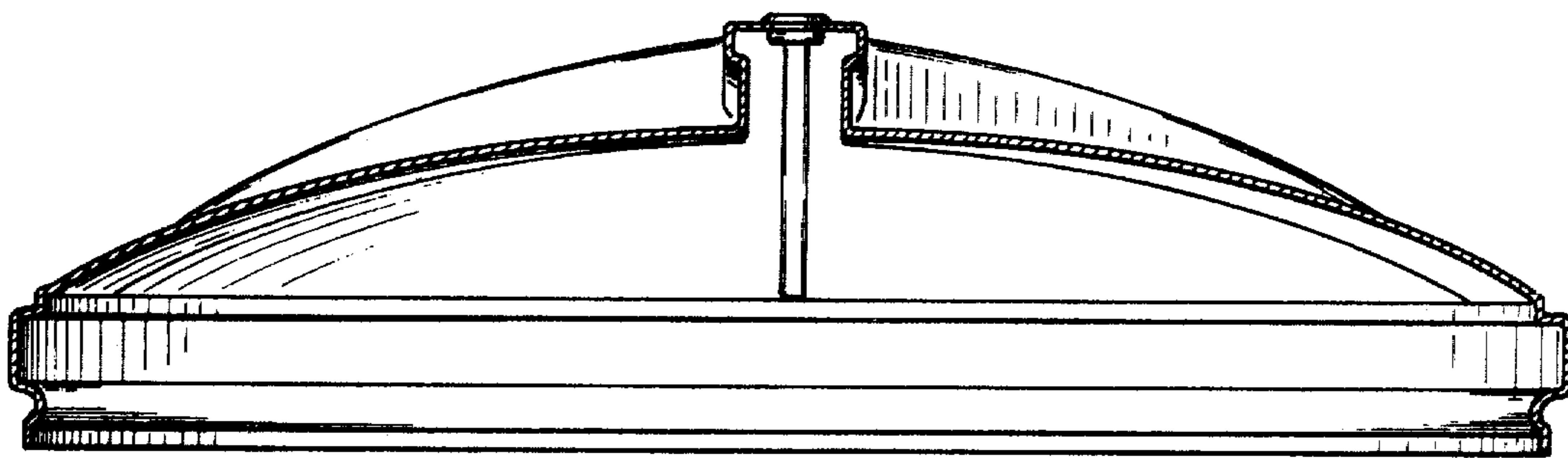


FIG. 4

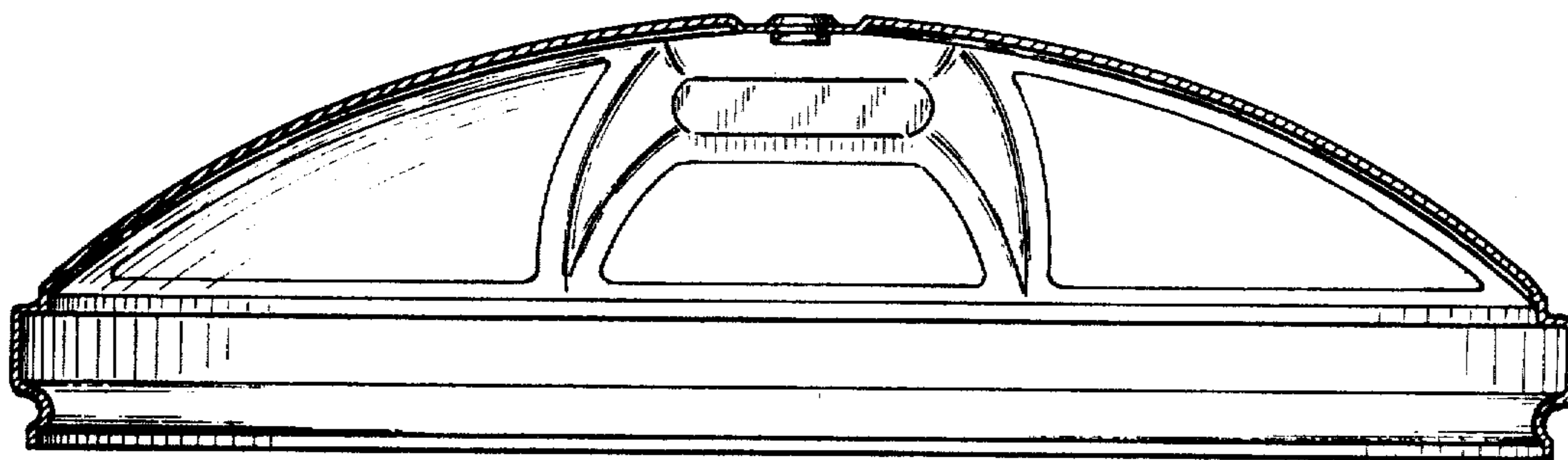


FIG. 5