

[54] **VACUUM HEAD FOR CLEANING UNDERWATER SURFACES**

[76] Inventor: **Kenneth E. Price**, 1534 Channelwood Dr., Whittier, Calif. 90601

[\*\*] Term: **14 Years**

[21] Appl. No.: **205,873**

[22] Filed: **Nov. 10, 1980**

[51] Int. Cl. .... **D15-05**

[52] U.S. Cl. .... **D32/32**

[58] Field of Search ..... **D32/32, 33, 31, 34, D32/22, 21, 25; 15/1.7**

[56] **References Cited**

**U.S. PATENT DOCUMENTS**

D. 189,124	11/1960	Kelnhofer .....	D32/22
D. 198,443	6/1964	Mango et al. ....	D32/22
D. 206,859	2/1967	Polizzi .....	D32/21
D. 259,936	7/1981	Price .....	32/32
2,634,902	4/1953	Brown .....	15/409
3,630,364	12/1971	Johnston .....	15/409 X
3,795,027	3/1974	Lindberg .....	15/1.7
4,040,864	8/1977	Steeves .....	15/1.7
4,094,031	6/1978	Cellini .....	15/1.7
4,240,173	12/1980	Sherrill .....	15/1.7
4,275,474	6/1981	Woodward .....	15/1.7

**FOREIGN PATENT DOCUMENTS**

758796	11/1933	France .....	15/1.7
216214	6/1964	Sweden .....	15/1.7
613364	11/1948	United Kingdom .....	15/409
961828	6/1964	United Kingdom .....	15/1.7

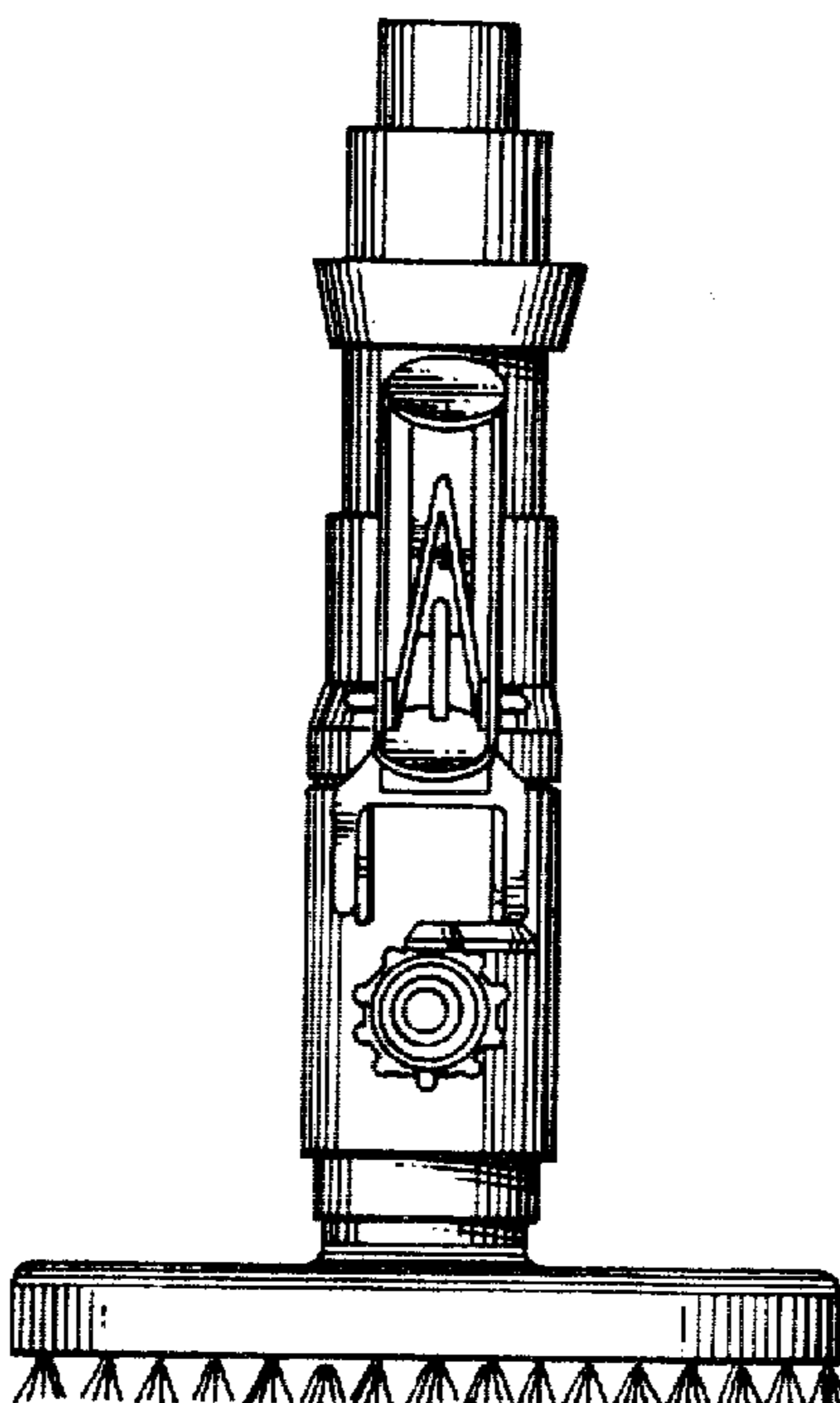
*Primary Examiner*—Wallace R. Burke  
*Assistant Examiner*—Horace B. Fay Jr.  
*Attorney, Agent, or Firm*—Christie, Parker & Hale

[57] **CLAIM**

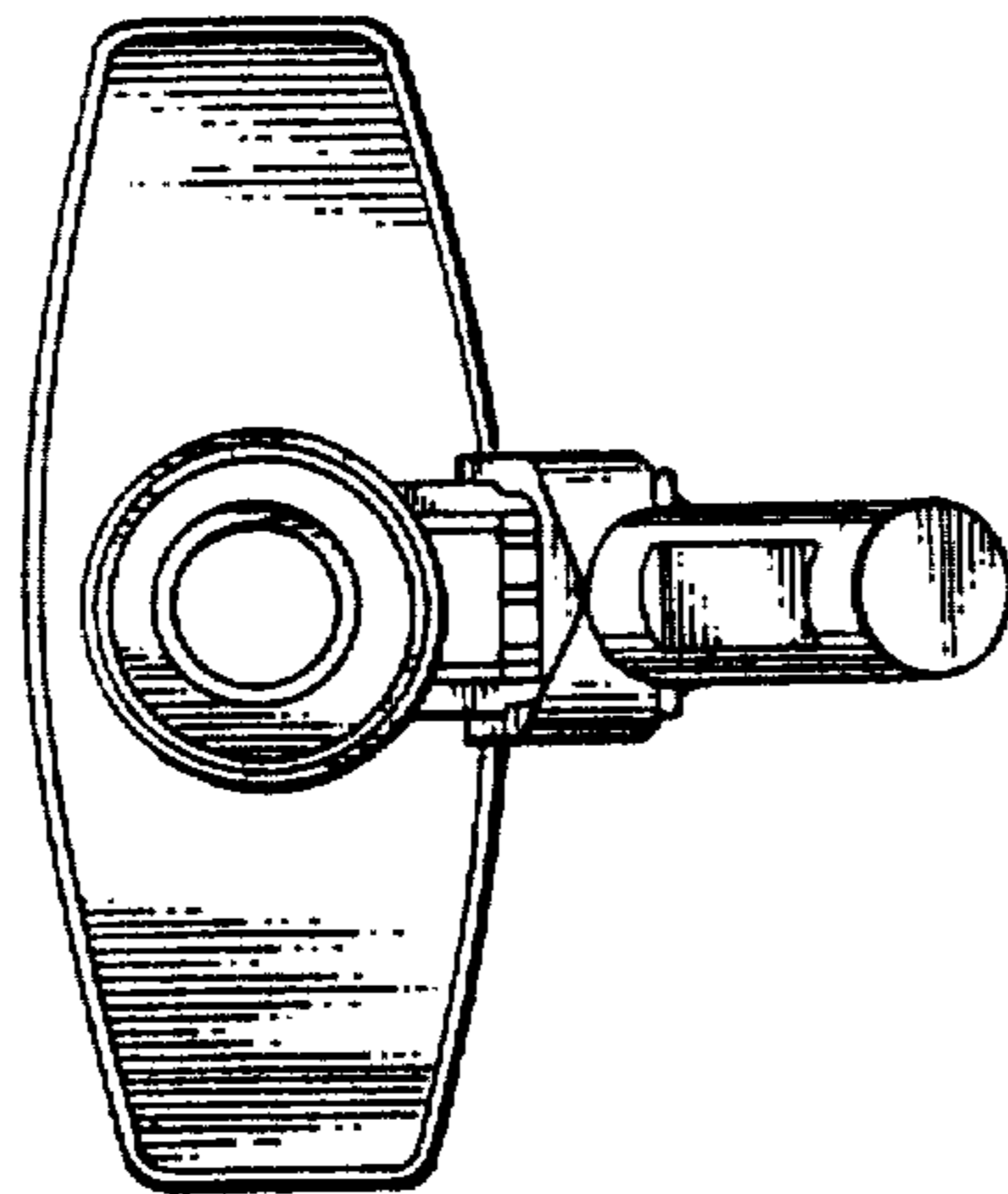
The ornamental design for a vacuum head for cleaning underwater surfaces, substantially as shown and described.

**DESCRIPTION**

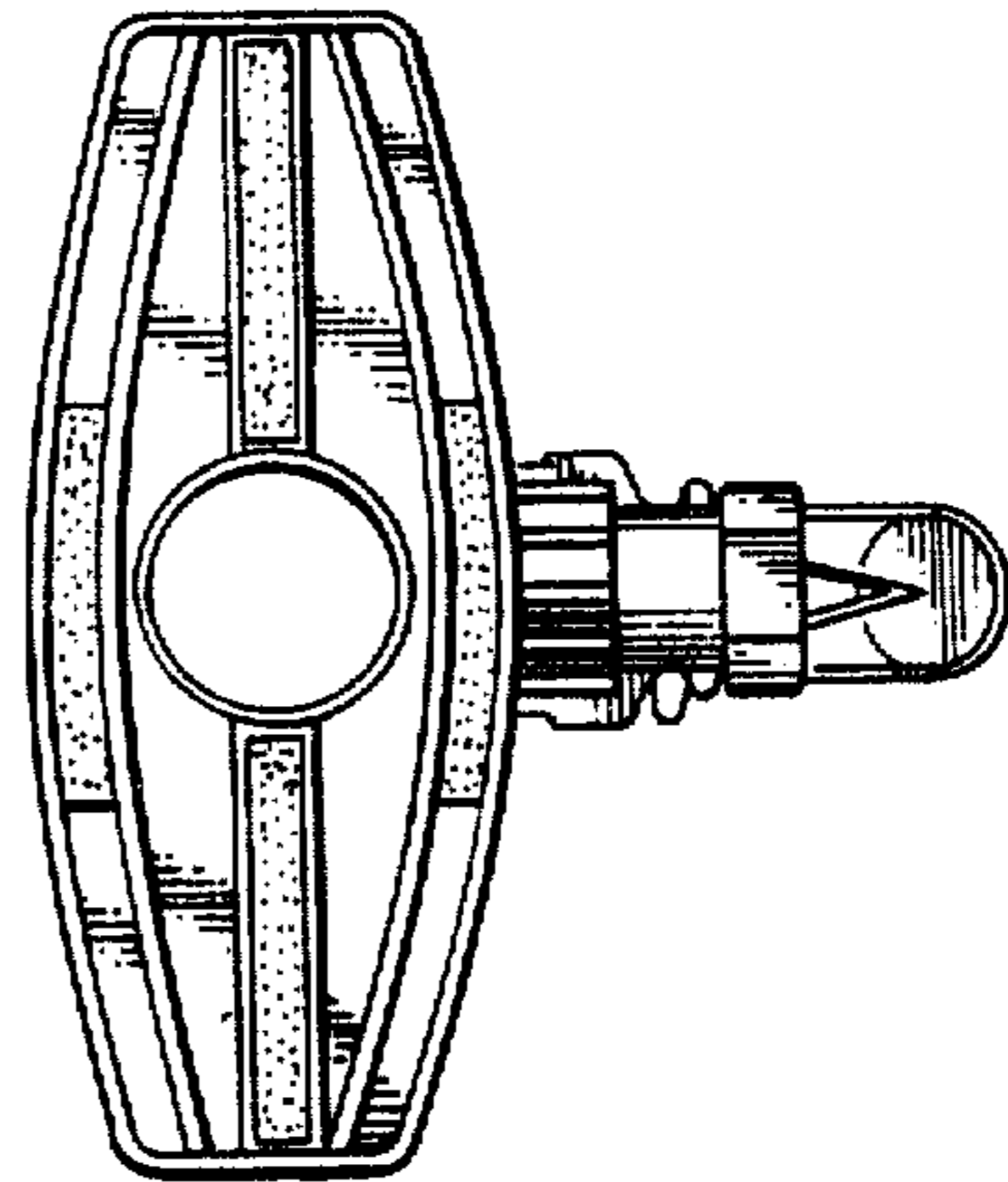
FIG. 1 is a top plan view a vacuum head for cleaning underwater surfaces showing my new design; FIG. 2 is a bottom plan view thereof; FIG. 3 is a left side elevational view thereof, a right side elevational view being a mirror image of FIG. 3; FIG. 4 is a rear elevational view thereof; FIG. 5 is a front elevational view thereof; FIG. 6 is a left side elevational view of a second embodiment of a vacuum head for cleaning underwater surfaces showing my new design, a right side elevational view thereof being a mirror image of FIG. 6; FIG. 7 is a top plan view thereof; FIG. 8 is a bottom plan view thereof; FIG. 9 is a front elevational view thereof; and FIG. 10 is a rear elevational view thereof.



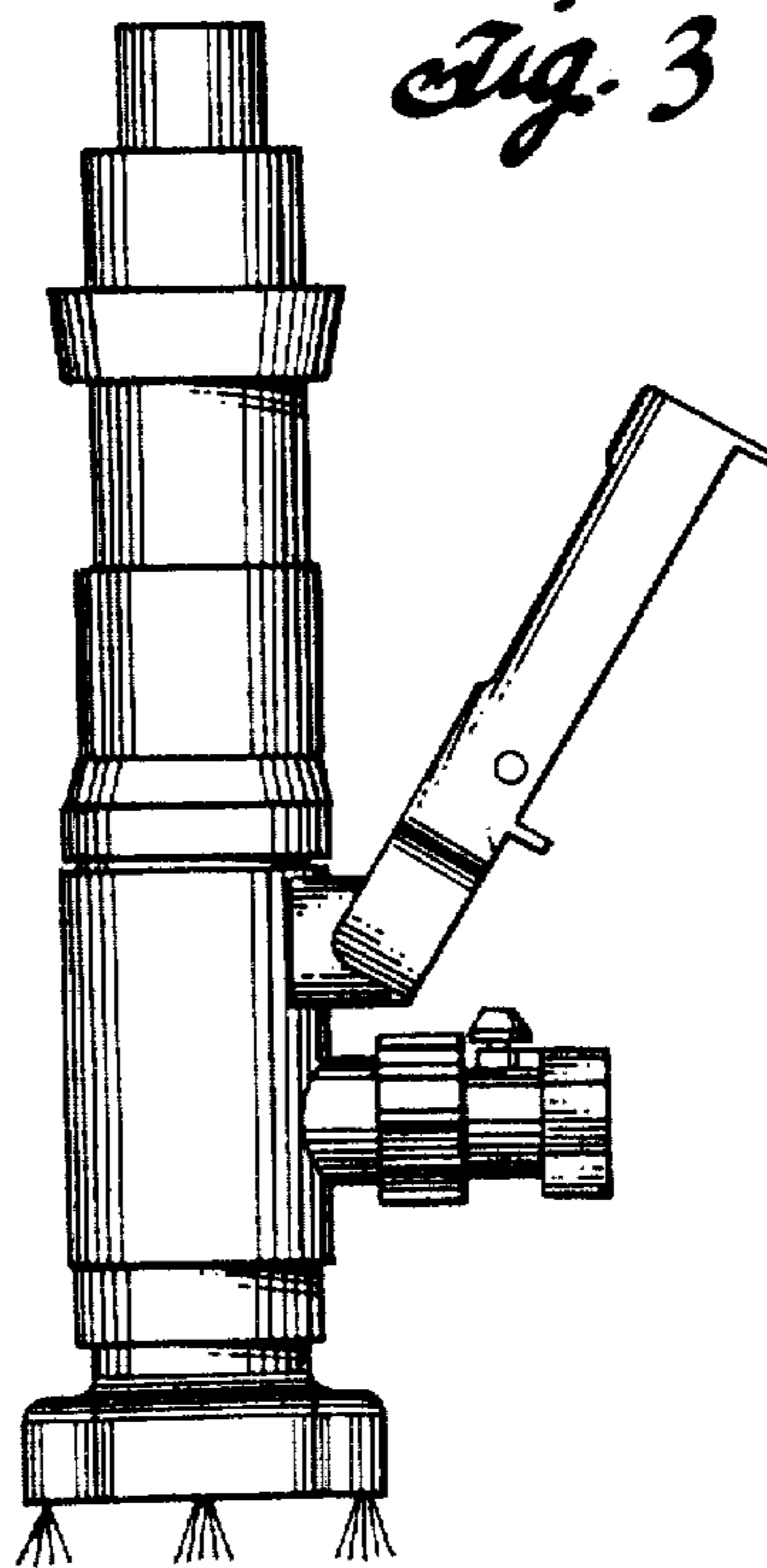
*Fig. 1*

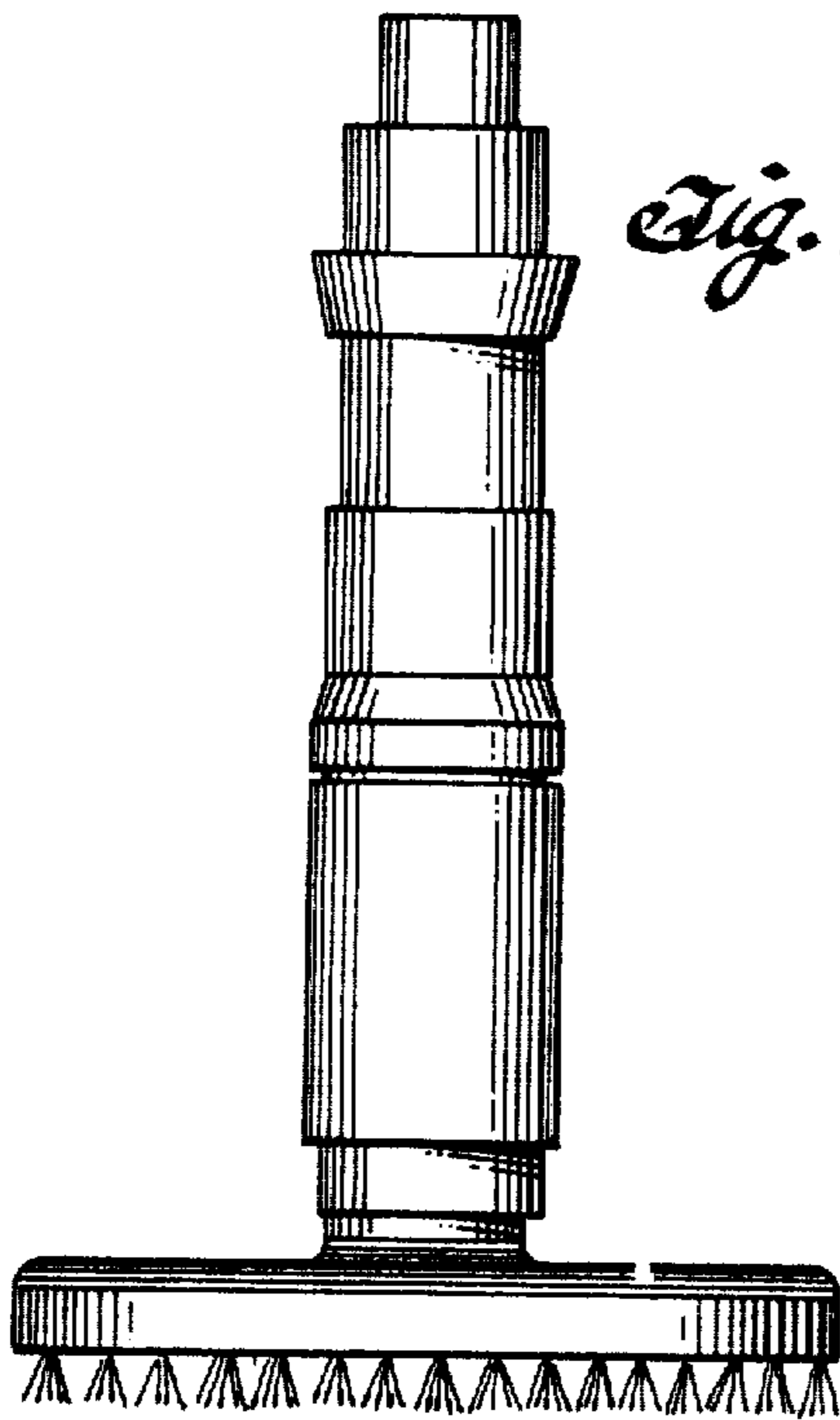


*Fig. 2*

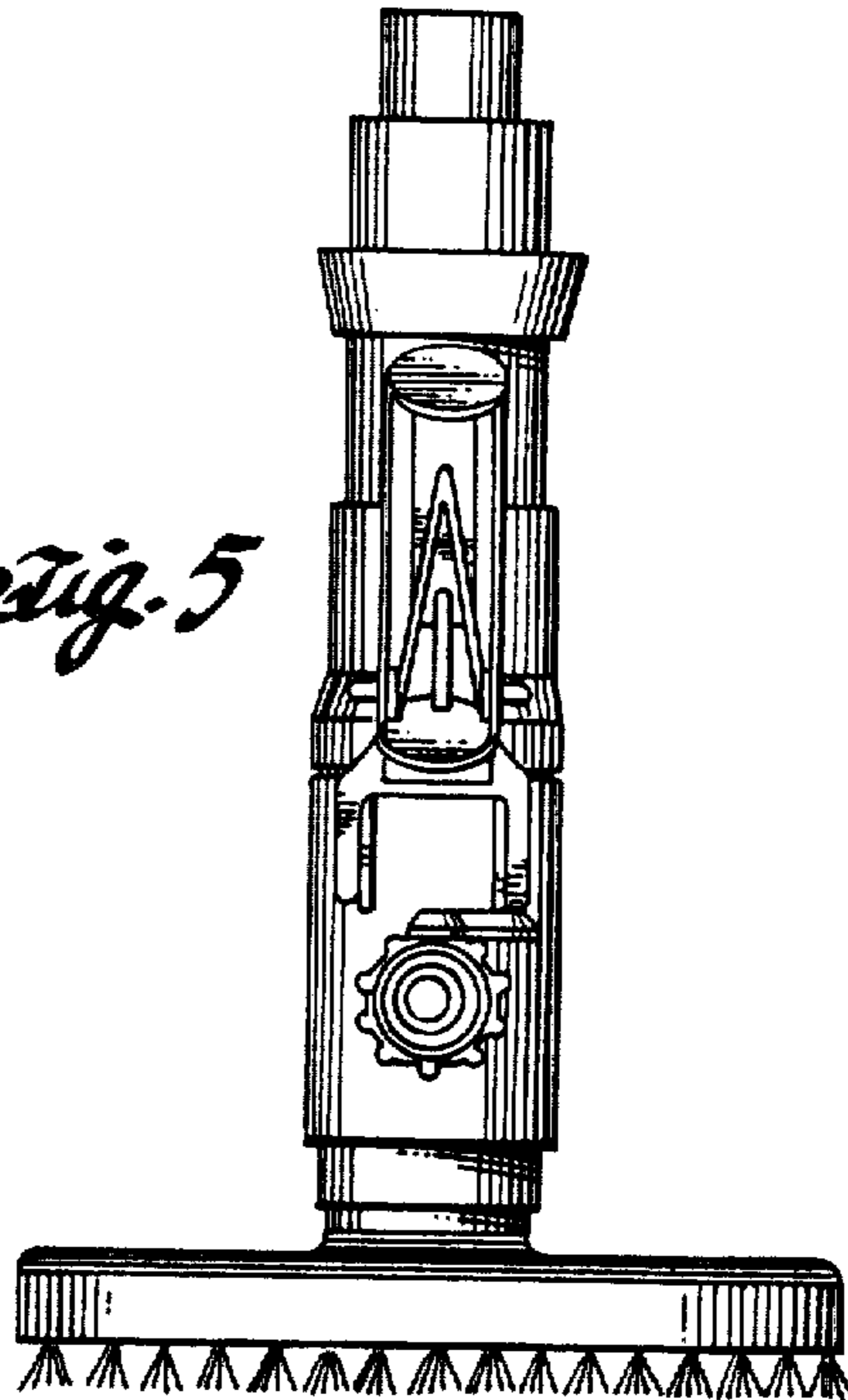


*Fig. 3*



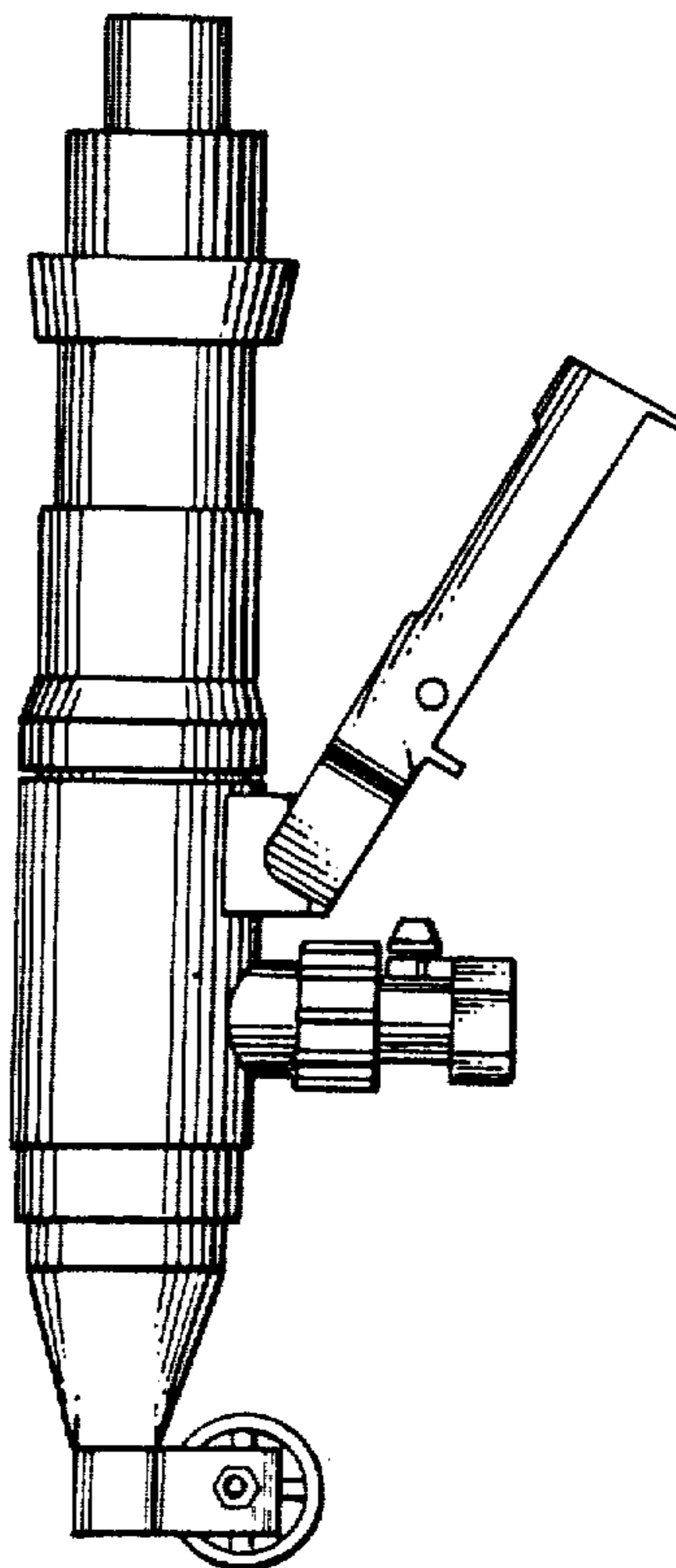


*Fig. 4*

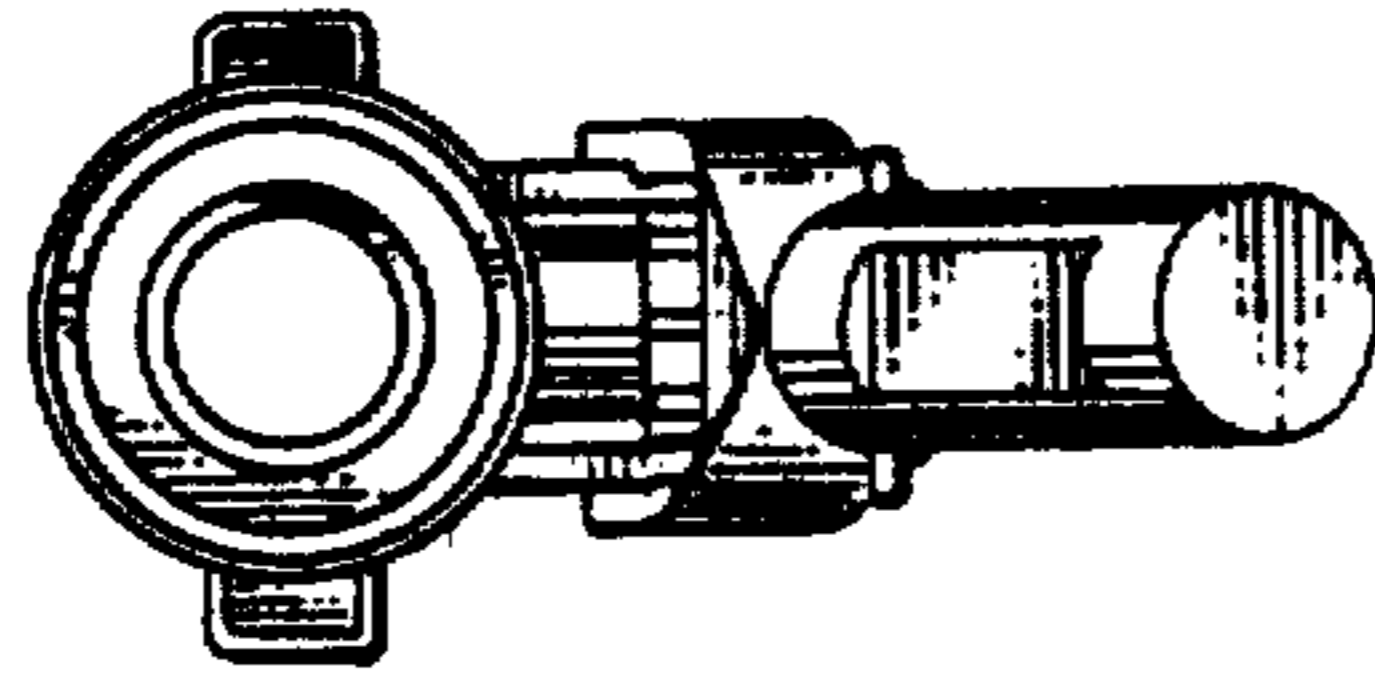


*Fig. 5*

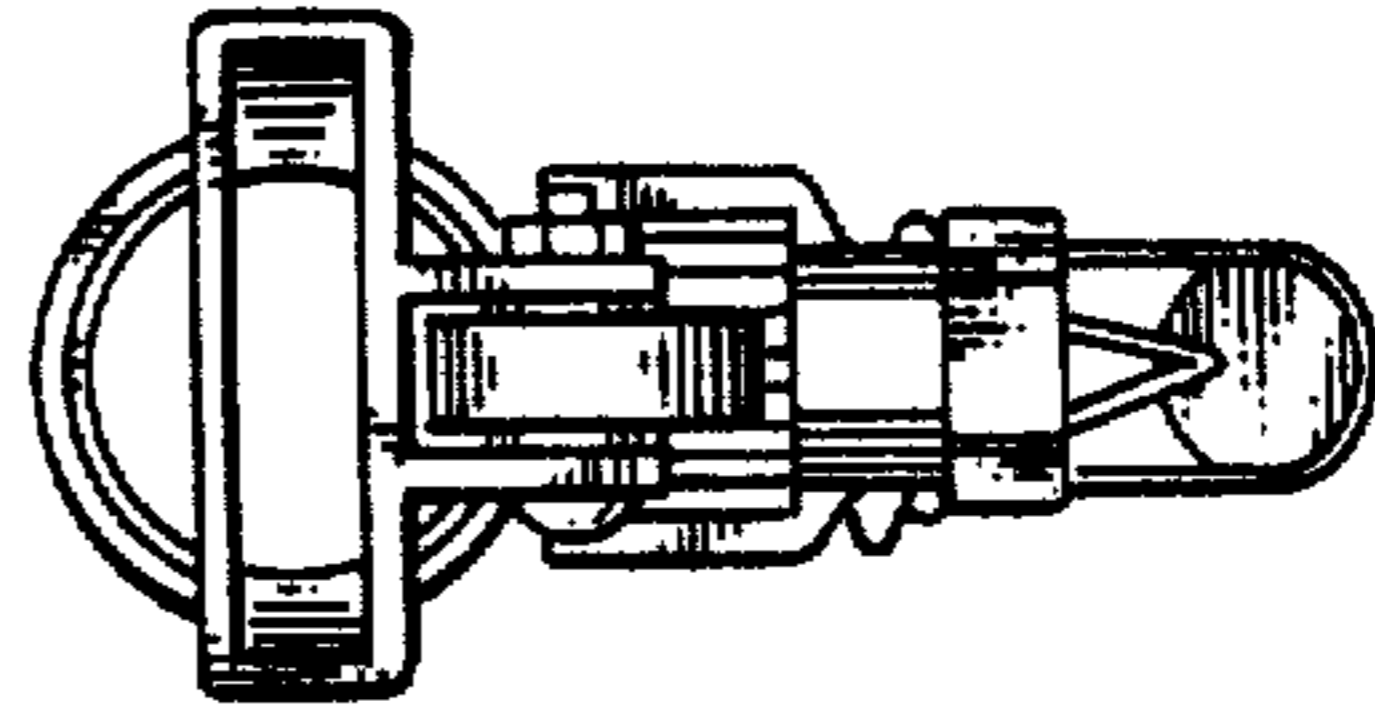
*Fig. 6*



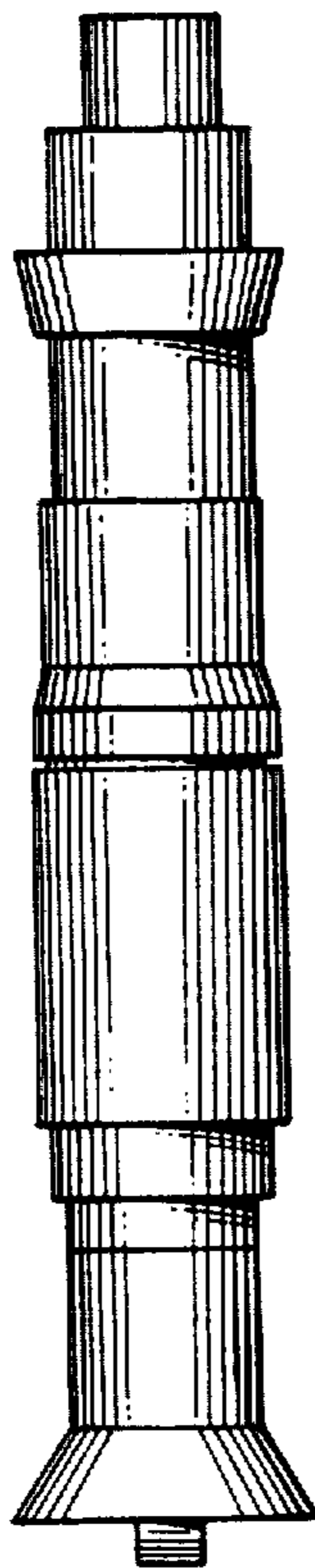
*Fig. 7*



*Fig. 8*



*Fig. 9*



*Fig. 10*

