

[54] ELECTRIC SHAVER

[75] Inventors: Takeshi Takagi, Neyagawa; Shinji Yamamoto; Keiji Kuribayashi, both of Hirakata, all of Japan

[73] Assignee: Matsushita Electric Works, Osaka, Japan

[**] Term: 14 Years

[21] Appl. No.: 311,602

[22] Filed: Oct. 15, 1981

[30] Foreign Application Priority Data

Apr. 30, 1981 [JP] Japan 56-19038

[51] Int. Cl. D28-03

[52] U.S. Cl. D28/50

[58] Field of Search D28/44, 45, 49-51; 30/32, 34 R, 34.1, 41.9, 42, 43, 43.3-43.92

[56] References Cited

U.S. PATENT DOCUMENTS

D. 110,937	8/1938	Aronson	D28/50
D. 181,484	11/1957	Monnet	D28/50
D. 216,374	3/1968	Yran et al.	.	
D. 220,374	3/1971	Ono et al.	.	
D. 237,319	10/1975	Sakai et al.	D28/50
D. 255,166	5/1980	Ayukawa et al.	D28/50
3,116,551	1/1964	Anton	30/43.6
3,220,108	11/1965	MacCarthy	30/43.6 X

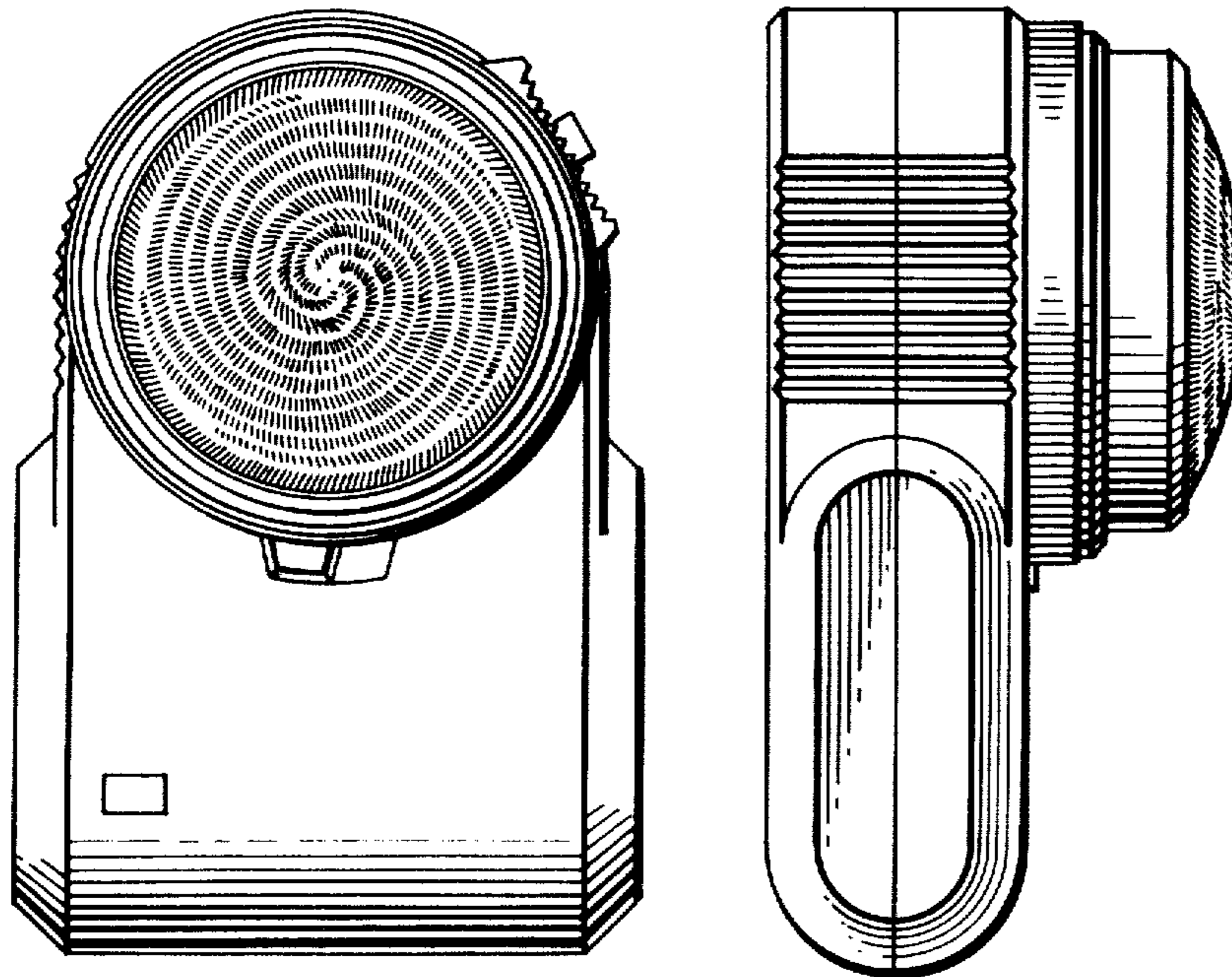
Primary Examiner—Louis S. Zarfaz
Attorney, Agent, or Firm—Stevens, Davis, Miller & Mosher

[57] CLAIM

The ornamental design for electric shaver, as shown.

DESCRIPTION

FIG. 1 is a front elevational view of an electric shaver showing my new design;
FIG. 2 is a rear elevational view;
FIG. 3 is a top plan view;
FIG. 4 is a bottom plan view;
FIG. 5 is a left side elevational view;
FIG. 6 is a right side elevational view.



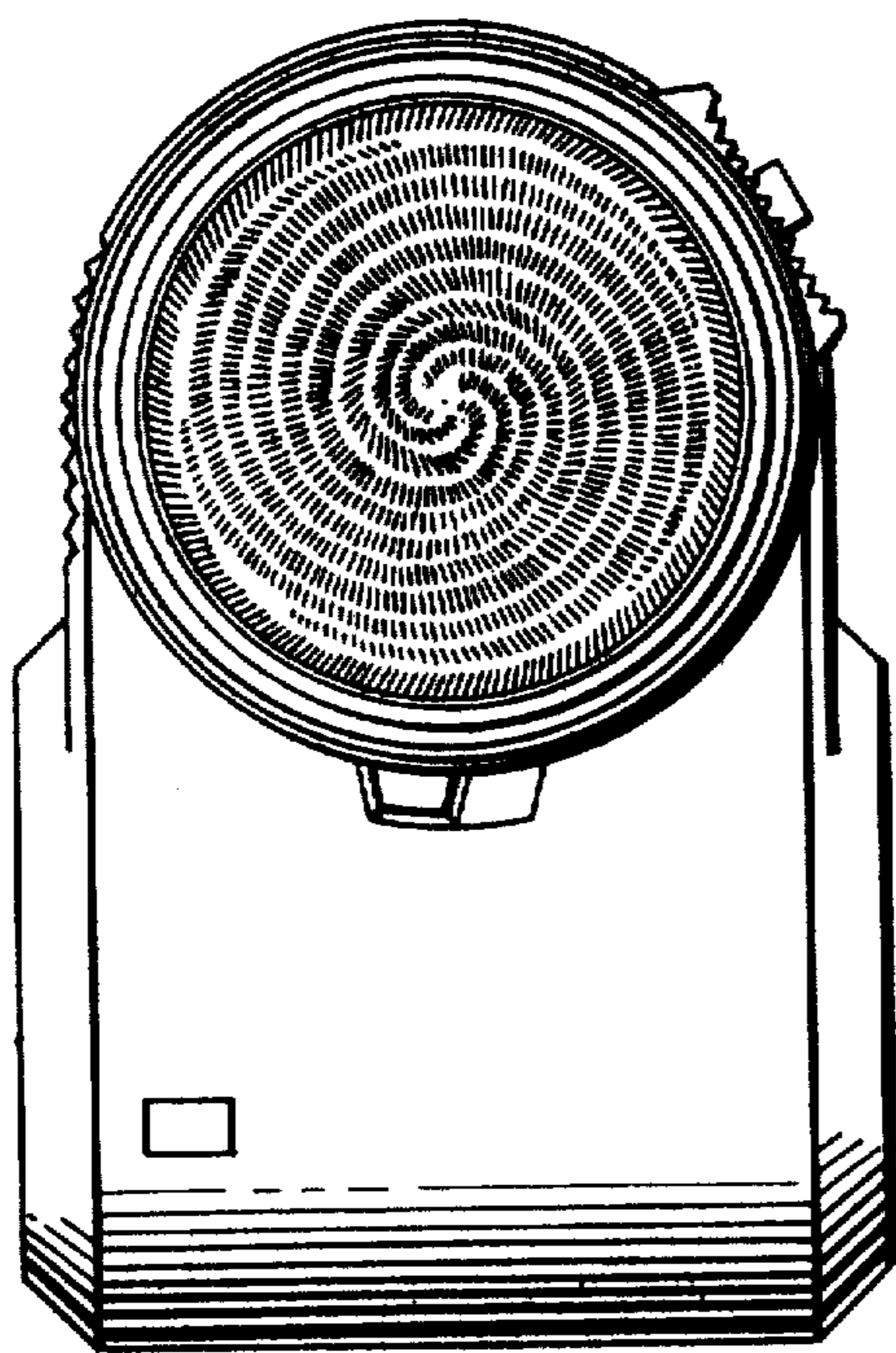


FIG. 1

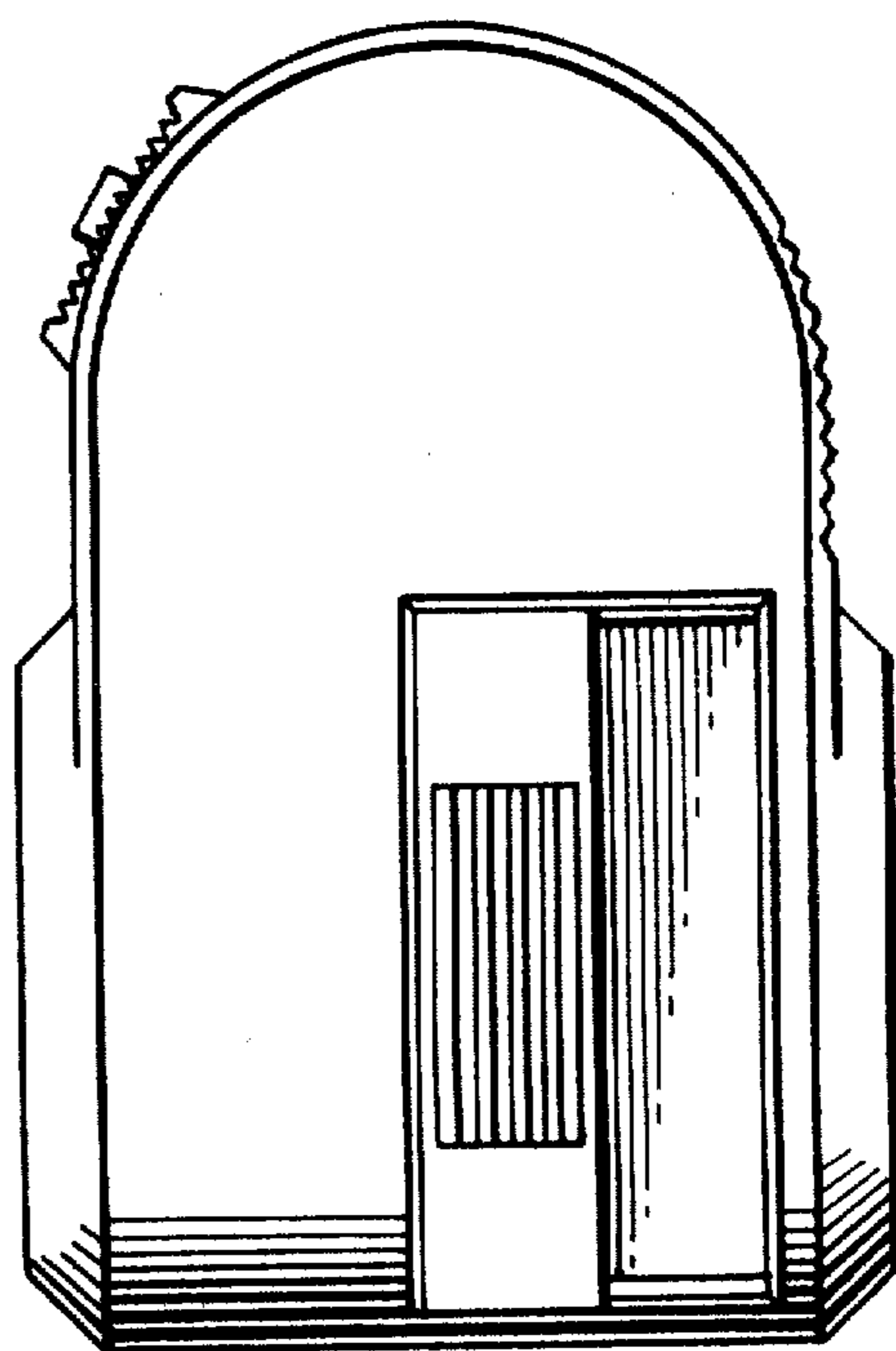


FIG. 2

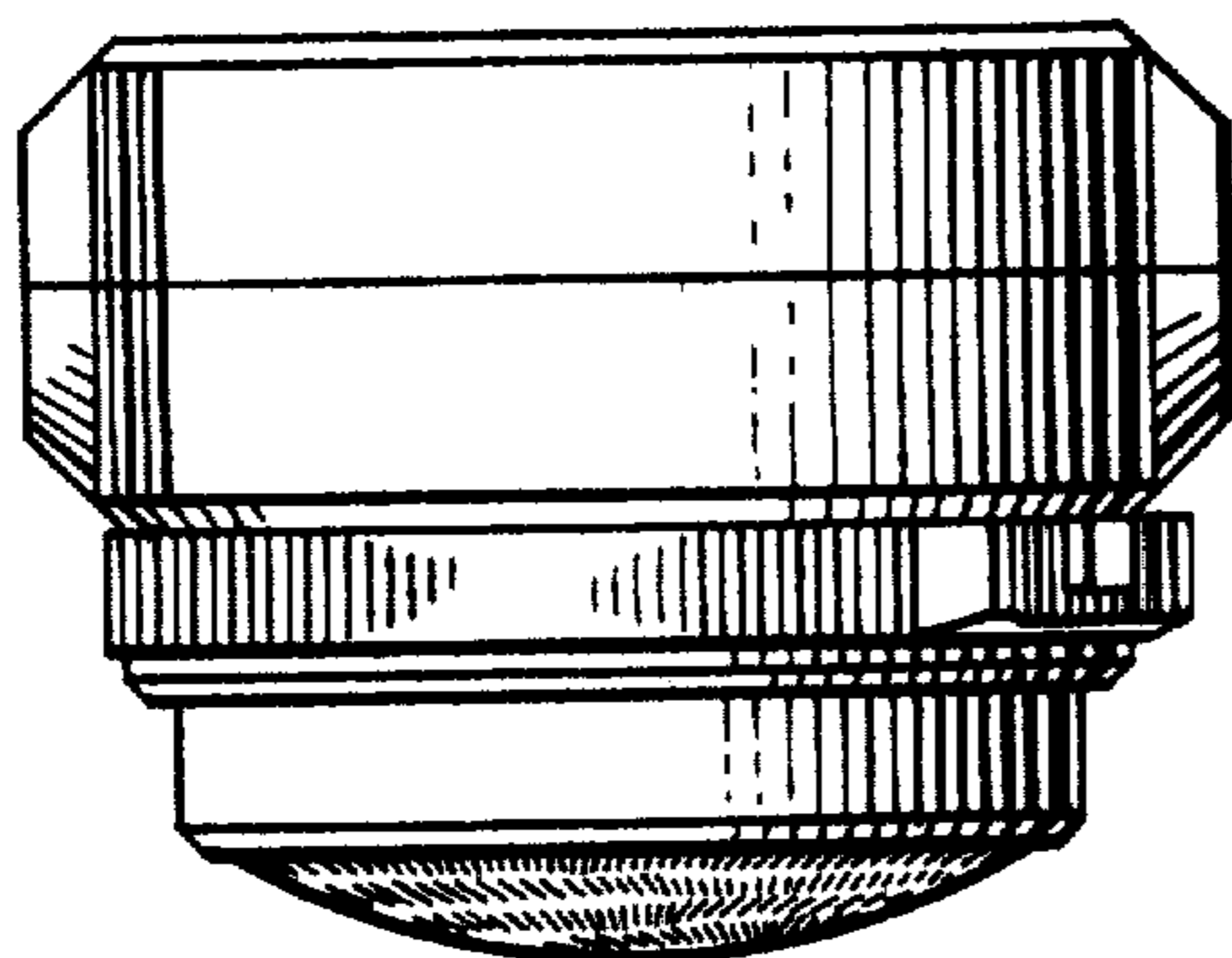


FIG. 3

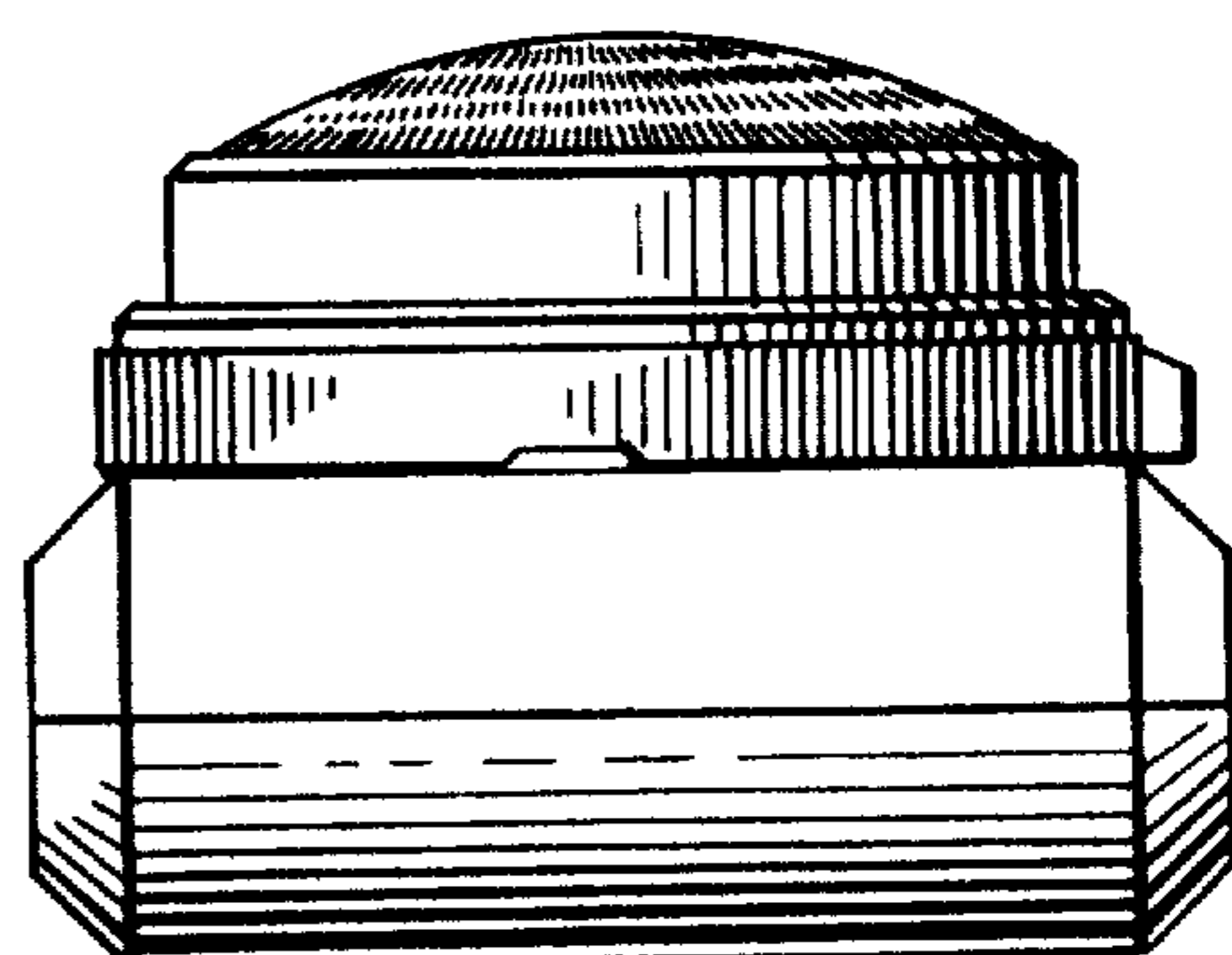


FIG. 4

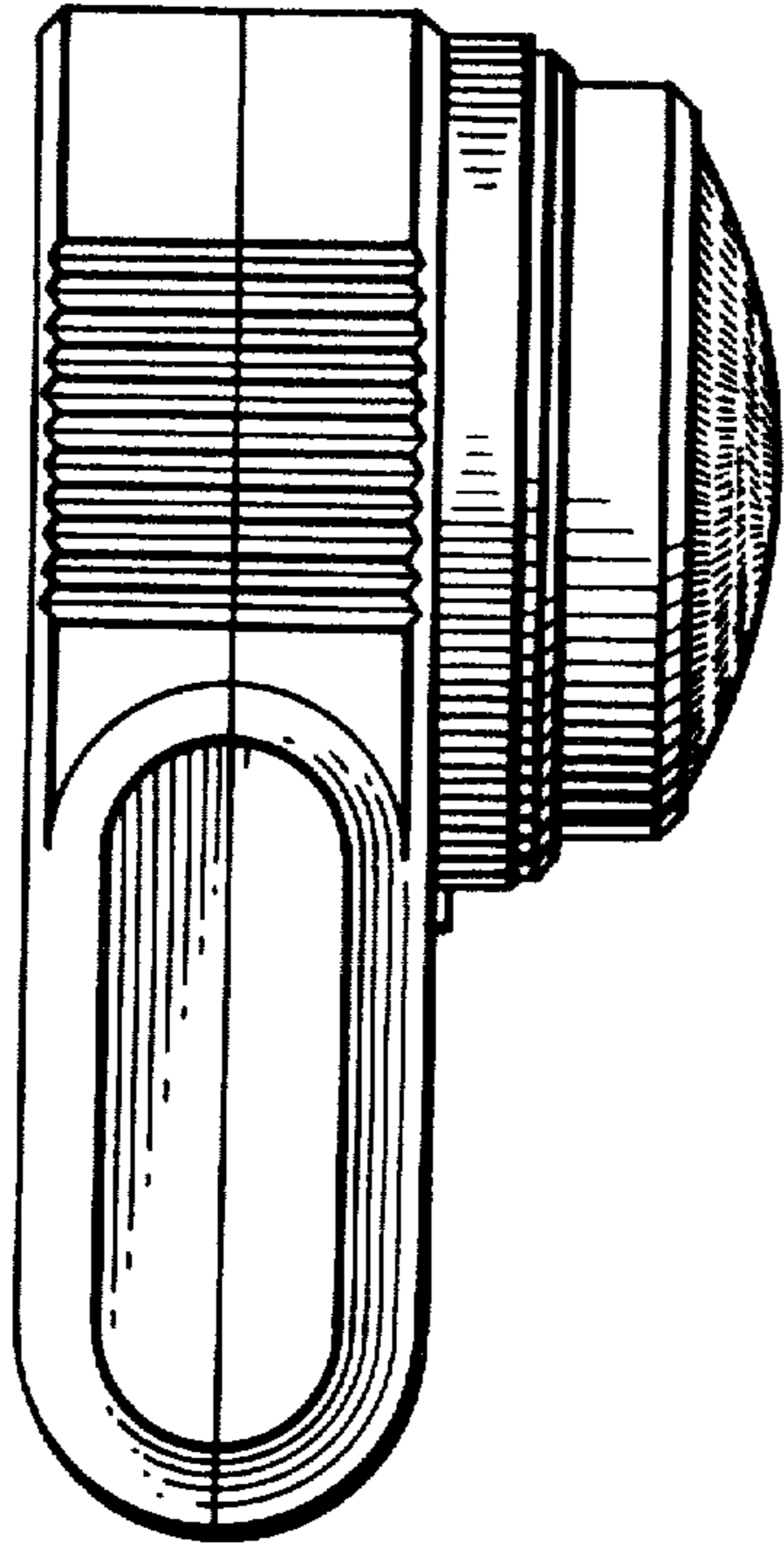


FIG. 5

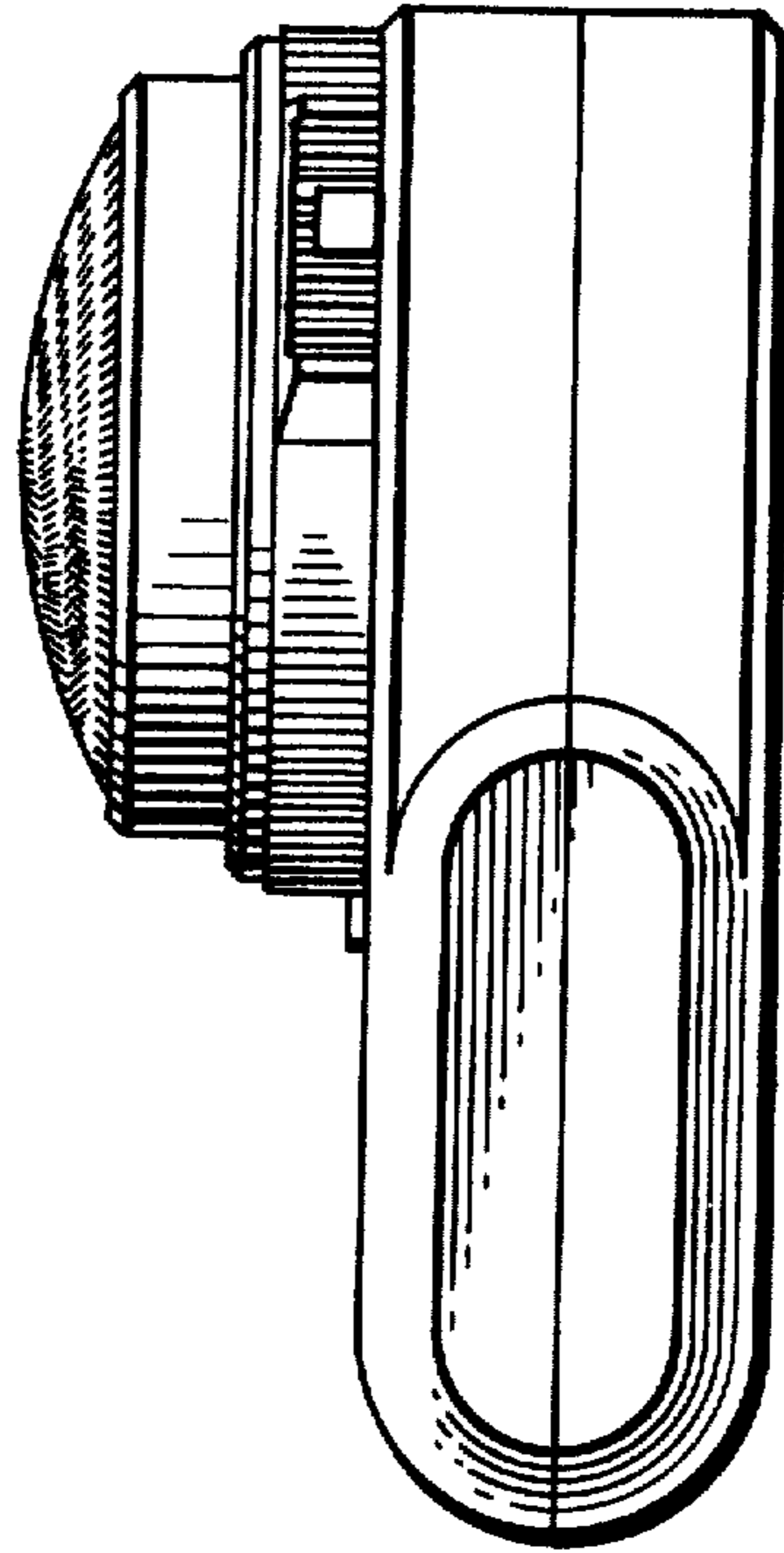


FIG. 6