

[54] **FLASHLIGHT HEAD**

[76] Inventor: **Knut O. Sassmannshausen**,  
Rothenbach St., D6580  
Idar-Oberstein, Fed. Rep. of  
Germany

[\*\*] Term: **14 Years**

[21] Appl. No.: **242,382**

[22] Filed: **Mar. 10, 1981**

**Related U.S. Application Data**

[62] Division of Ser. No. 917,012, Jun. 16, 1978, Pat. No.  
Des. 259,962.

[30] **Foreign Application Priority Data**

Dec. 19, 1977 [DE] Fed. Rep. of Germany ..... 1460

[51] Int. Cl. .... **D26-02**

[52] U.S. Cl. .... **D26/37**

[58] Field of Search ..... **D26/37-50,**  
**D26/118, 128; 362/119, 120, 157, 158, 184-208,**  
**297, 341-350, 302**

[56] **References Cited**

**U.S. PATENT DOCUMENTS**

D. 126,576 4/1941 Deibel ..... D26/49

2,261,001 10/1941 Muldoon ..... 362/208  
3,710,092 1/1973 Olbermann, Jr. .... D26/49 X

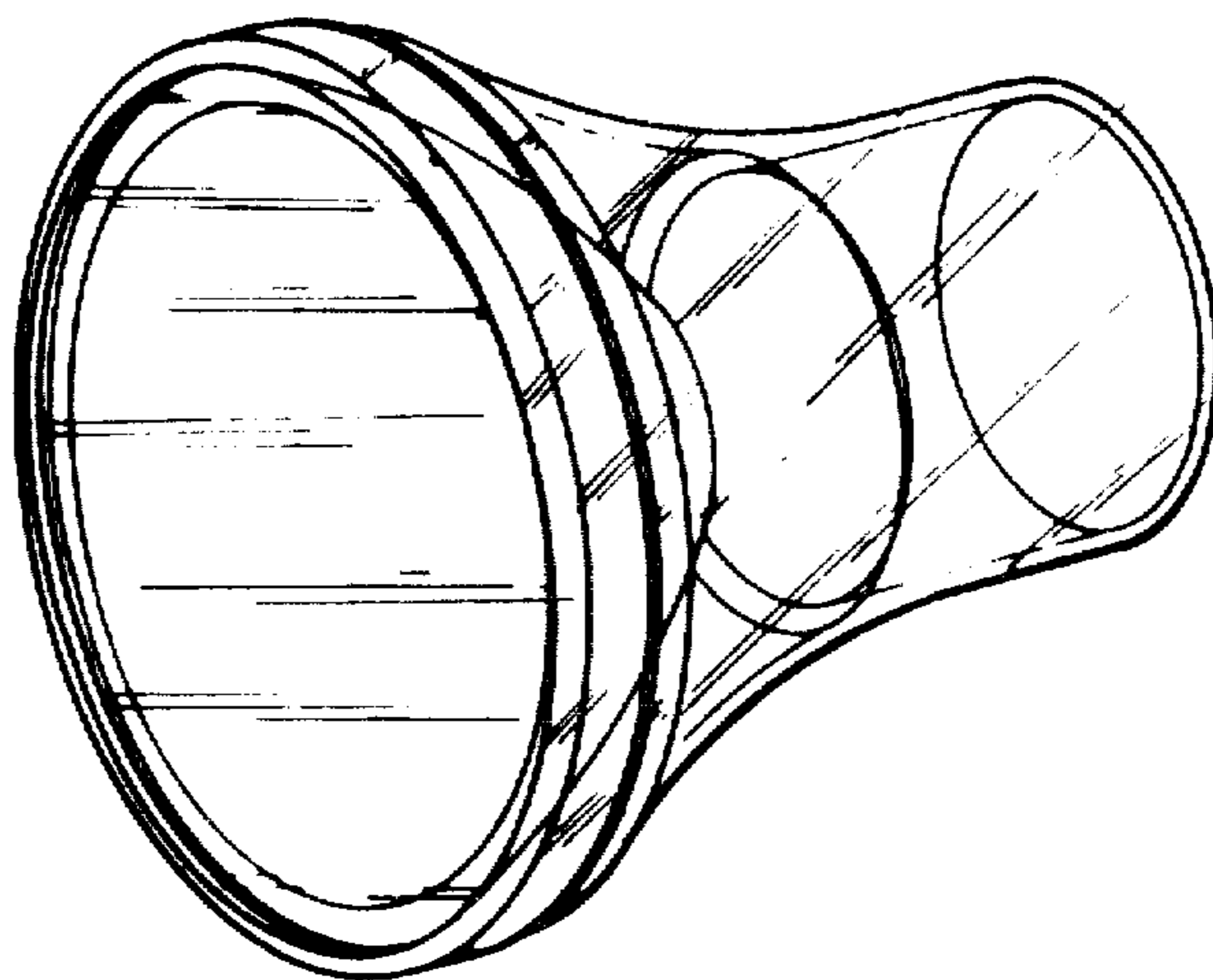
*Primary Examiner*—Susan J. Lucas  
*Attorney, Agent, or Firm*—Herbert L. Lerner; Laurence  
A. Greenberg

[57] **CLAIM**

The ornamental design for a flashlight head, as shown  
and described.

**DESCRIPTION**

FIG. 1 is a perspective view of a flashlight head show-  
ing my new design;  
FIG. 2 is a side elevational view thereof on an enlarged  
scale;  
FIG. 3 is a front elevational view thereof on an enlarged  
scale;  
FIG. 4 is a rear elevational view thereof on an enlarged  
scale;  
FIG. 5 is a perspective view of a second embodiment of  
my design;  
FIG. 6 is a side elevational view thereof on an enlarged  
scale;  
FIG. 7 is a front elevational view thereof on an enlarged  
scale;  
FIG. 8 is a rear elevational view thereof on an enlarged  
scale.



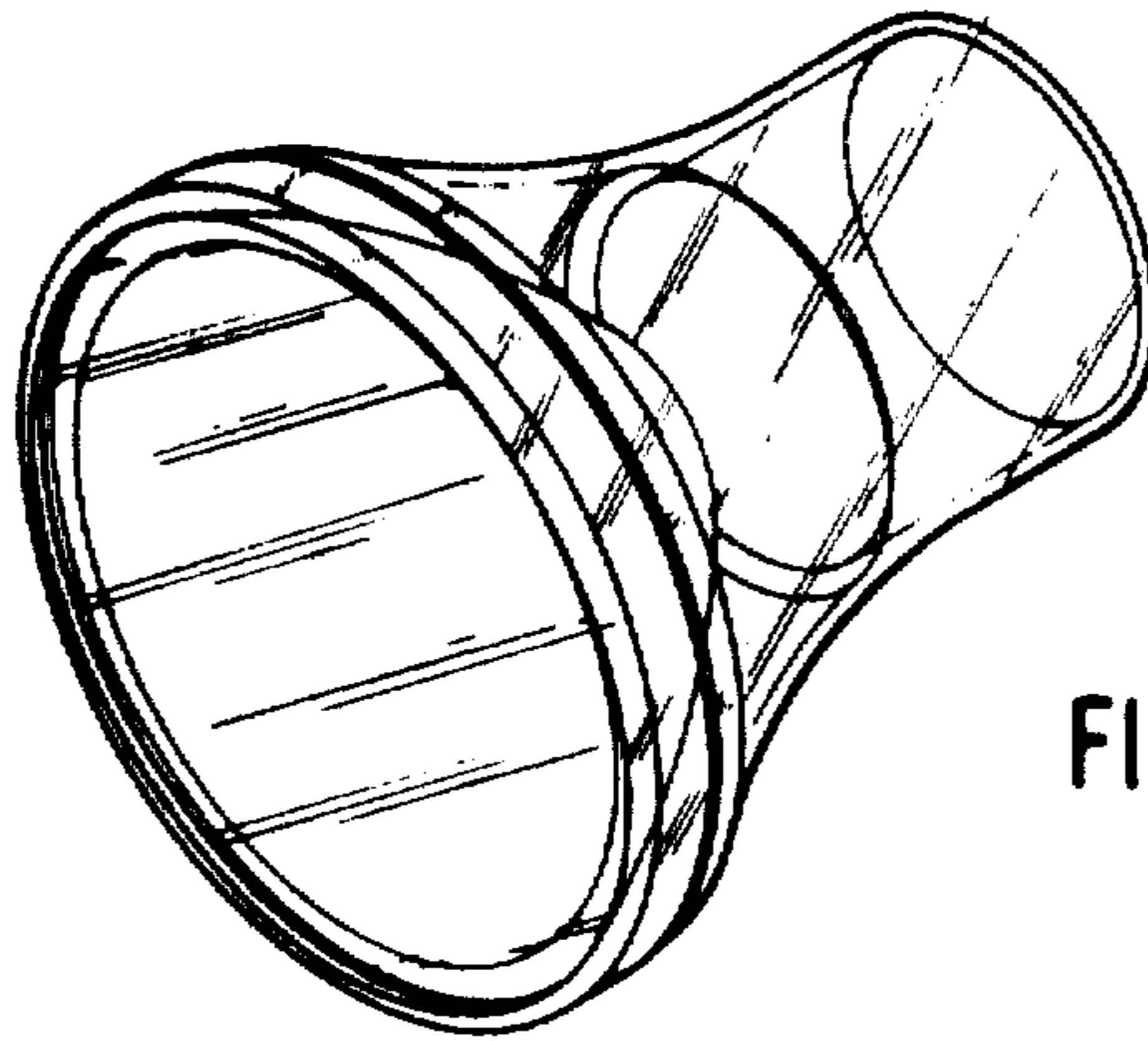


FIG. 1

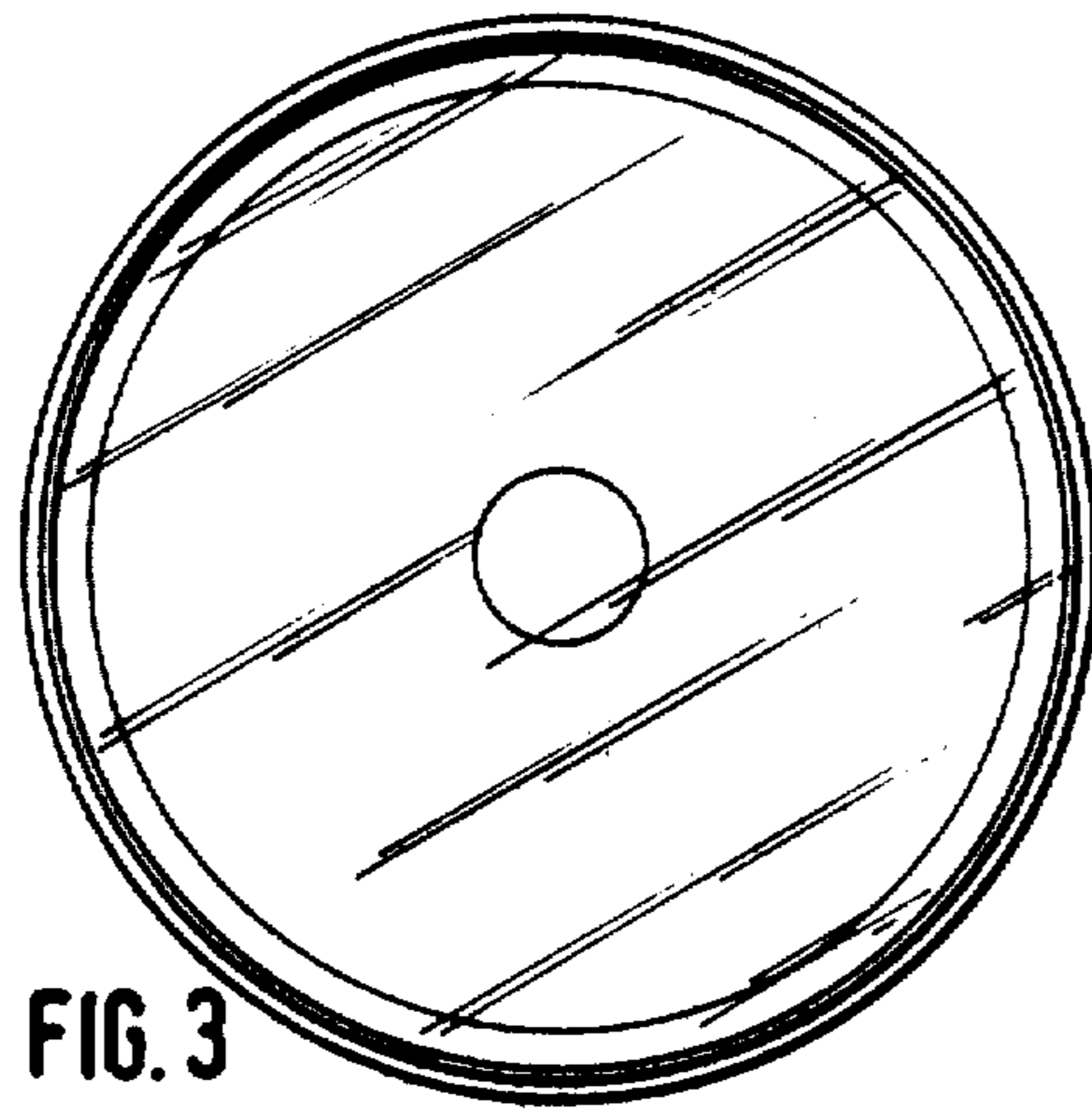


FIG. 3

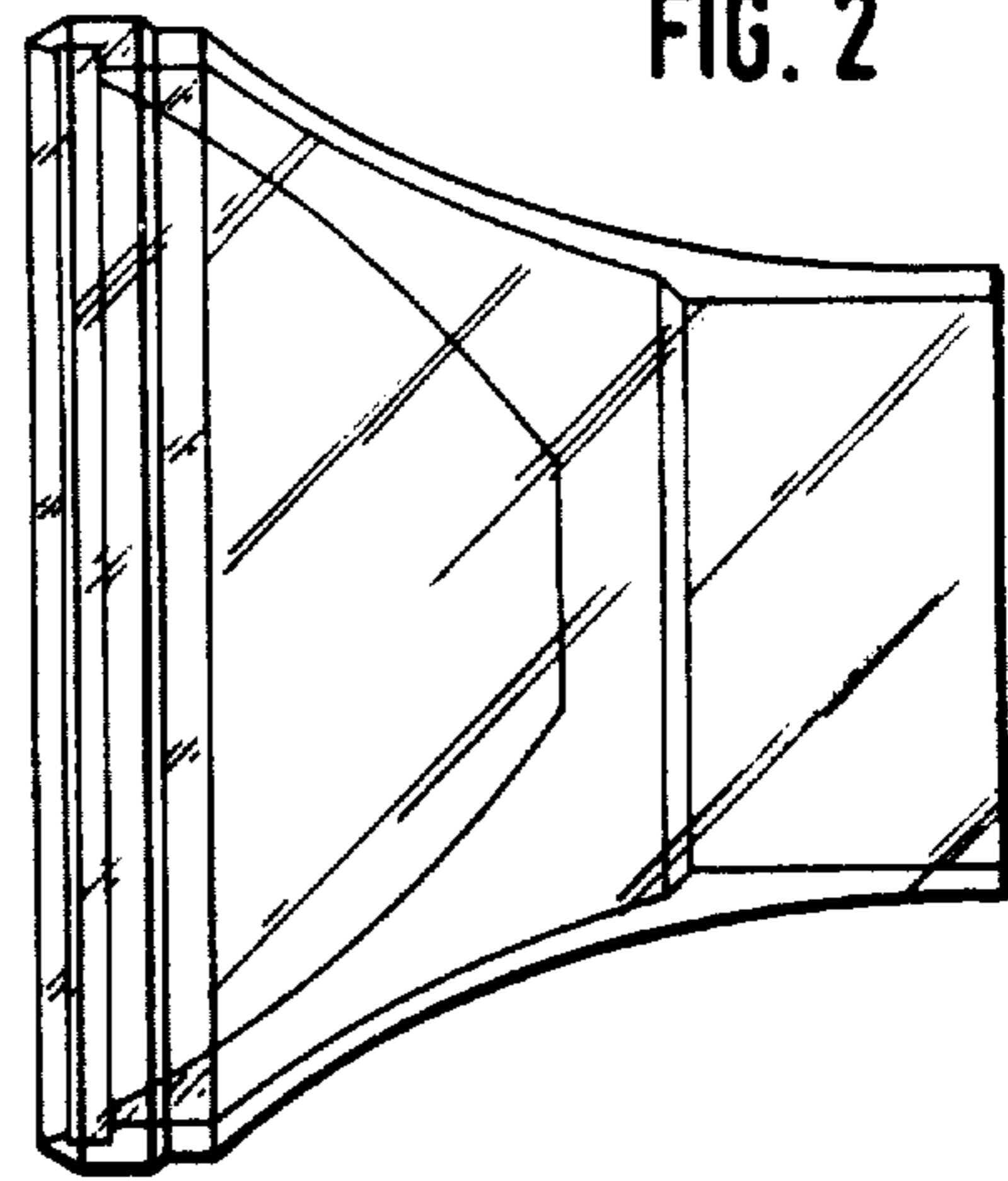


FIG. 2

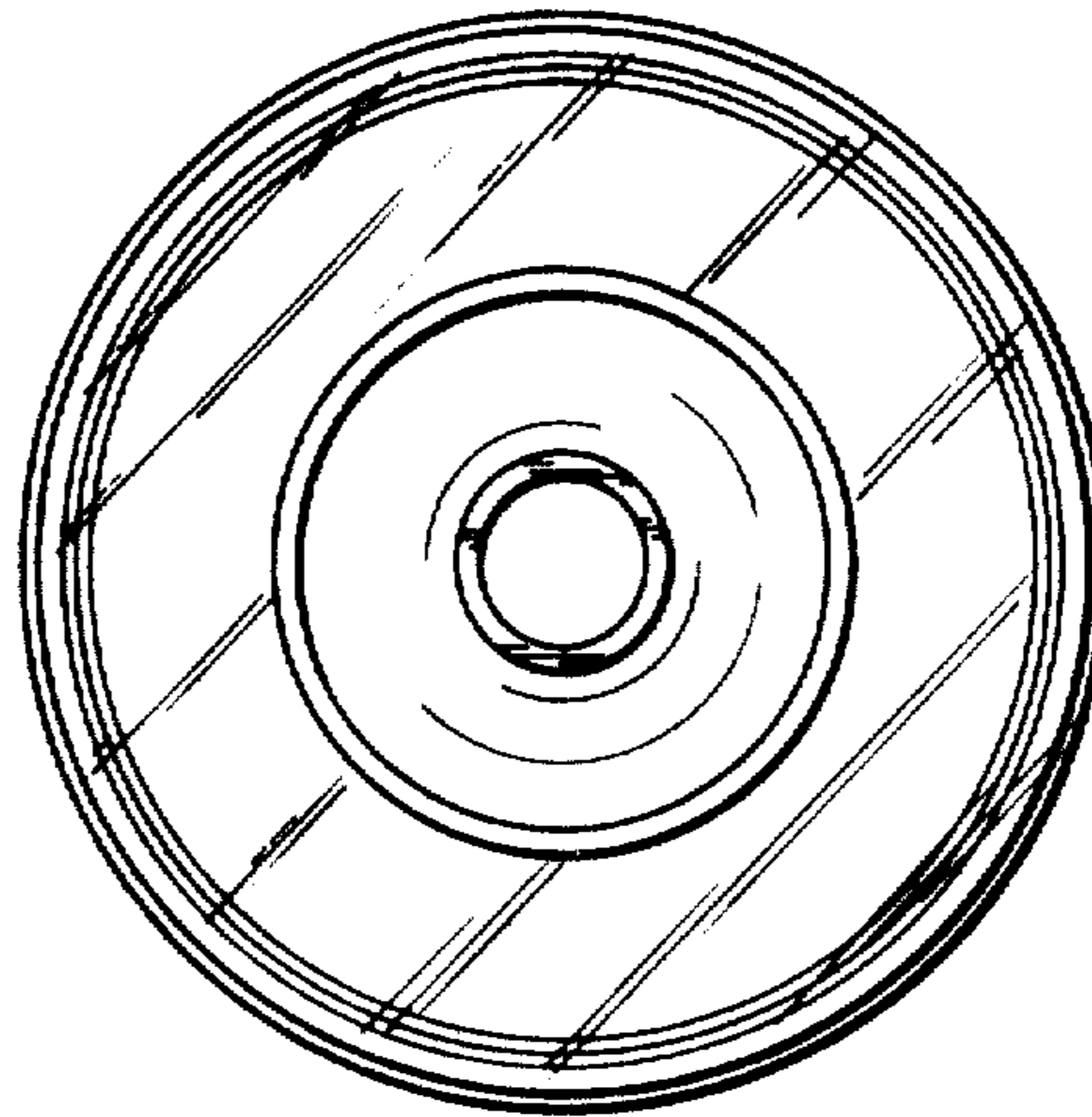


FIG. 4

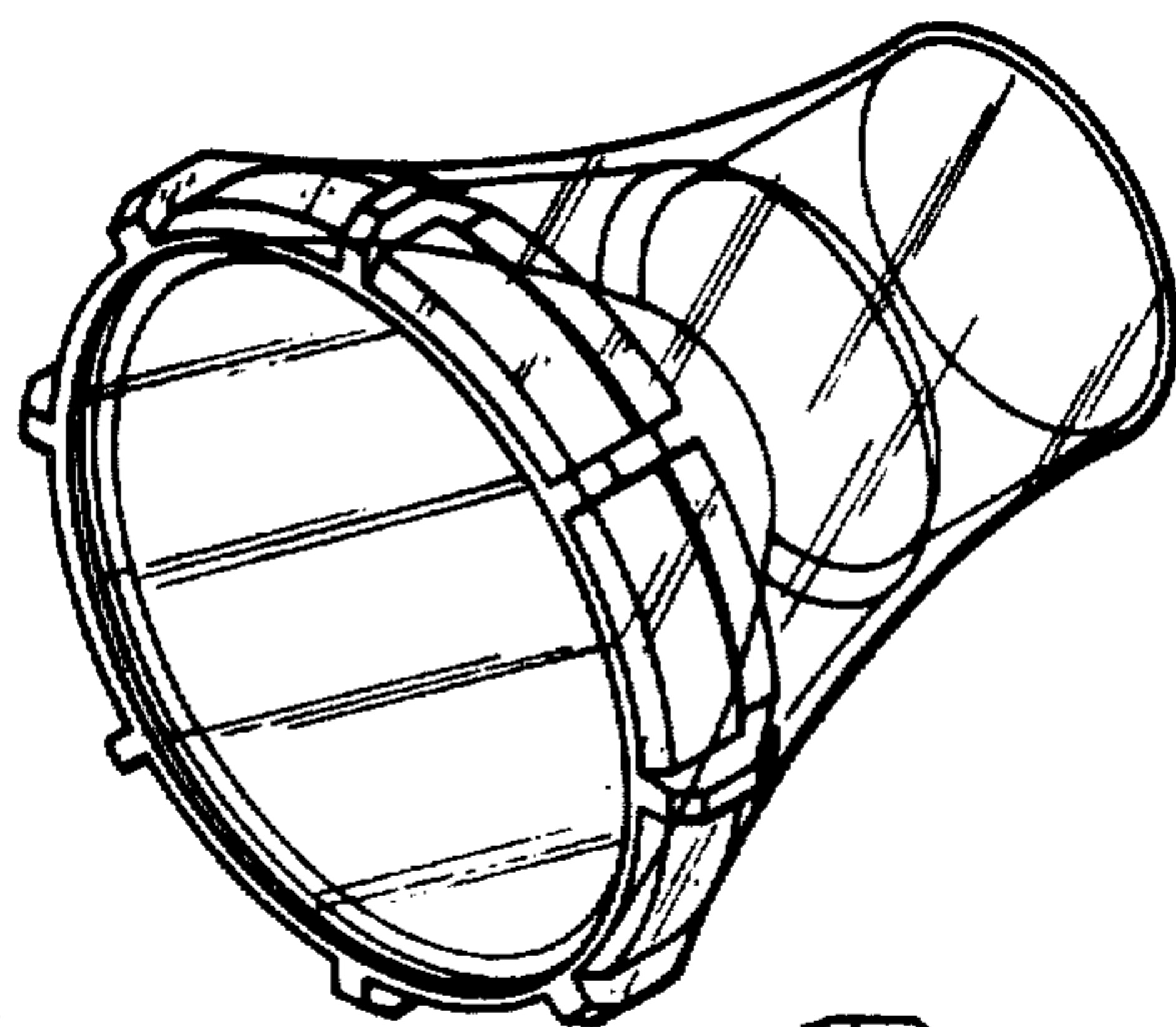


FIG. 5

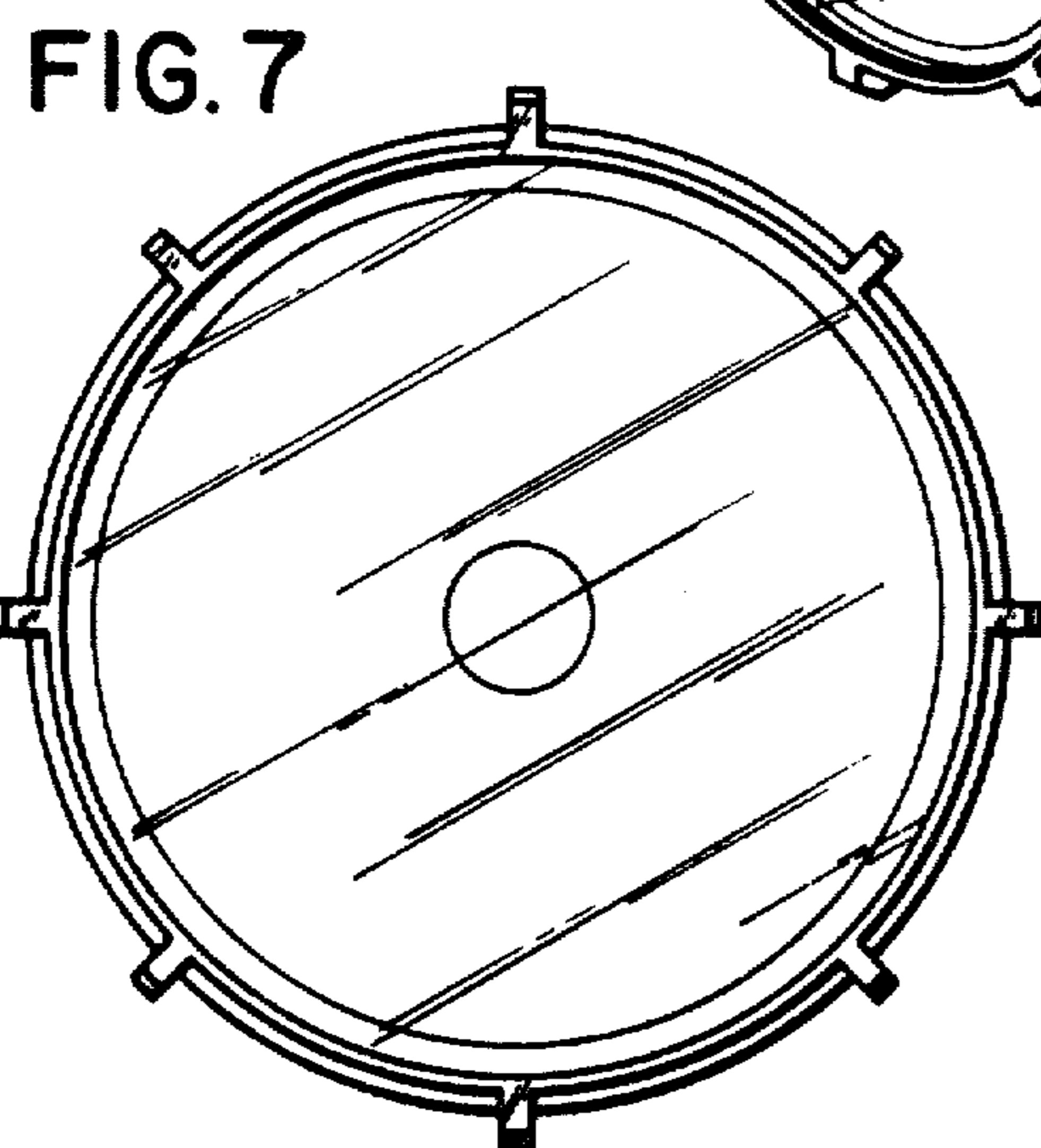


FIG. 7

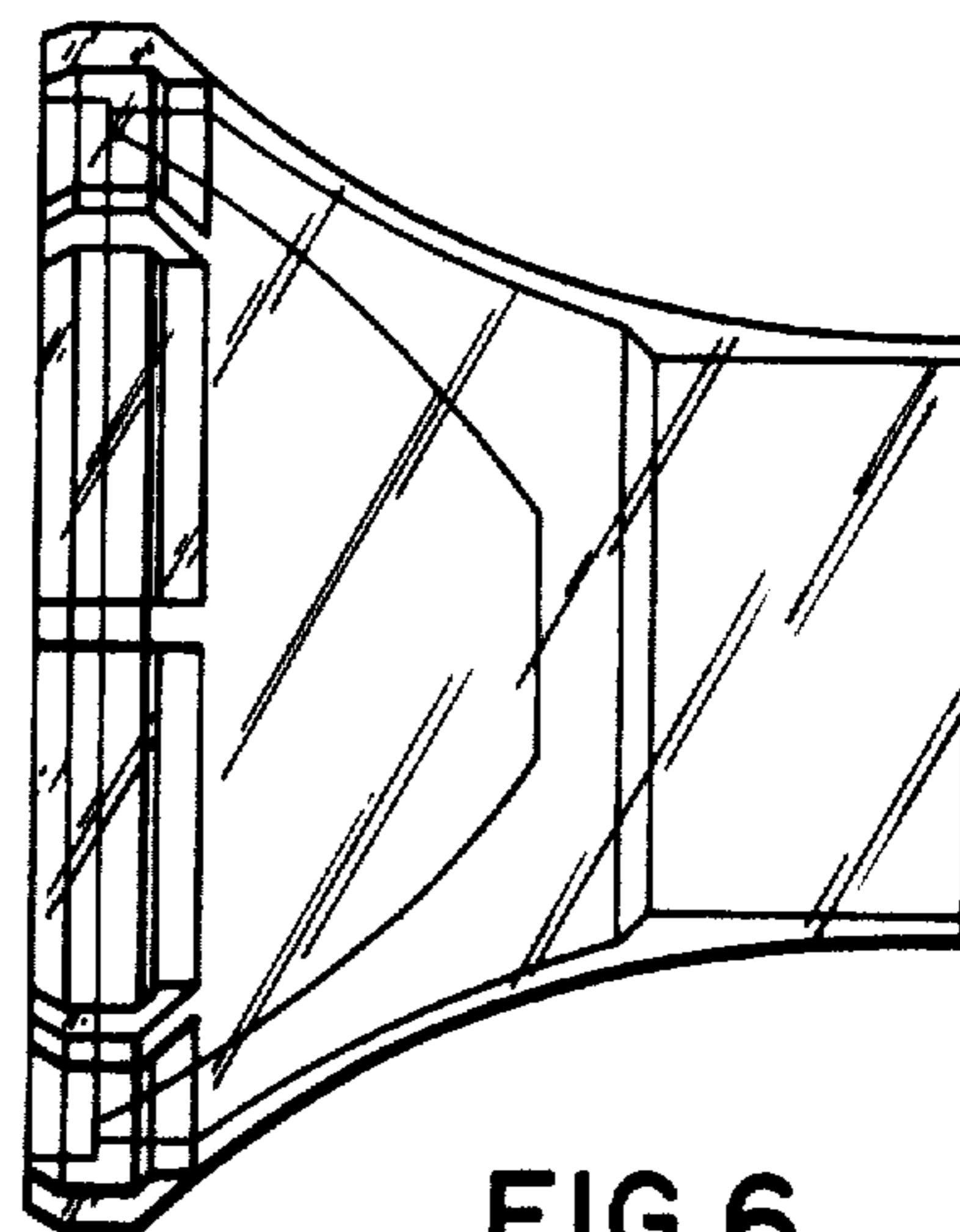


FIG. 6

FIG. 8

