

[54] ARTIFICIAL KIDNEY ASSEMBLY PACKAGE WITH ATTACHED BLOOD PUMP AND MULTIFUNCTIONAL SUBASSEMBLY

[75] Inventor: Andreas Preussner, Berkeley, Calif.

[73] Assignee: Cordis Dow Corp., Miami, Fla.

[\*\*] Term: 14 Years

[21] Appl. No.: 266,695

[22] Filed: May 26, 1981

[51] Int. Cl. .... D24-02

[52] U.S. Cl. .... D24/51; D24/53; D24/54; D9/415

[58] Field of Search ..... 206/364, 365, 363, 438, 206/557, 461, 462; D9/415, 437; D24/53, 54, 51, 31

[56] References Cited

U.S. PATENT DOCUMENTS

- D. 213,934 4/1969 Folkman ..... D24/31
- D. 263,074 2/1982 Mason ..... D9/415 X

- D. 263,168 2/1982 Kurtz ..... D24/51
- D. 266,829 11/1982 Yoshizawa et al. .... D9/415
- 3,963,027 6/1976 Muriot ..... 604/151 X
- 4,005,776 2/1977 Seeley ..... 206/364 X
- 4,106,621 8/1978 Sorenson ..... 206/461 X
- 4,332,322 6/1982 Jaeschke ..... 206/364

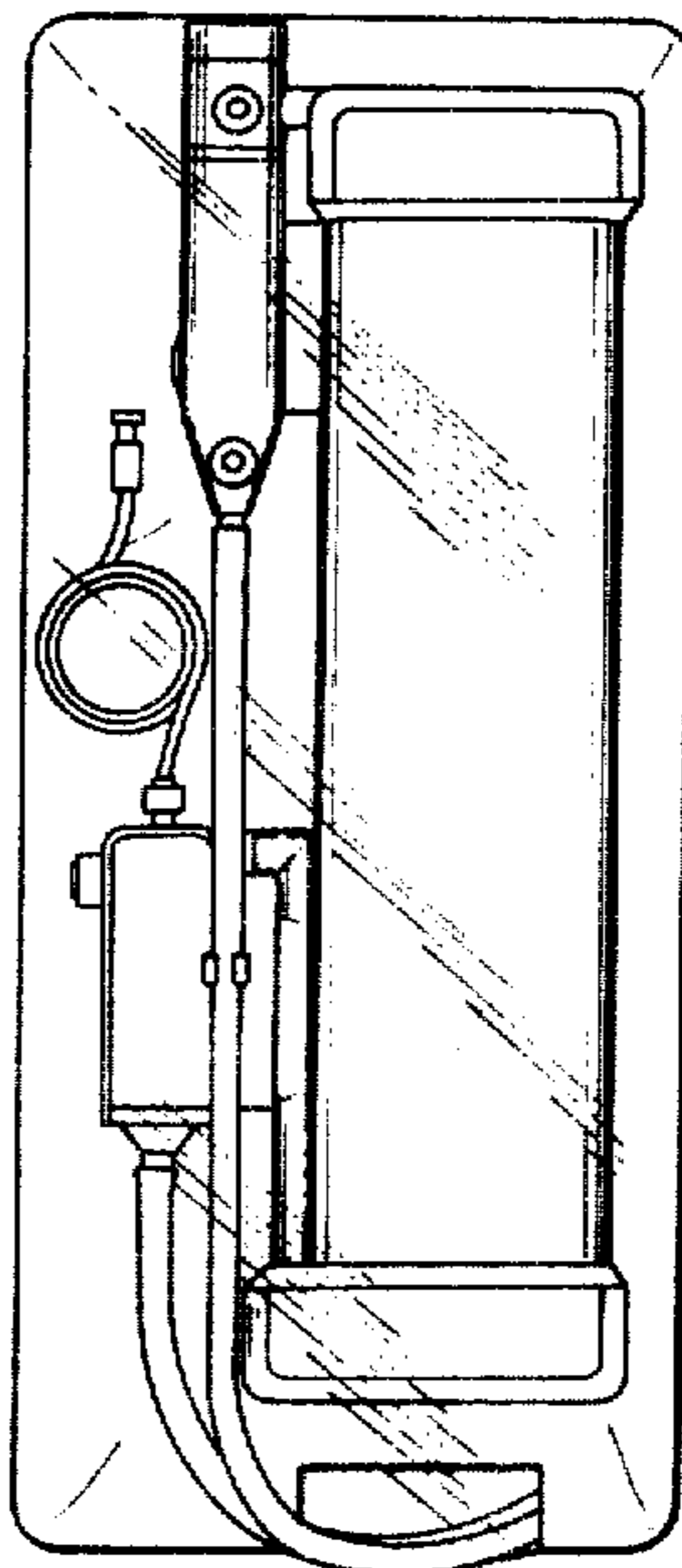
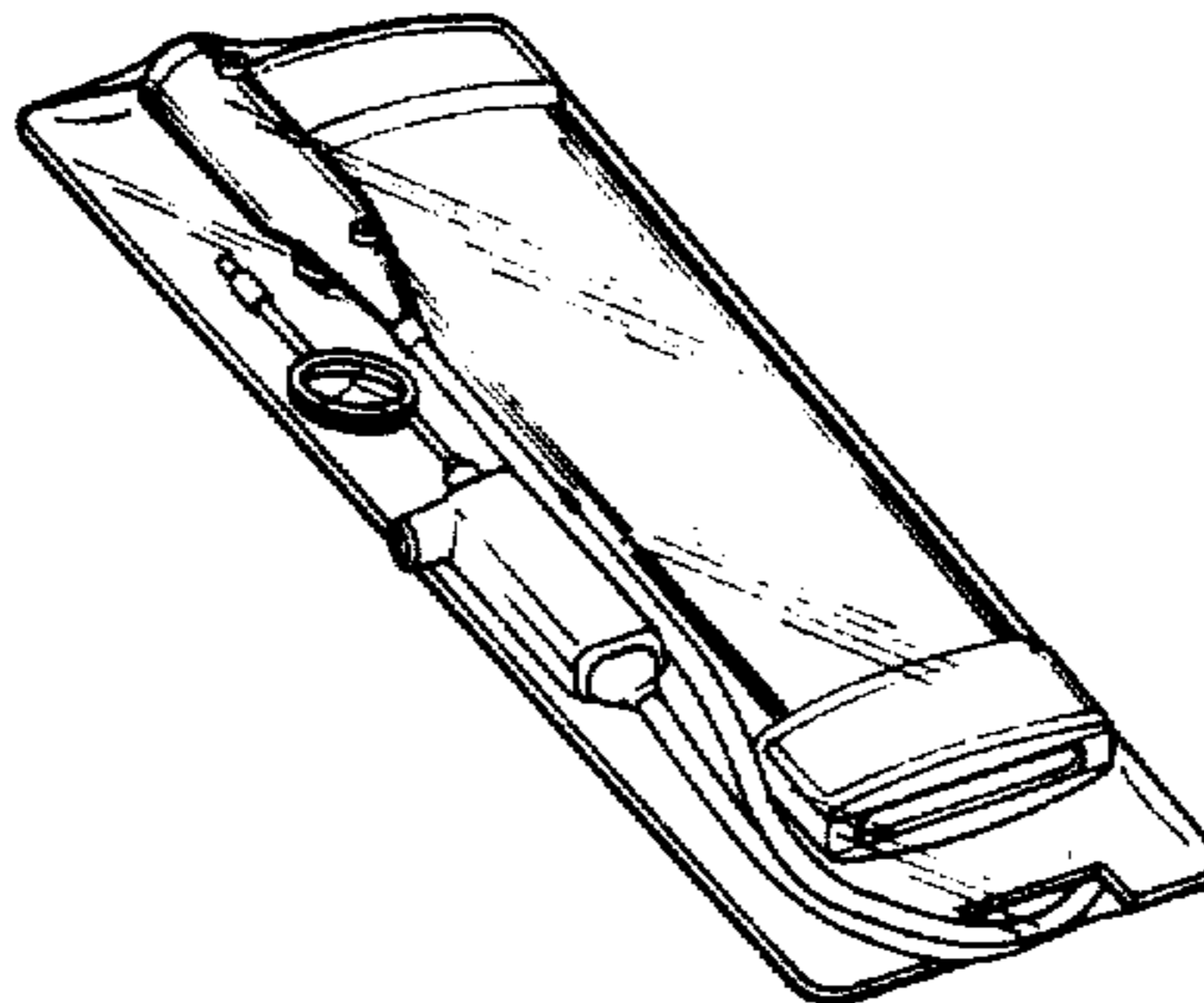
Primary Examiner—Bernard Ansher  
Attorney, Agent, or Firm—Neal A. Waldrop

[57] CLAIM

The ornamental design for an artificial kidney assembly package with attached blood pump and multifunctional subassembly, as shown and described.

DESCRIPTION

FIG. 1 is a top perspective view of an artificial kidney assembly package with attached blood pump and multifunctional, subassembly showing my new design;  
 FIG. 2 is a front elevation thereof;  
 FIG. 3 is a right end elevation thereof;  
 FIG. 4 is a rear elevation thereof;  
 FIG. 5 is a left end elevation thereof;  
 FIG. 6 is a top plan view thereof; and  
 FIG. 7 is a bottom plan view thereof.



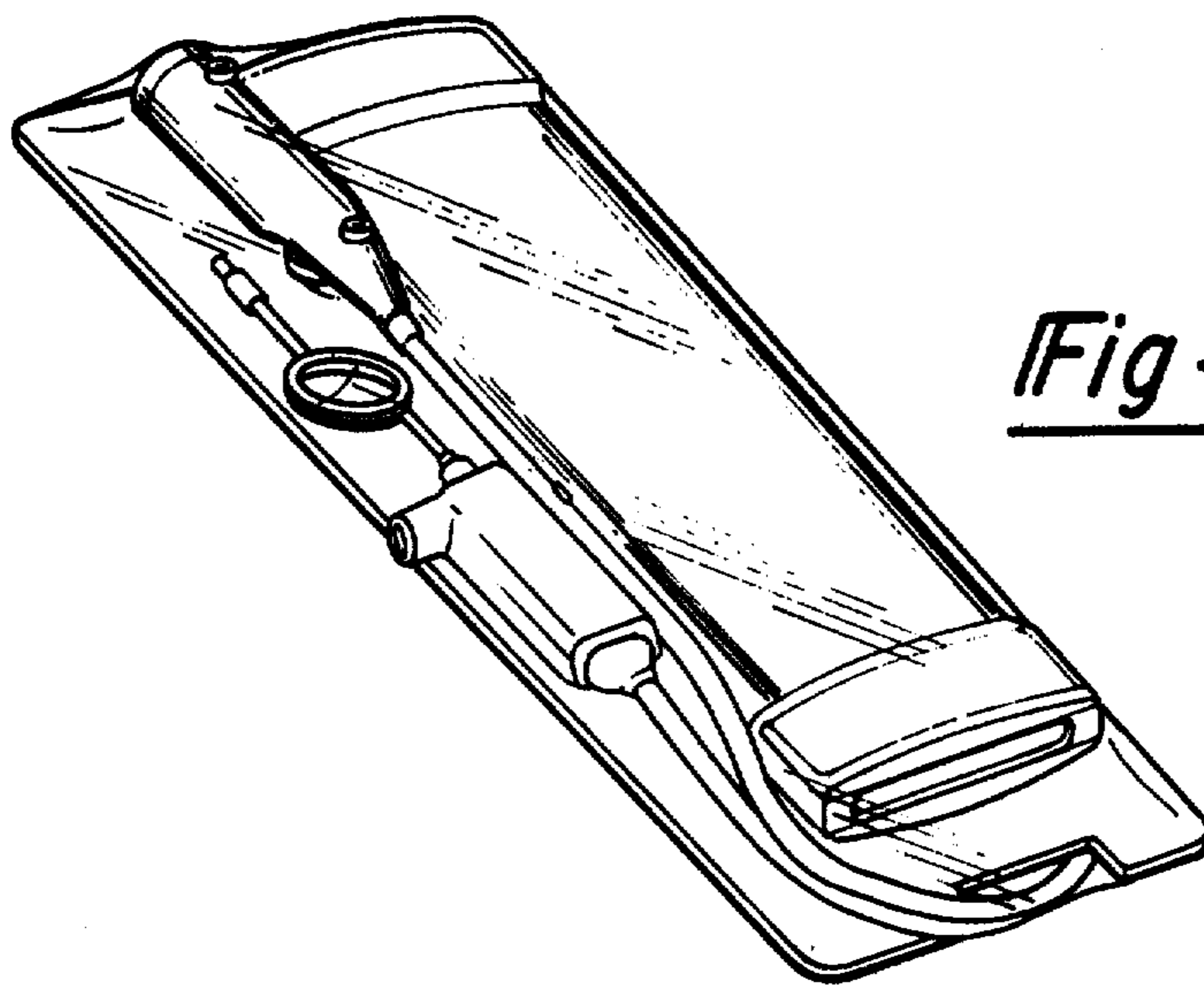


Fig-1

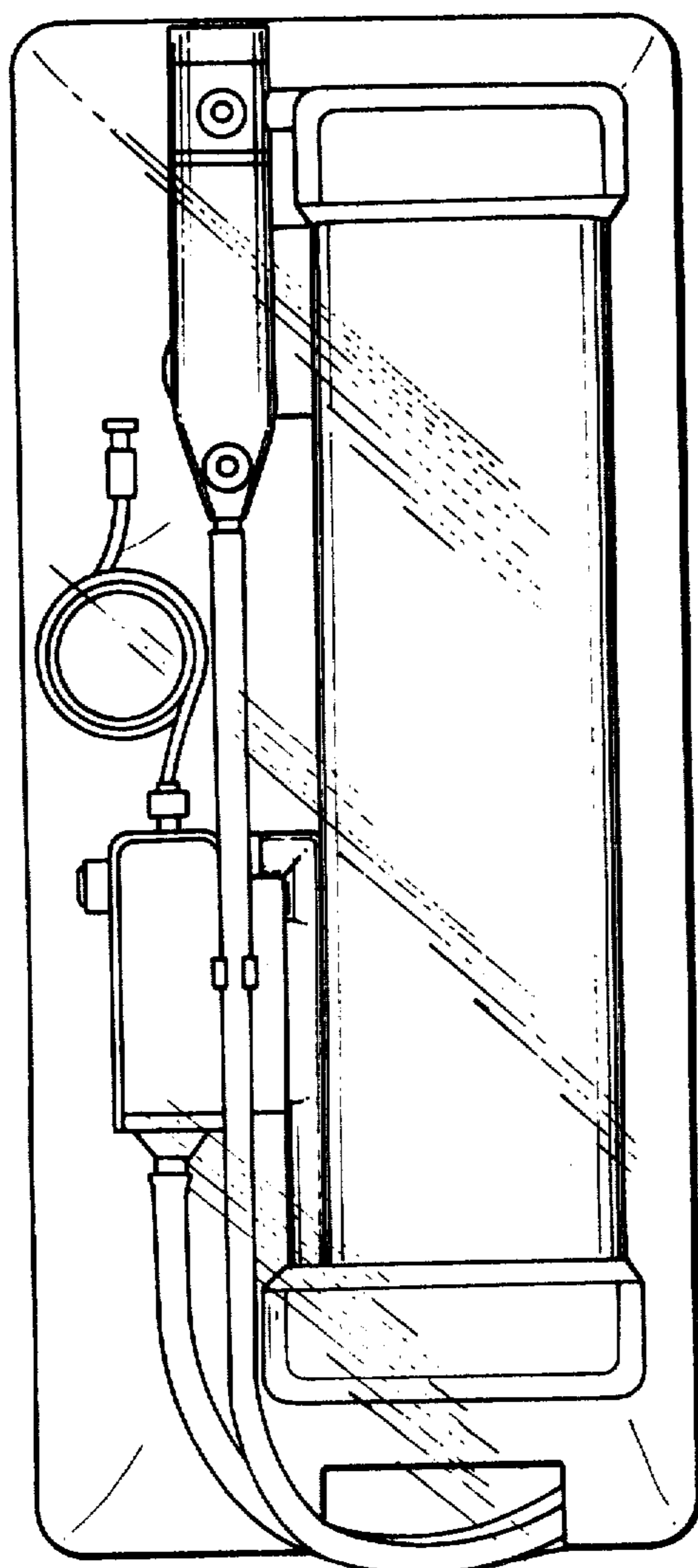


Fig-2

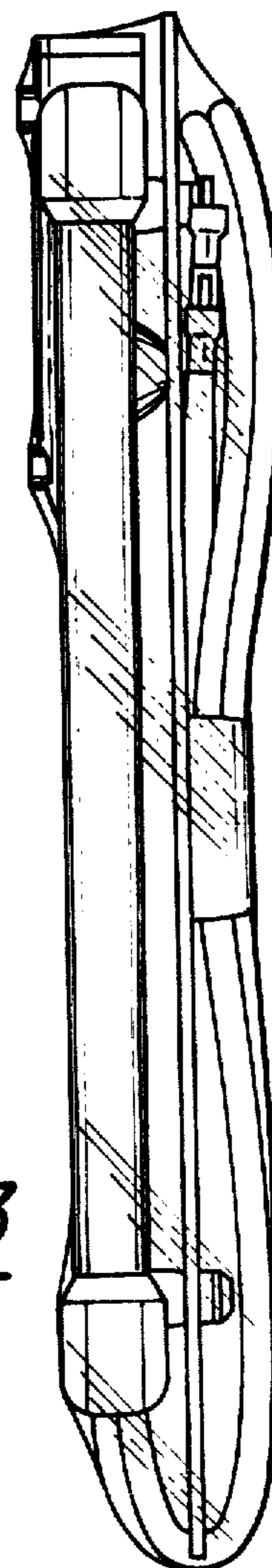


Fig-3

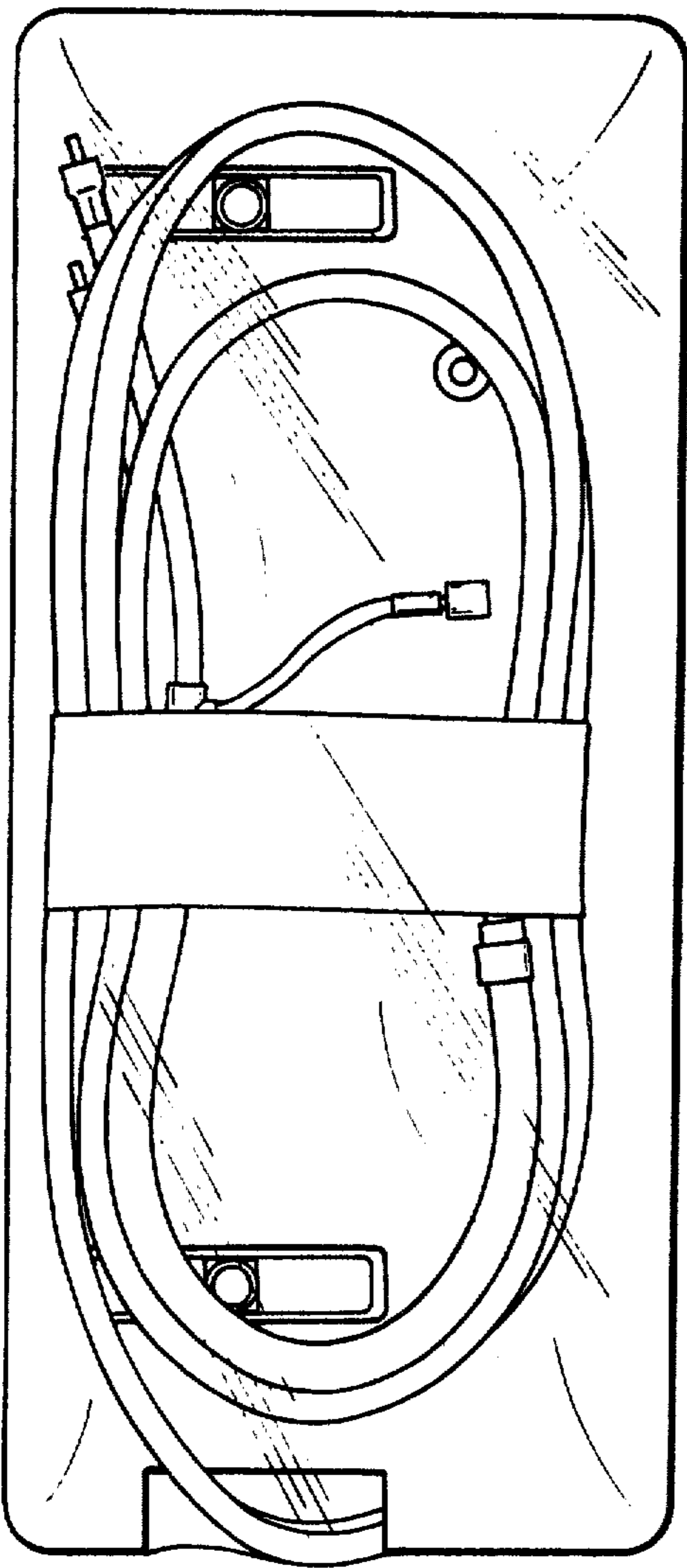


Fig-4

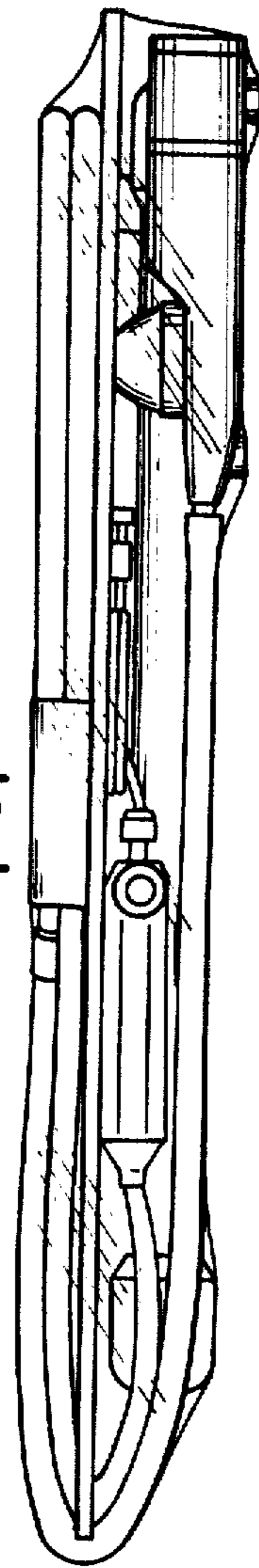


Fig-5

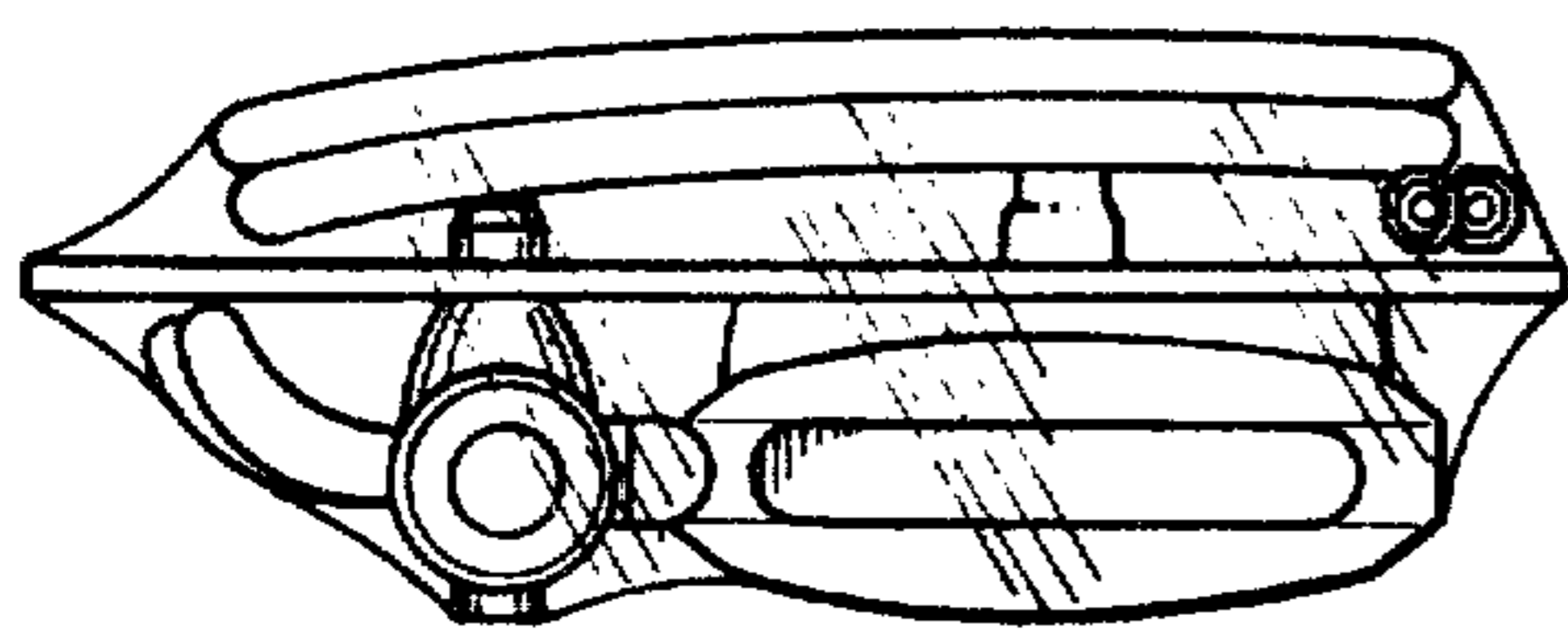


Fig-6

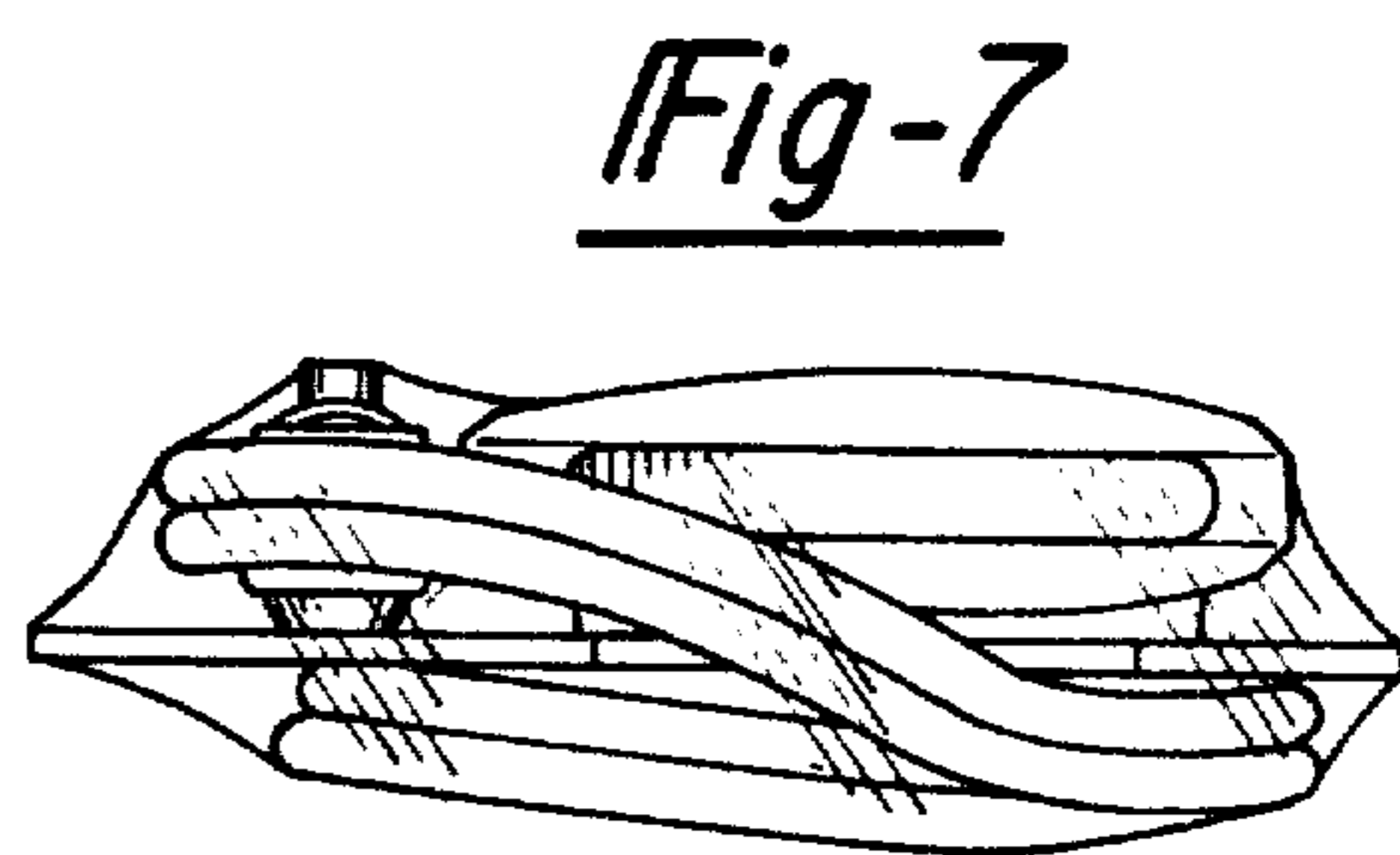


Fig-7