

[54] **AIR CONTROL CHECK UNIT FOR FIREPLACES AND THE LIKE**
 [76] Inventor: **Byron D. Lane**, 212 16th Ave. S.W., Minot, N. Dak. 58701
 [**] Term: **14 Years**
 [21] Appl. No.: **262,023**
 [22] Filed: **May 8, 1981**
 [51] Int. Cl. **D23—03**
 [52] U.S. Cl. **D23/127**
 [58] Field of Search **D23/127, 137-154; 98/37; 126/121, 143**

4,019,492 4/1977 Rush 126/163 R X
 4,060,196 11/1977 Goldsby et al. 126/121 X
 4,106,475 8/1978 Muyes 126/143 X
 4,185,611 1/1980 Johnson 126/167 X
 4,372,288 2/1979 Nieholas 126/143

Primary Examiner—James R. Largent
Attorney, Agent, or Firm—Mason, Fenwick & Lawrence

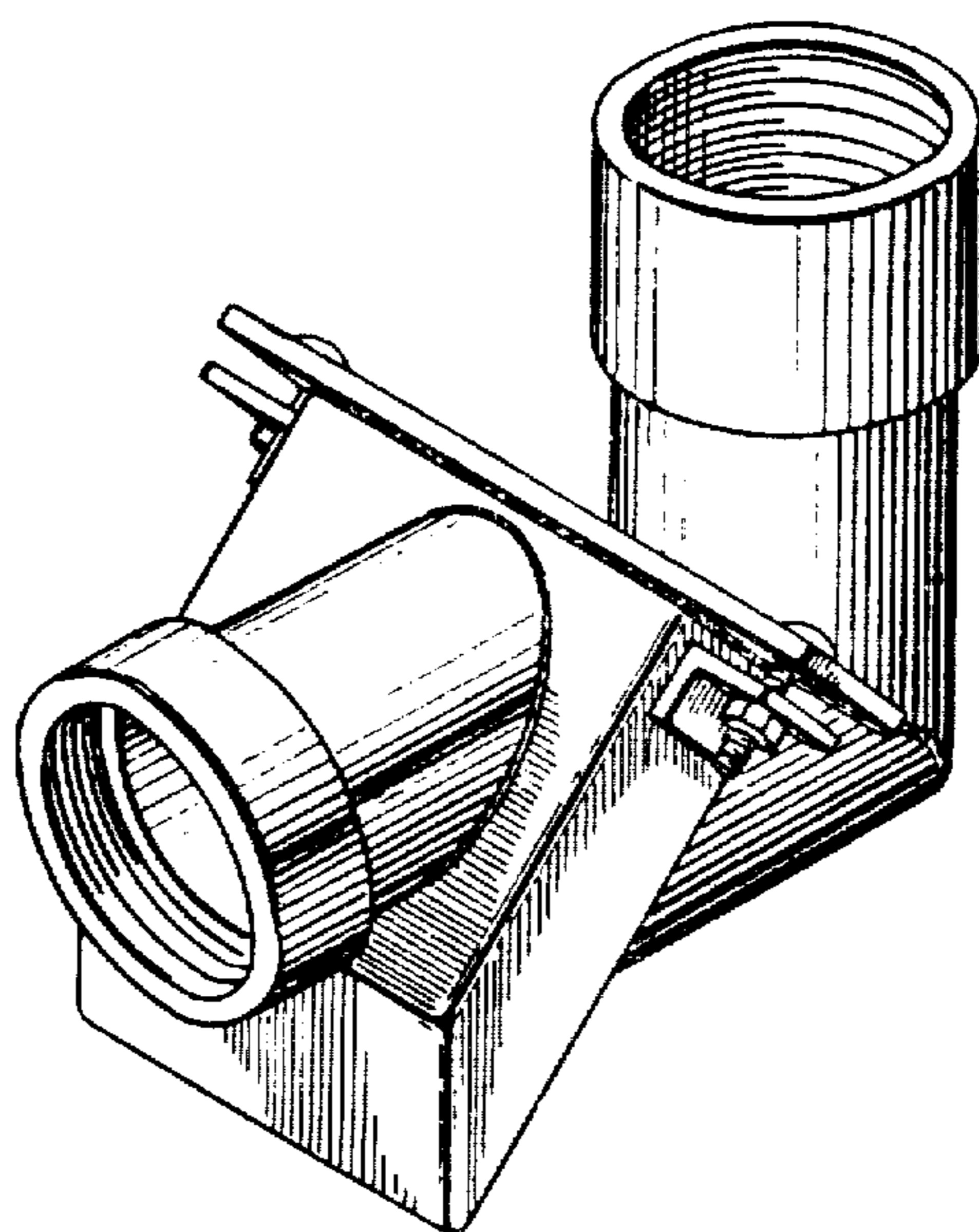
[57] **CLAIM**

The ornamental design for an air control check unit for fireplaces and the like, as shown and described.

DESCRIPTION

FIG. 1 is a perspective view of an air control check unit for fireplaces and the like, showing my new design; FIG. 2 is a top plan view thereof; FIG. 3 is an elevational taken from one side thereof, the opposite side being a mirror image of the side shown; FIG. 4 is an end elevation thereof, viewed from the left of FIG. 3; FIG. 5 is an elevational taken from the end opposite that shown in FIG. 4; and FIG. 6 is a bottom view thereof.

[56] **References Cited**
U.S. PATENT DOCUMENTS
 161,724 4/1875 Winfield 126/143
 D. 257,593 12/1980 Vogel D23/127
 260,199 6/1882 Howard 126/143
 D. 262,310 12/1981 Funk D23/127
 2,740,398 4/1956 Collins 126/143
 2,863,443 12/1958 Hoffman 126/143 X



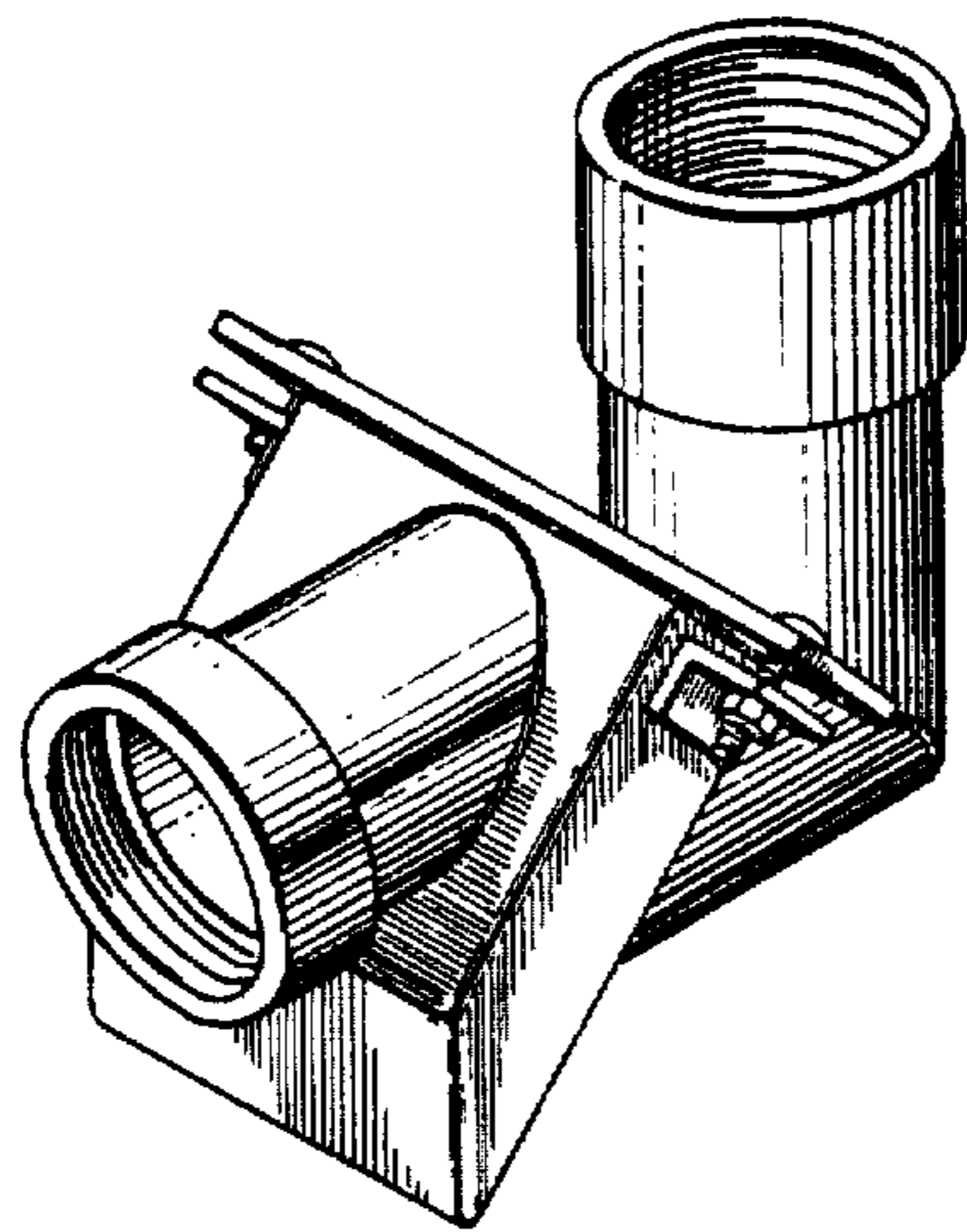


Fig-1

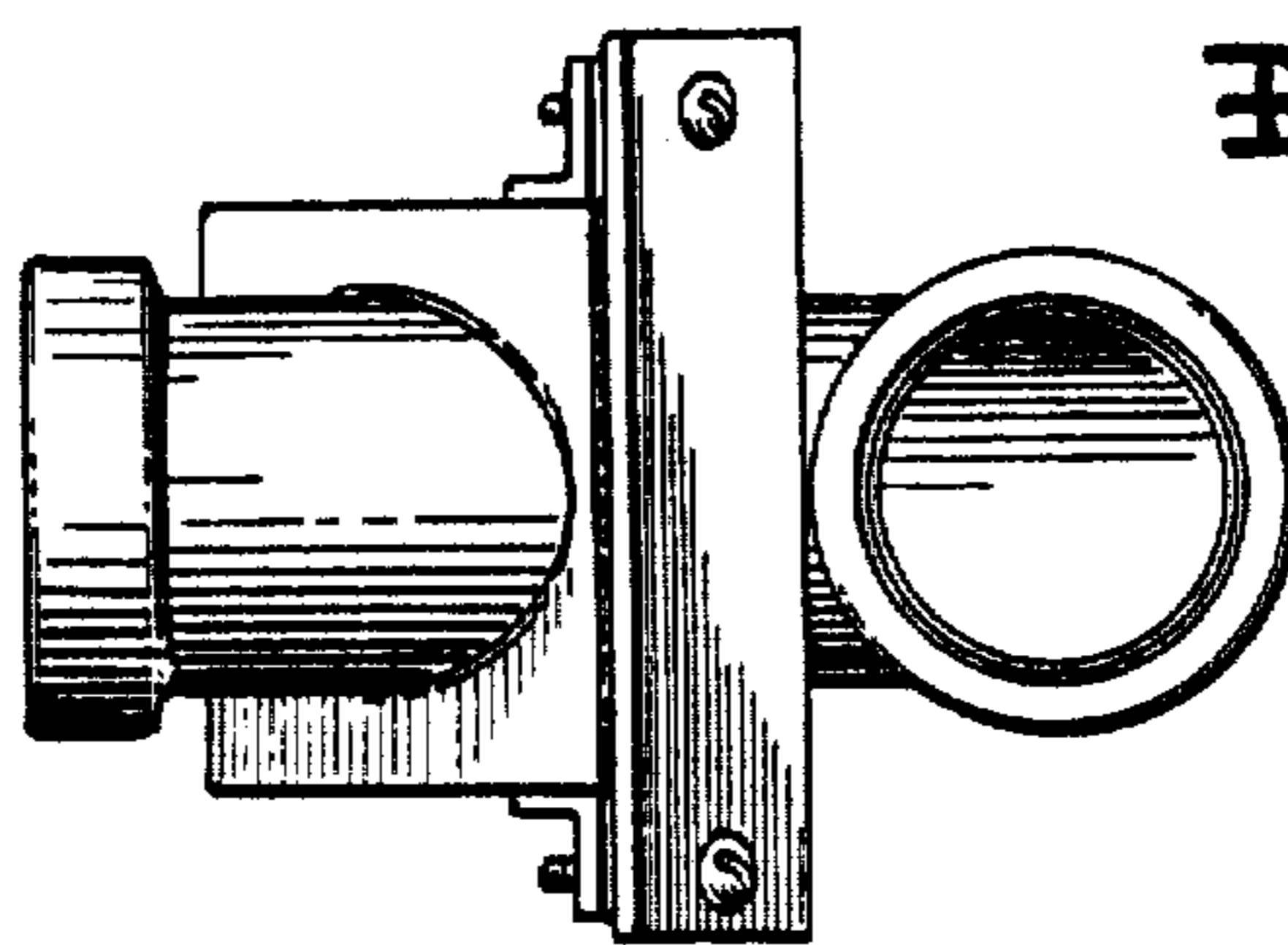


Fig-2

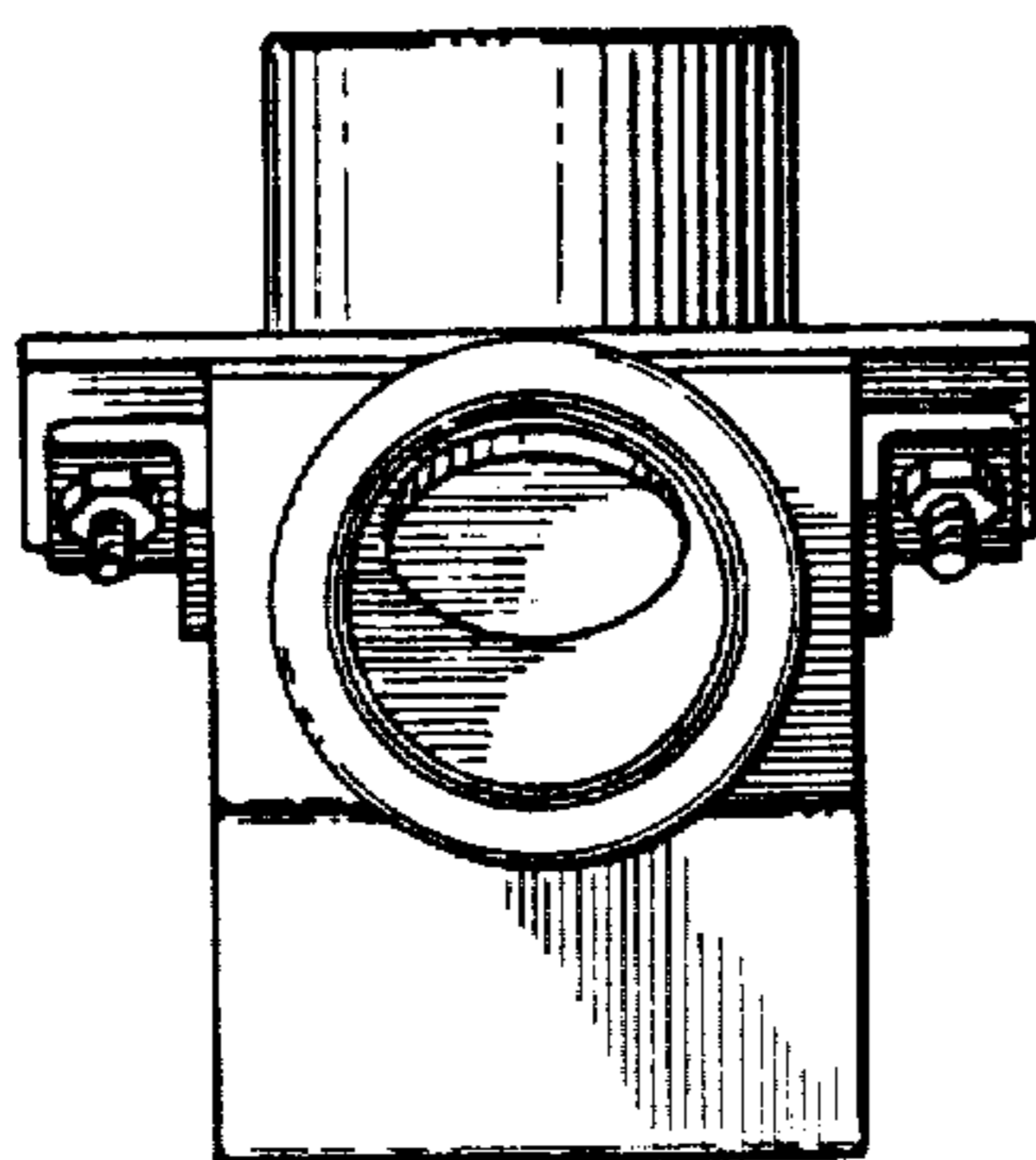


Fig-4

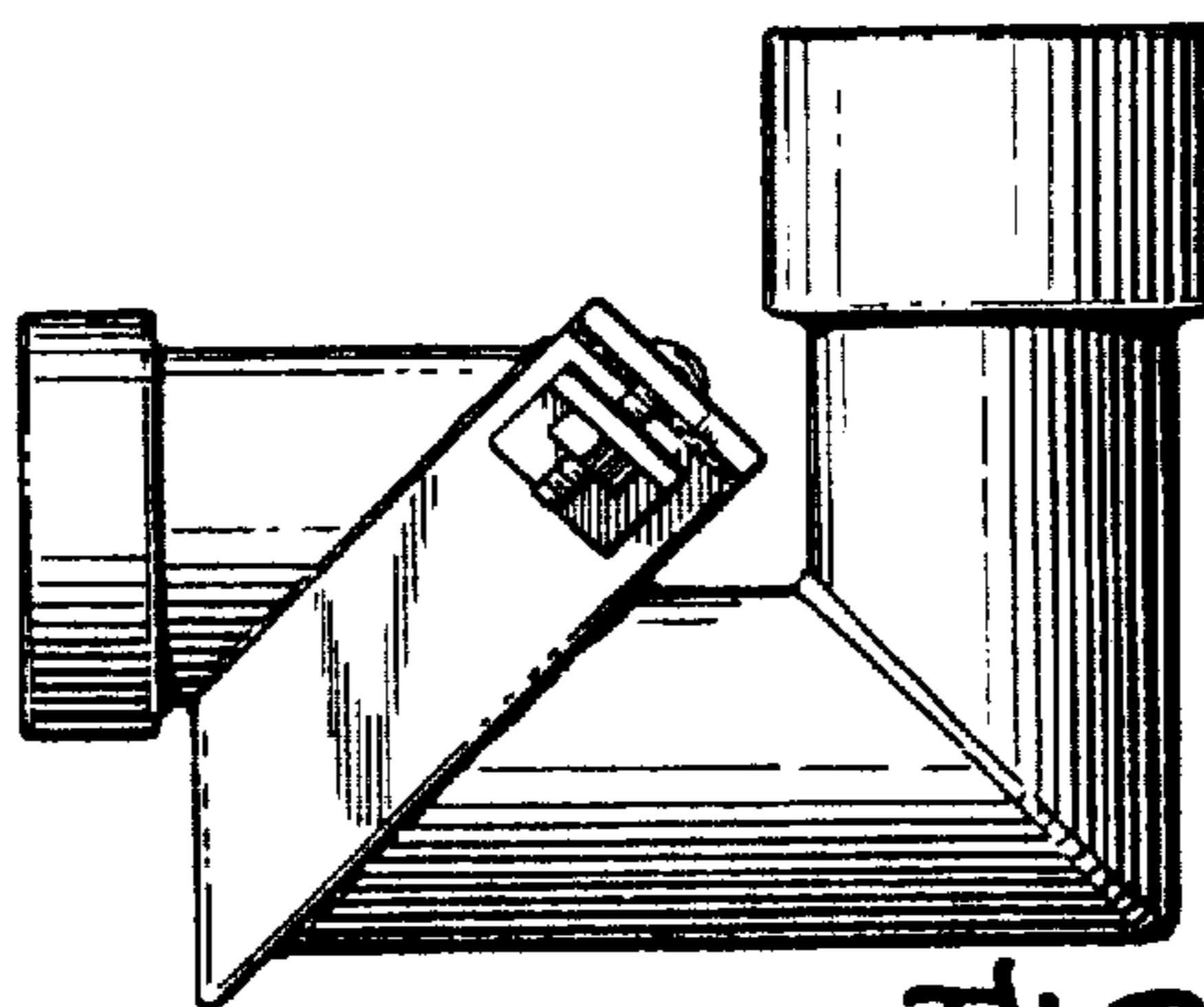


Fig-3

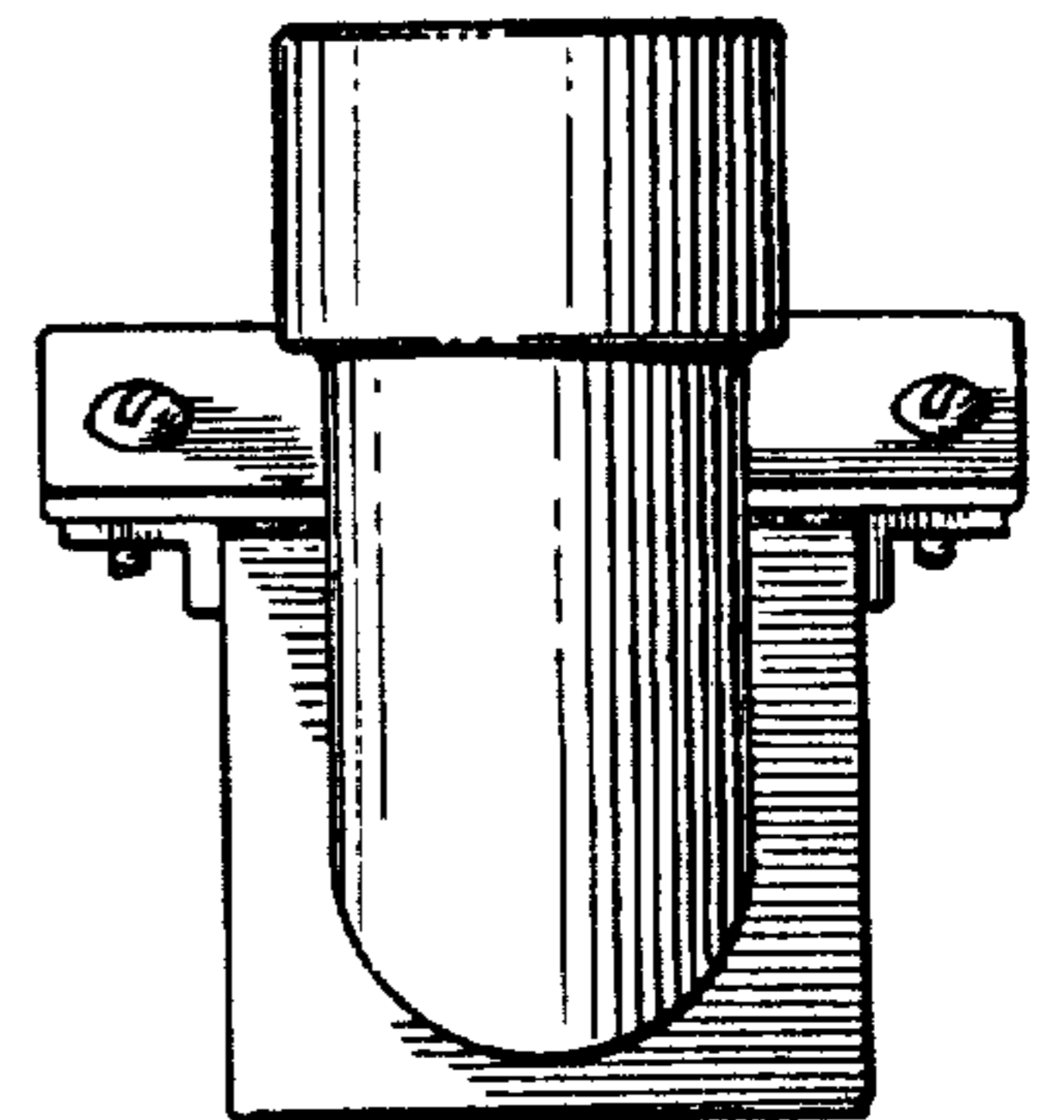


Fig-5

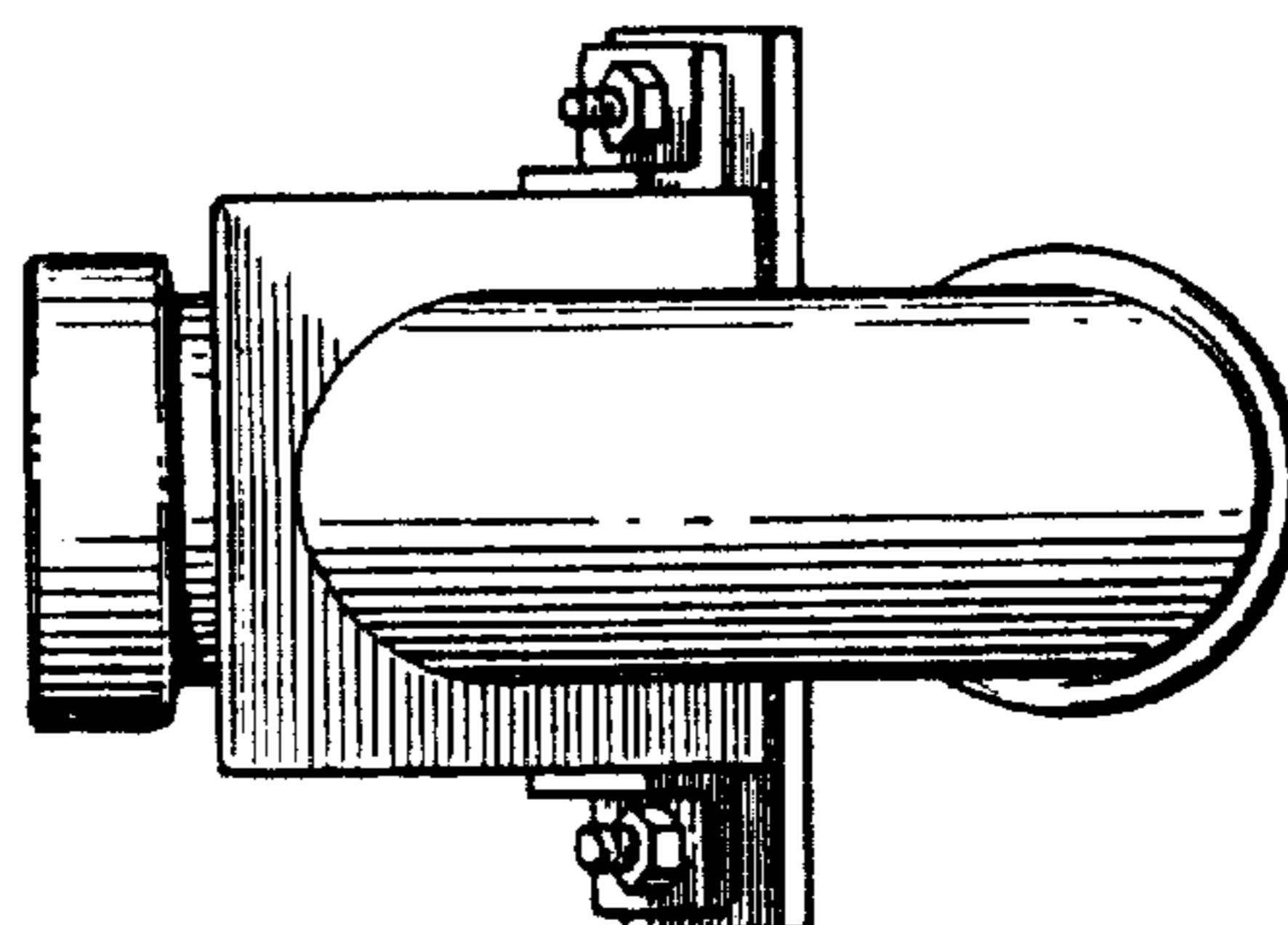


Fig-6