

[54] **IRRIGATION SPRAY NOZZLE**
 [75] Inventor: **Mark Healy**, Orange County, Fla.
 [73] Assignee: **Senninger Irrigation, Inc.**, Orlando, Fla.
 [**] Term: **14 Years**
 [21] Appl. No.: **233,504**
 [22] Filed: **Feb. 11, 1981**
 [51] Int. Cl. **D23-01**
 [52] U.S. Cl. **D23/35**
 [58] Field of Search **D23/6, 34, 35; 239/498, 239/523, 524 A**

696,057 3/1902 Lungtrum 239/524
 1,401,176 12/1921 Miller et al. 239/524
 1,727,111 9/1929 Moore 239/498 X
 1,801,459 4/1931 Slauter 239/524 X
 3,586,244 6/1971 Johnson 239/524
 3,603,512 9/1971 Ham 239/524 X

Primary Examiner—James R. Largent
Attorney, Agent, or Firm—William M. Hobby, III

[57] **CLAIM**

The ornamental design for an irrigation spray nozzle, as shown and described.

DESCRIPTION

FIG. 1 is a perspective view of an irrigation spray nozzle showing my new design;
 FIG. 2 is a fragmentary front elevational view thereof, the rear being the same as the front shown;
 FIG. 3 is an elevational view taken from one side thereof, the opposite side being a mirror image of the side shown;
 FIG. 4 is a fragmentary top plan view thereof; and
 FIG. 5 is a fragmentary bottom plan view thereof.

[56] **References Cited**

U.S. PATENT DOCUMENTS

D. 253,872 1/1980 Addison et al. D23/35
 D. 258,383 2/1981 Addison et al. D23/35
 D. 258,754 3/1981 Addison et al. D23/35
 D. 259,438 6/1981 Meyer D23/35

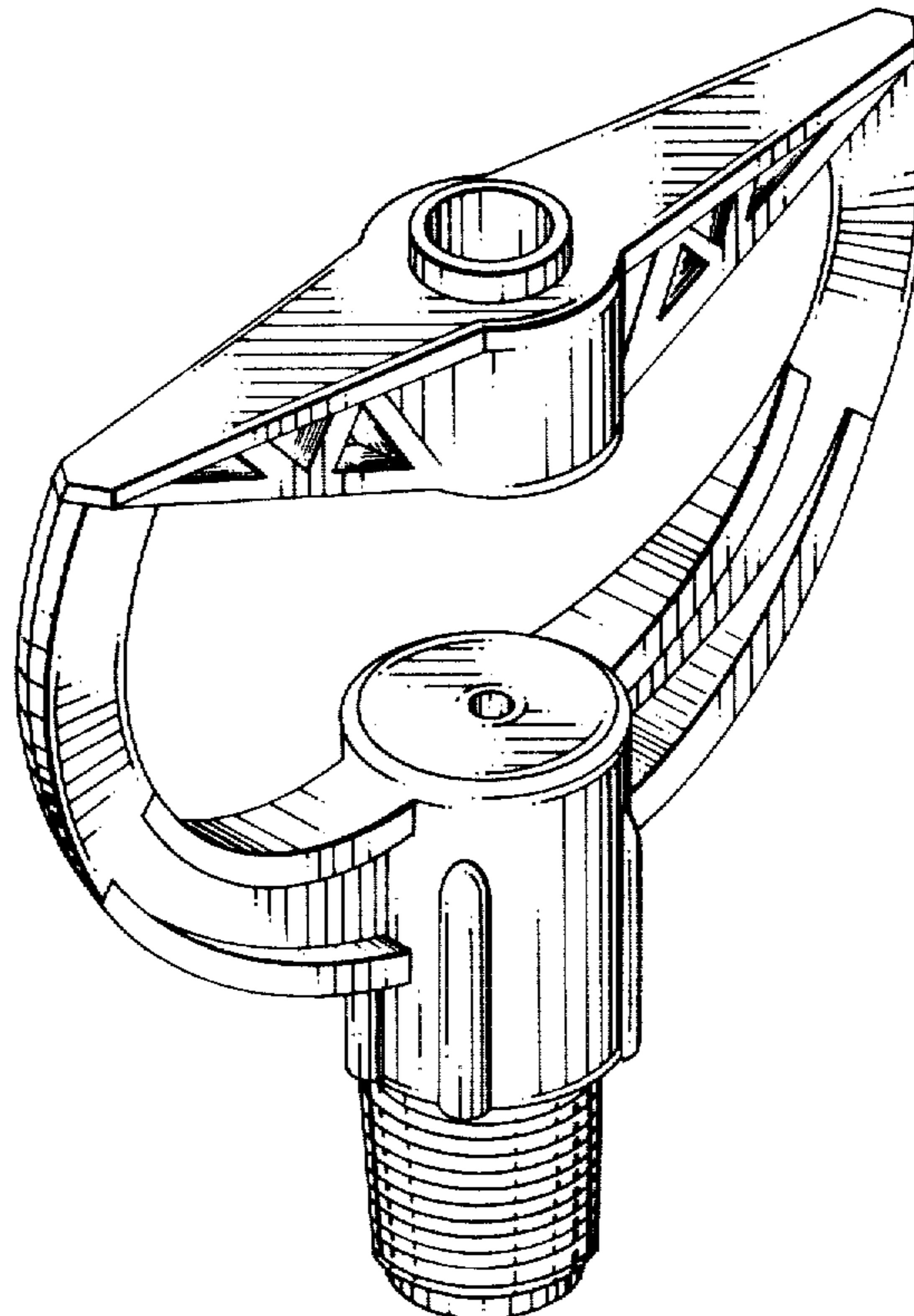


FIG. 1

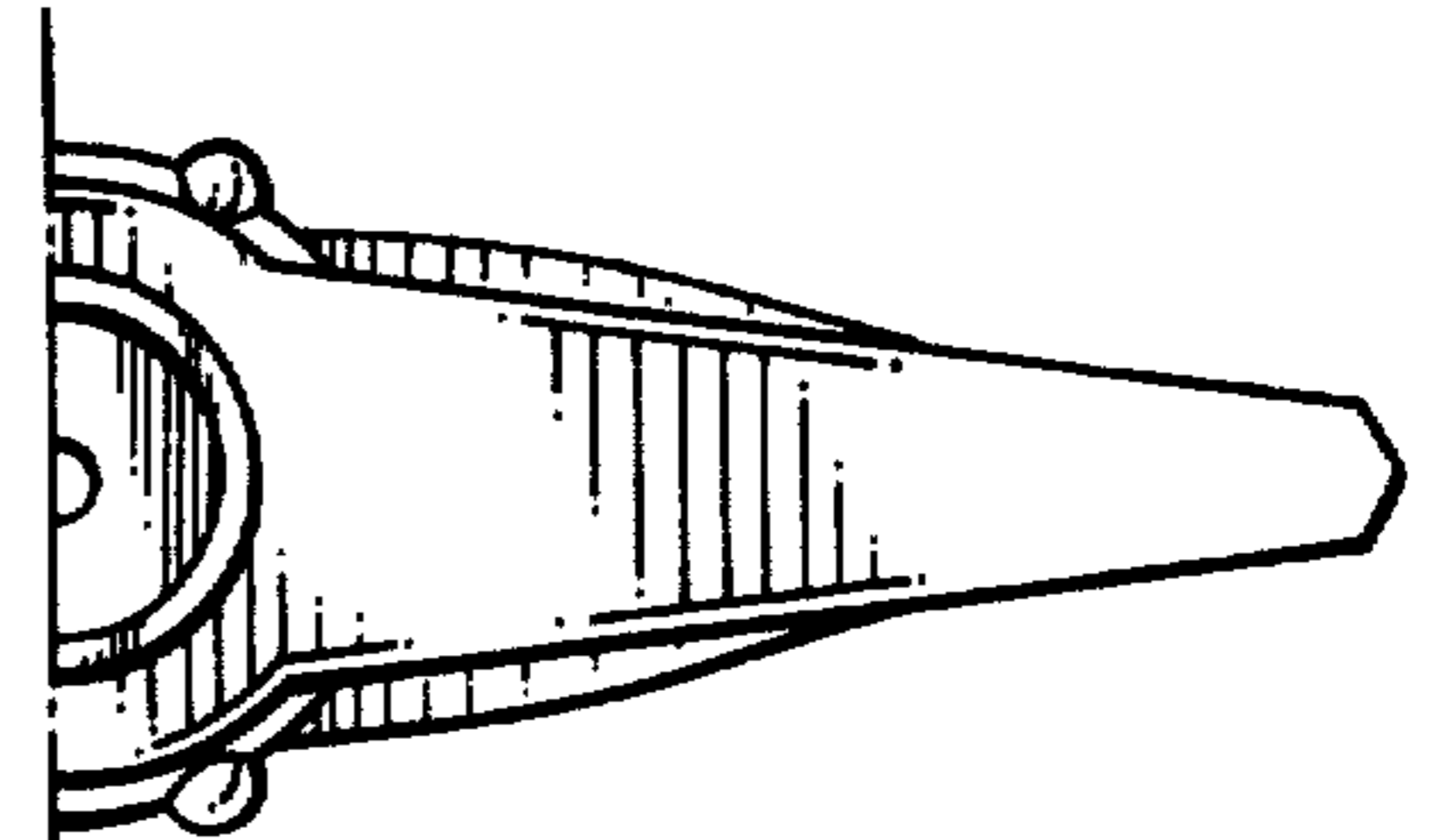
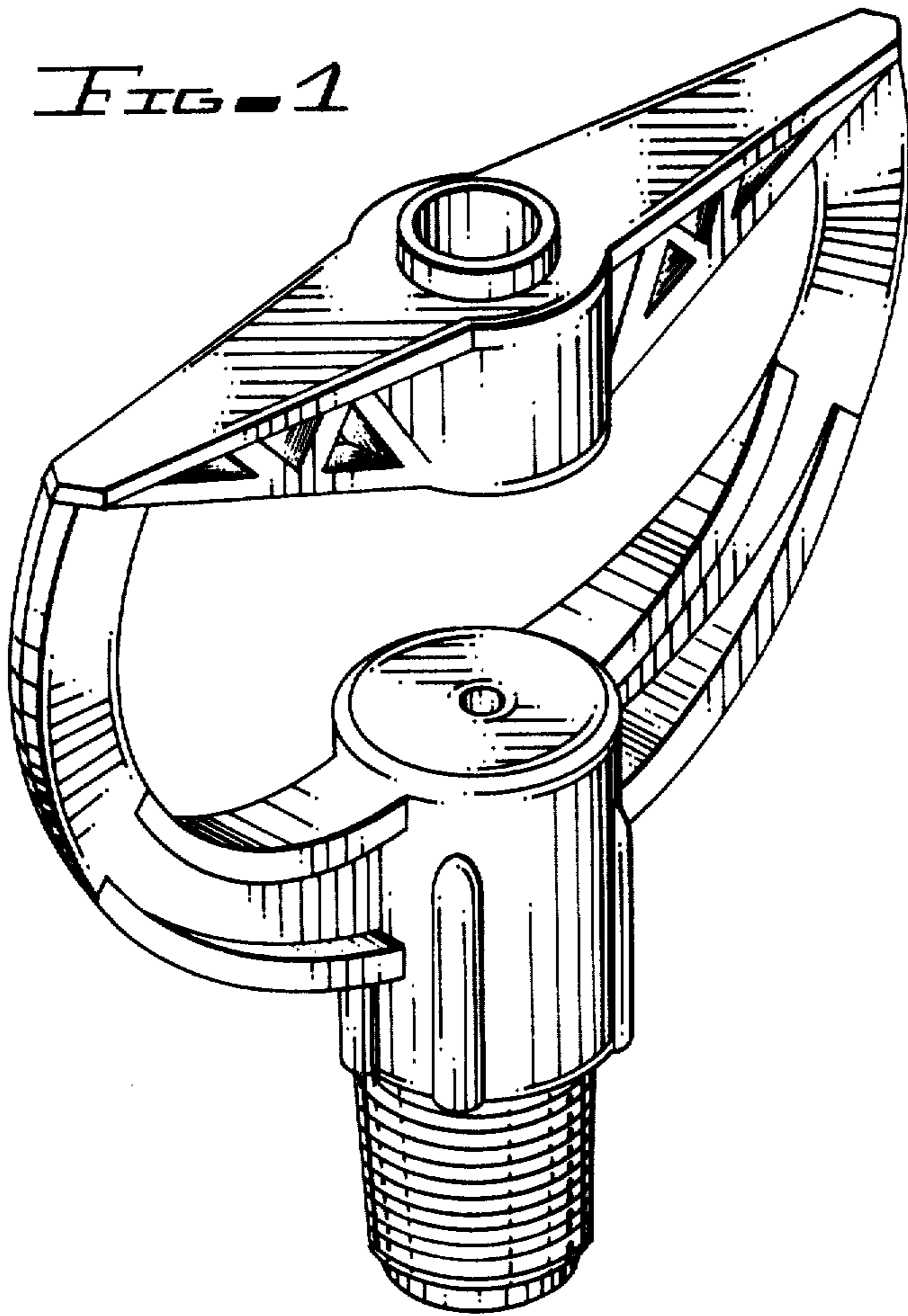


FIG. 4

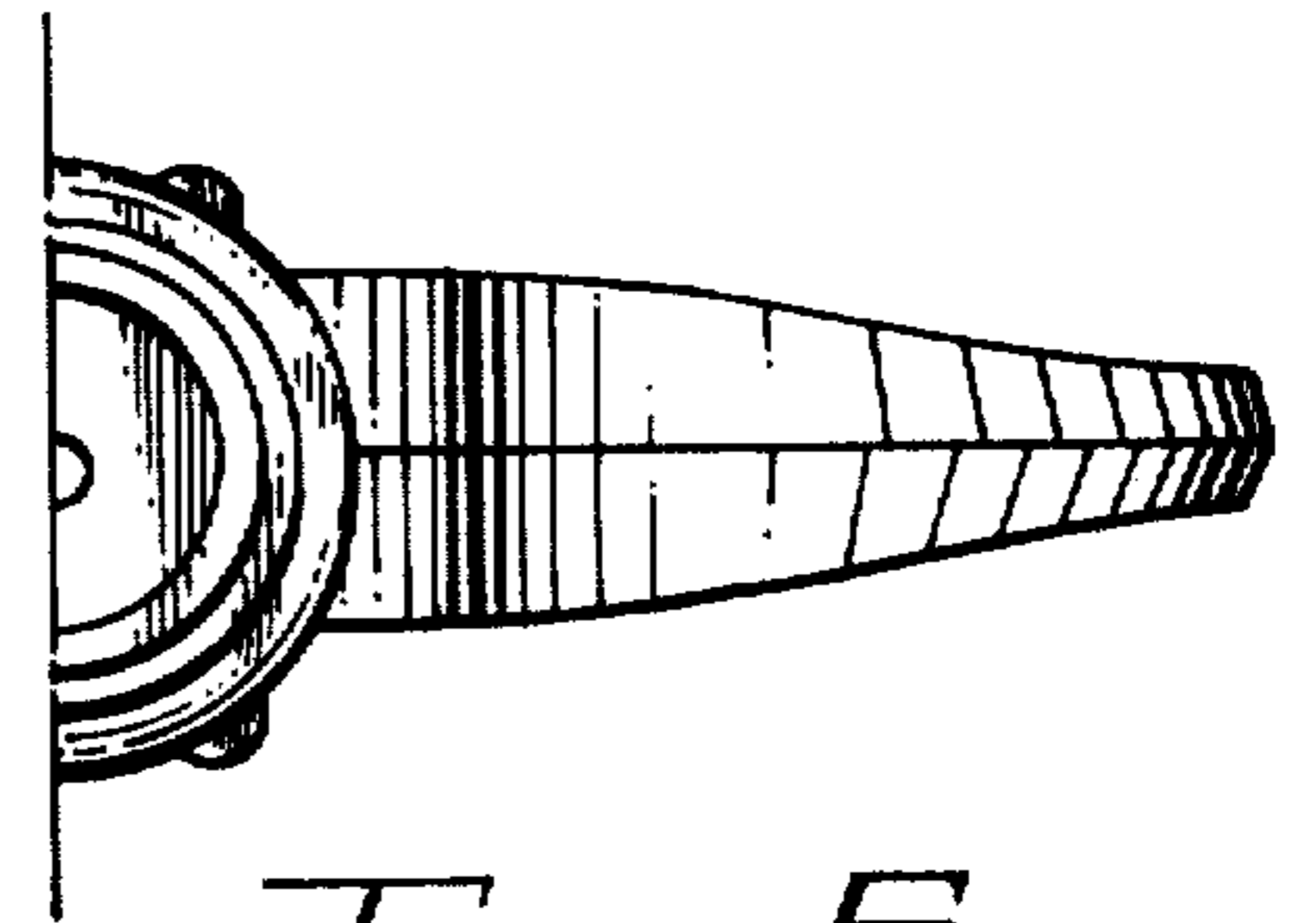


FIG. 5

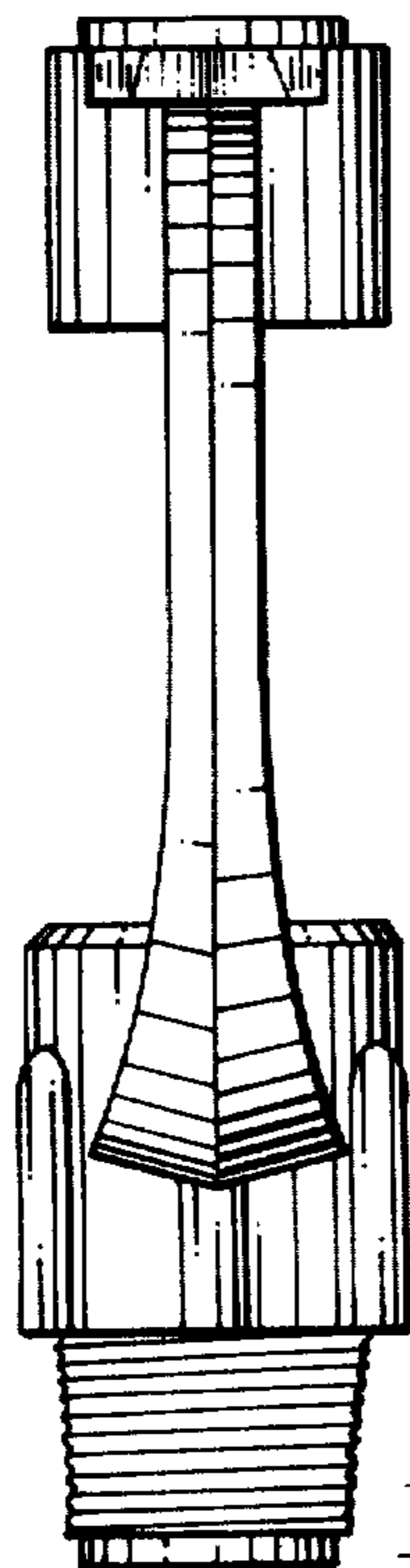


FIG. 3

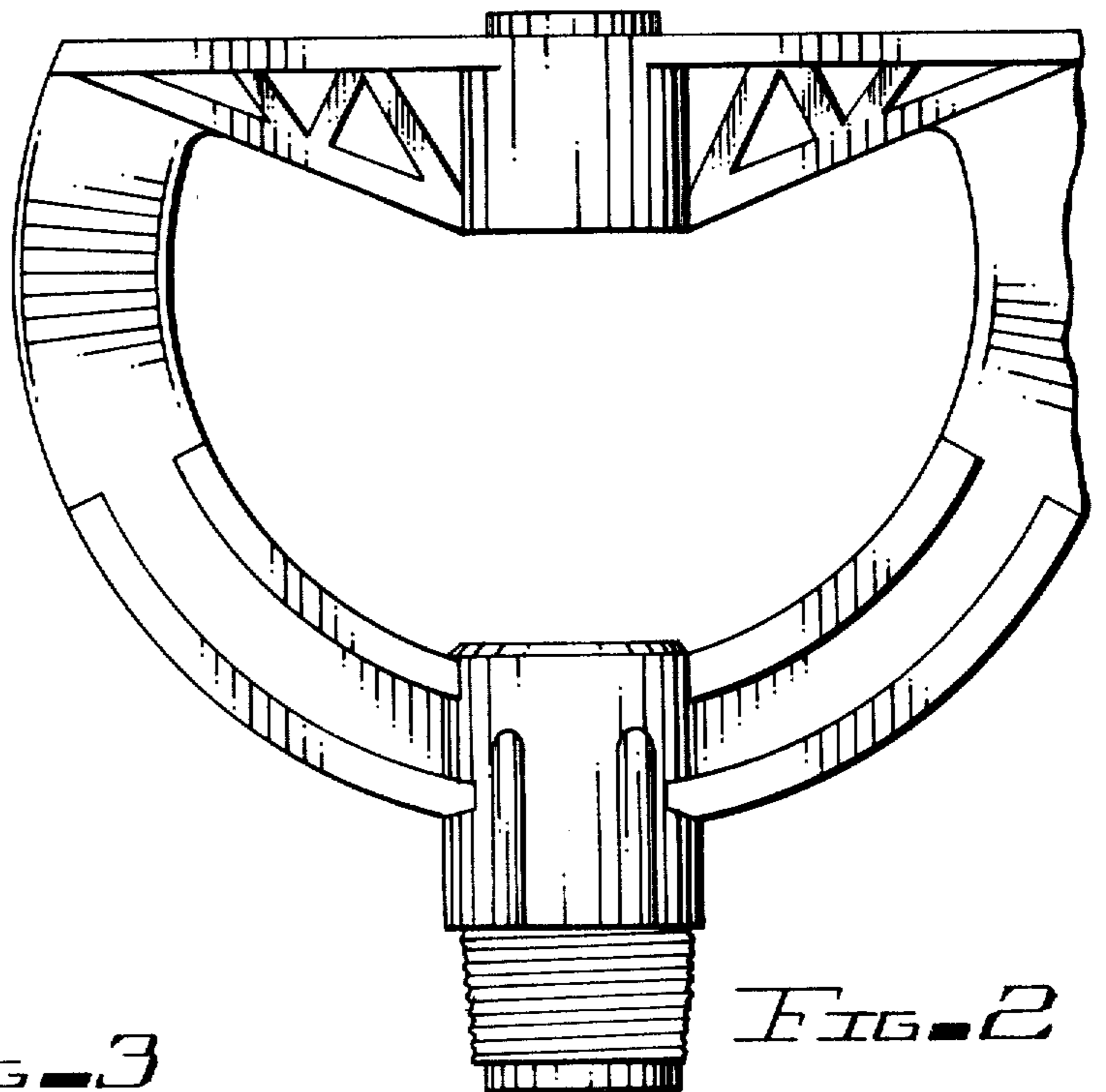


FIG. 2