

[54] HATCH COVER WITH PNEUMATIC SEAL FOR MOBILE OR STATIONARY STORAGE TANKS

[75] Inventors: Carl L. Hardee; Robert E. Wagner, both of Ottawa, Ill.

[73] Assignee: Borg-Warner Chemicals, Inc., Parkersburg, W. Va.

[**] Term: 14 Years

[21] Appl. No.: 269,928

[22] Filed: Jun. 2, 1981

[51] Int. Cl. D23-01; D12-03

[52] U.S. Cl. D23/2; D12/43; D12/317

[58] Field of Search D12/42, 43, 156, 317; D23/1, 2; D9/454, 447; 160/368 G; 141/392; 220/202, 203, 303, 361, 85 F, 85 S, 85 SP, 86 R

[56] References Cited

U.S. PATENT DOCUMENTS

D. 247,848	5/1978	Croyle	D9/447
1,342,639	6/1920	Marcuse	220/85 SP
1,715,328	5/1929	Joncha	220/86 R
2,947,453	8/1960	Parish, Jr. et al.	220/85 SP

Primary Examiner—James M. Gandy
Attorney, Agent, or Firm—Richard J. Schlott

[57] CLAIM

The ornamental design for a hatch cover with pneumatic seal for mobile or stationary storage tanks, substantially as shown and described.

DESCRIPTION

FIG. 1 is a perspective view of a hatch cover with pneumatic seal for mobile or stationary storage tanks showing our new design;
FIG. 2 is a front elevational view thereof;
FIG. 3 is a side elevational view thereof;
FIG. 4 is a top plan view thereof; and
FIG. 5 is a bottom plan view thereof.

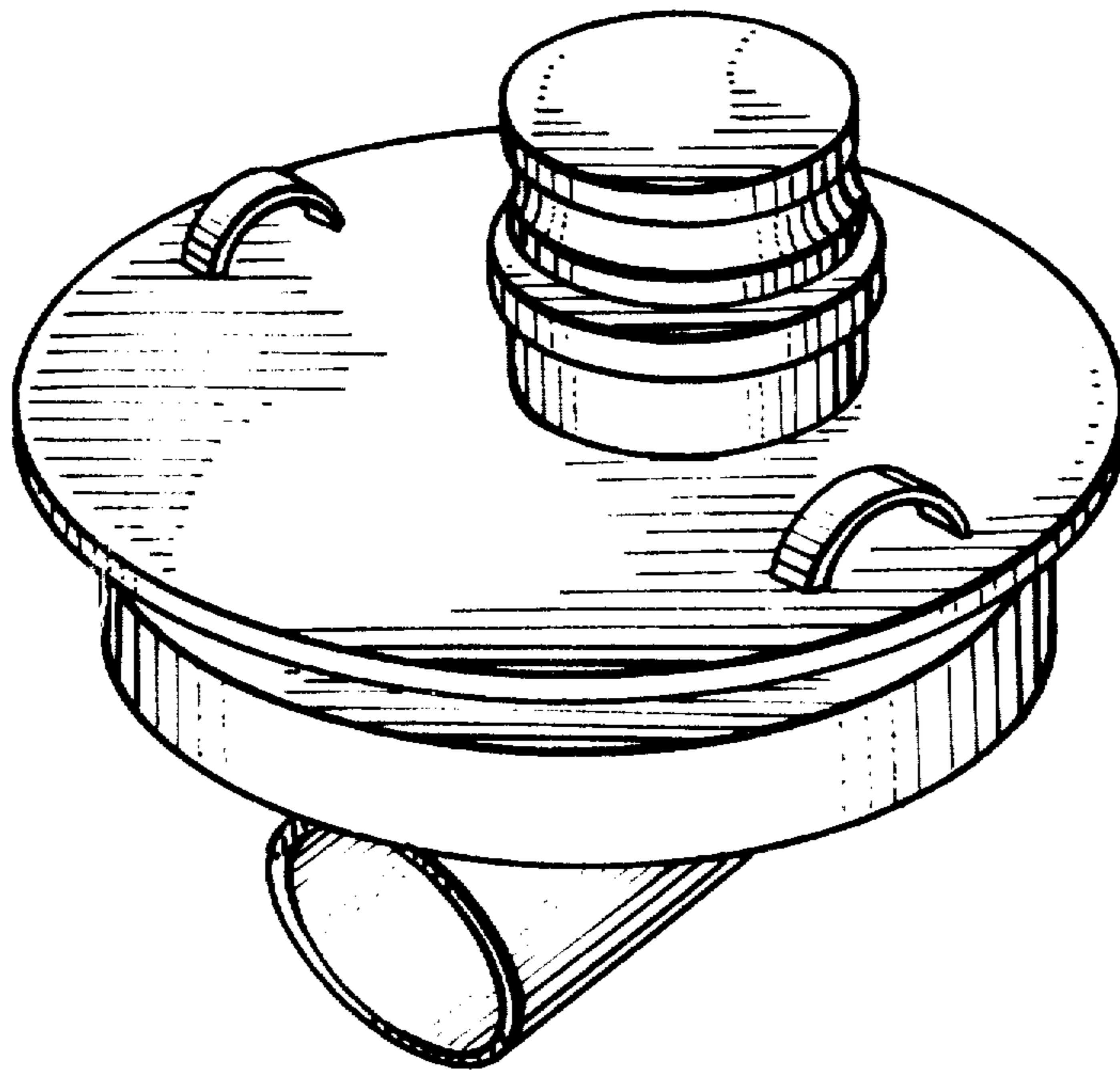


FIG. 1.

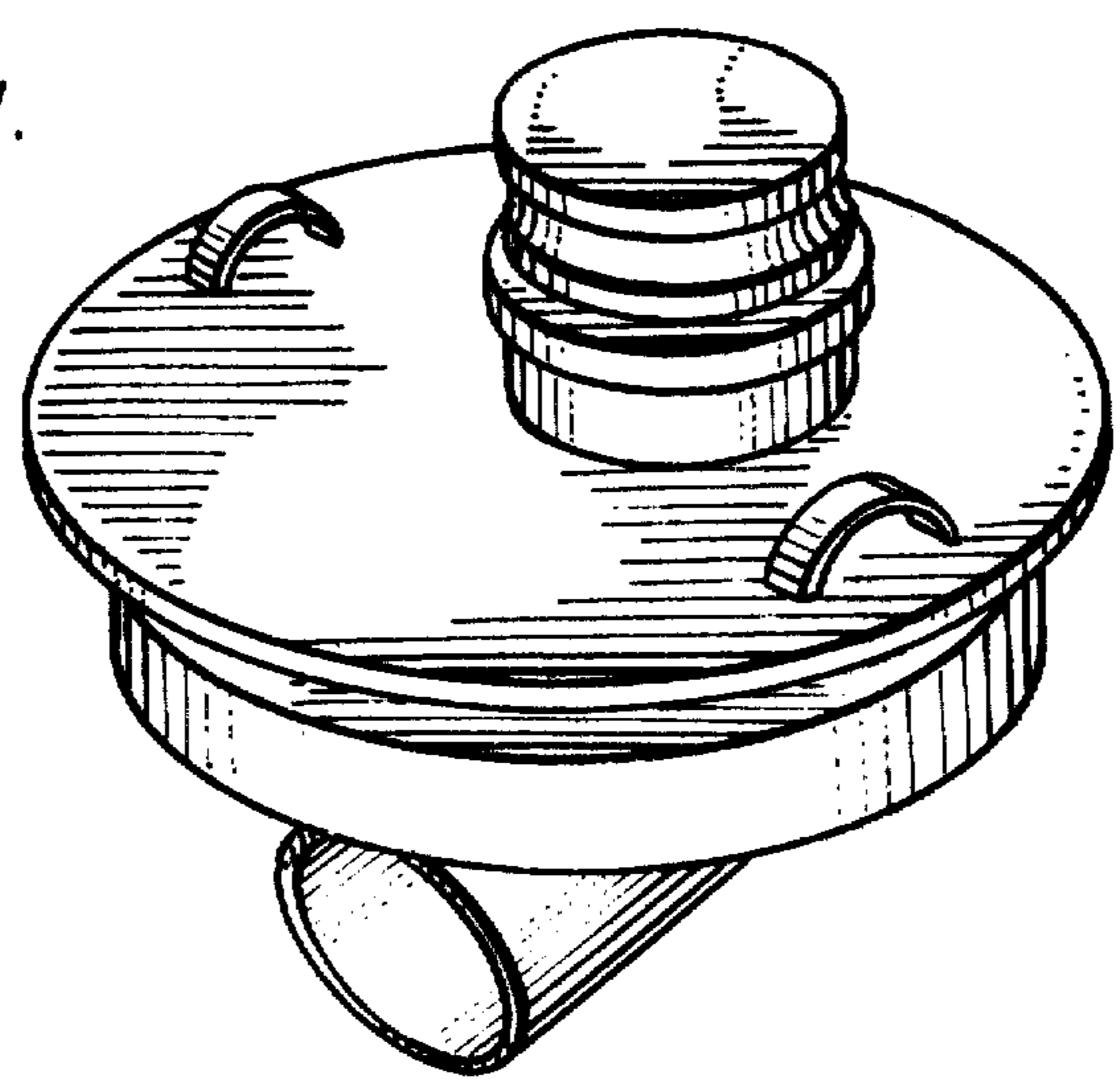


FIG. 2.

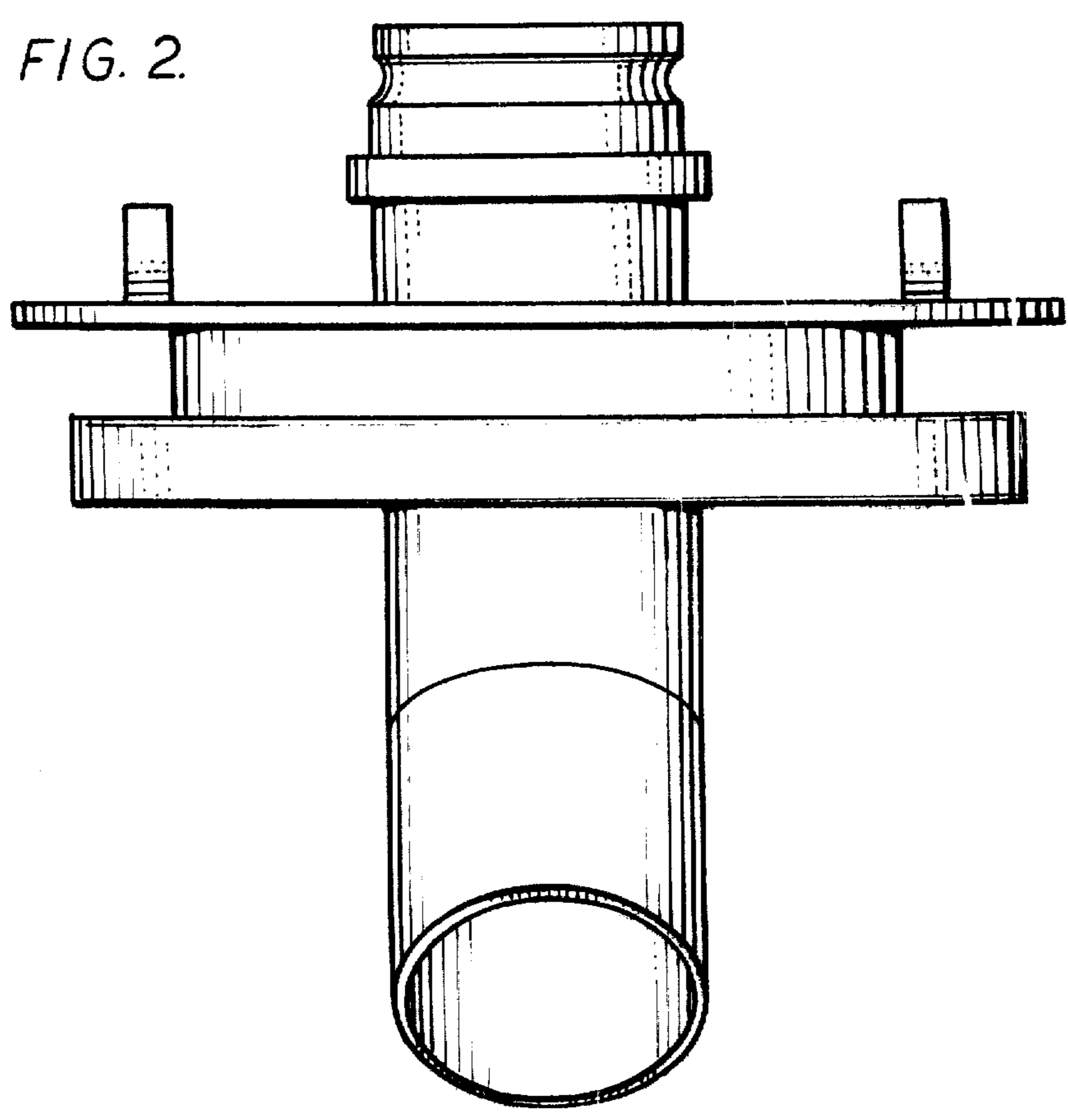


FIG. 3.

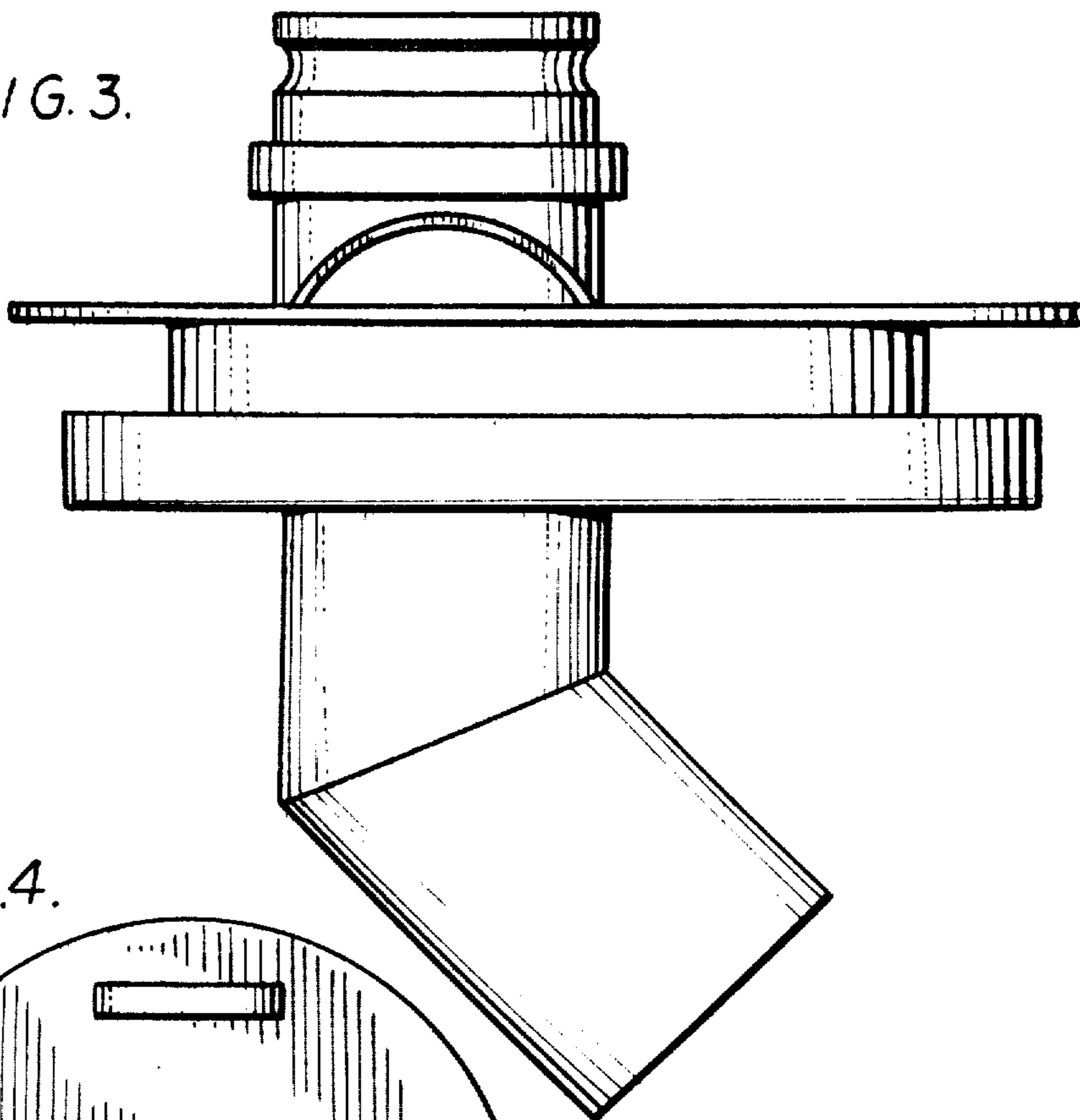


FIG. 4.

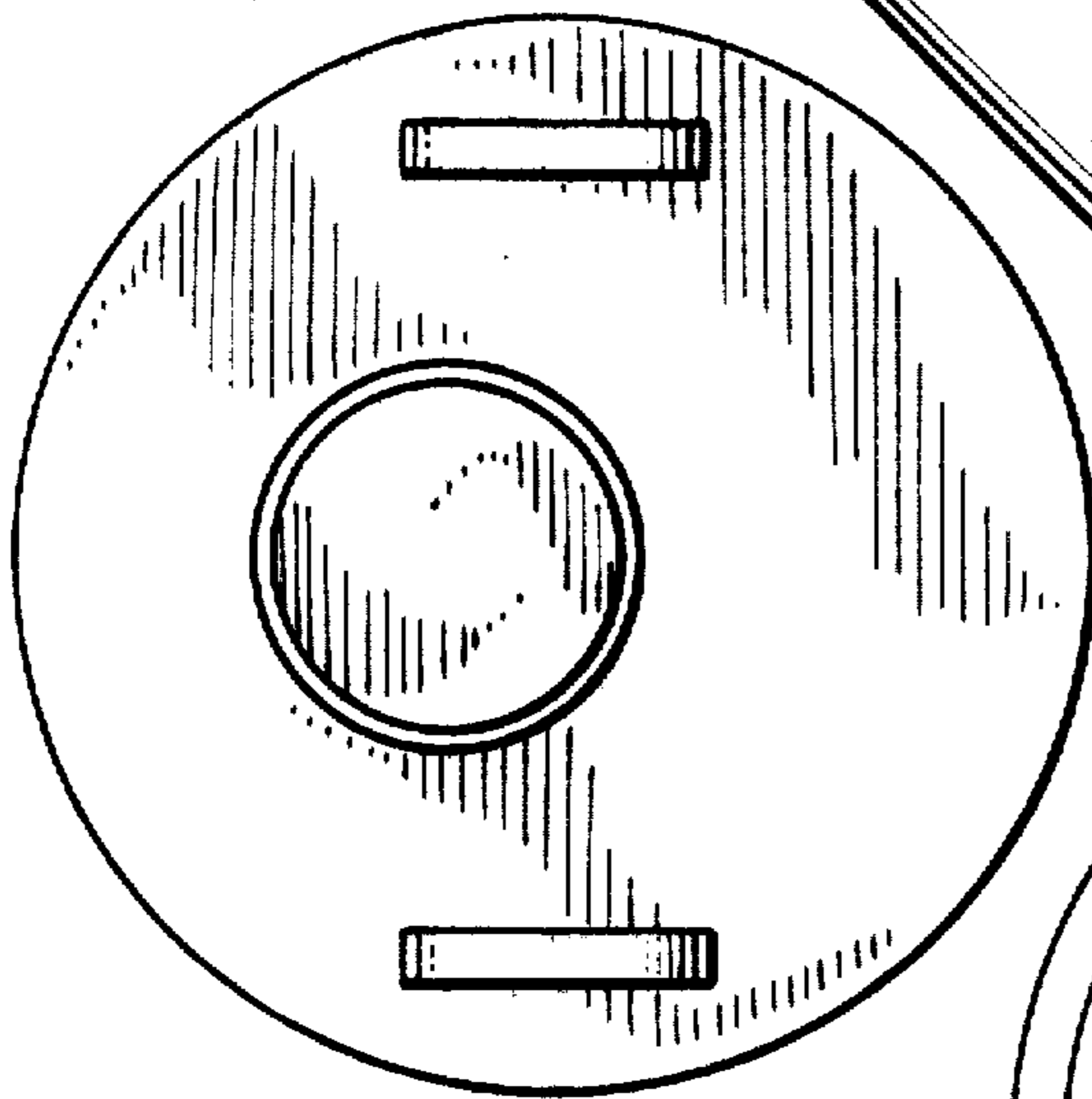


FIG. 5.

