

[54] PLAYGROUND EQUIPMENT STEP

[76] Inventors: **Gerald Beekenkamp**, 4115 Rolling Valley Dr., Erin Mills, Ontario; **Donald Curtis**, R.R. #2, Paris, Ontario, both of Canada

[**] Term: **14 Years**

[21] Appl. No.: **316,066**

[22] Filed: **Oct. 28, 1981**

[51] Int. Cl. **D21—03**

[52] U.S. Cl. **D21/245; D21/242; D21/244; D25/62; D25/69**

[58] Field of Search **D21/242-246; D25/62, 68, 69; 272/56.5, 113; 184/46, 178, 194, 228**

[56] **References Cited**

U.S. PATENT DOCUMENTS

- D. 213,271 1/1969 Gale D21/244
- D. 221,963 9/1971 Henning D21/244

FOREIGN PATENT DOCUMENTS

- 46264 11/1979 Canada .
- 46331 12/1979 Canada .
- 46332 12/1979 Canada .

Primary Examiner—Melvin B. Feifer
Attorney, Agent, or Firm—Bradford E. Kile

[57] **CLAIM**

The ornamental design for playground equipment step, as shown and described.

DESCRIPTION

FIG. 1 is a perspective view of a playground equipment step showing our new design.

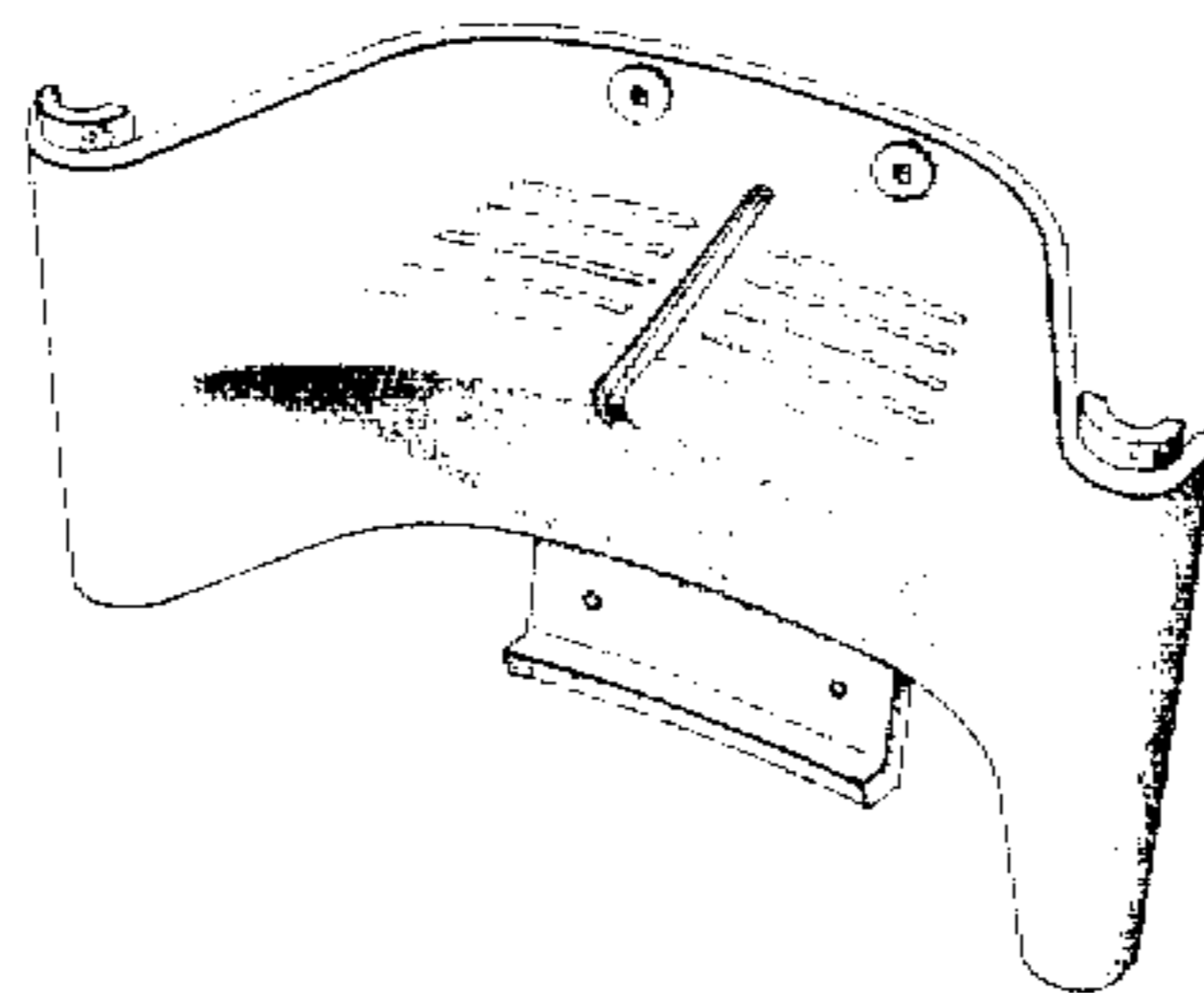
FIG. 2 is a side view of the step shown in FIG. 1, the two side views being identical.

FIG. 3 is a top view of the step shown in FIG. 1, as seen along line-of-sight III in FIG. 2.

FIG. 4 is a bottom view of the step shown in FIG. 1, as seen along line-of-sight IV in FIG. 3.

FIG. 5 is a front view of the step shown in FIG. 1, as seen along line-of-sight V in FIG. 2.

FIG. 6 is a back view of the step shown in FIG. 1, as seen along line-of-sight VI in FIG. 2.



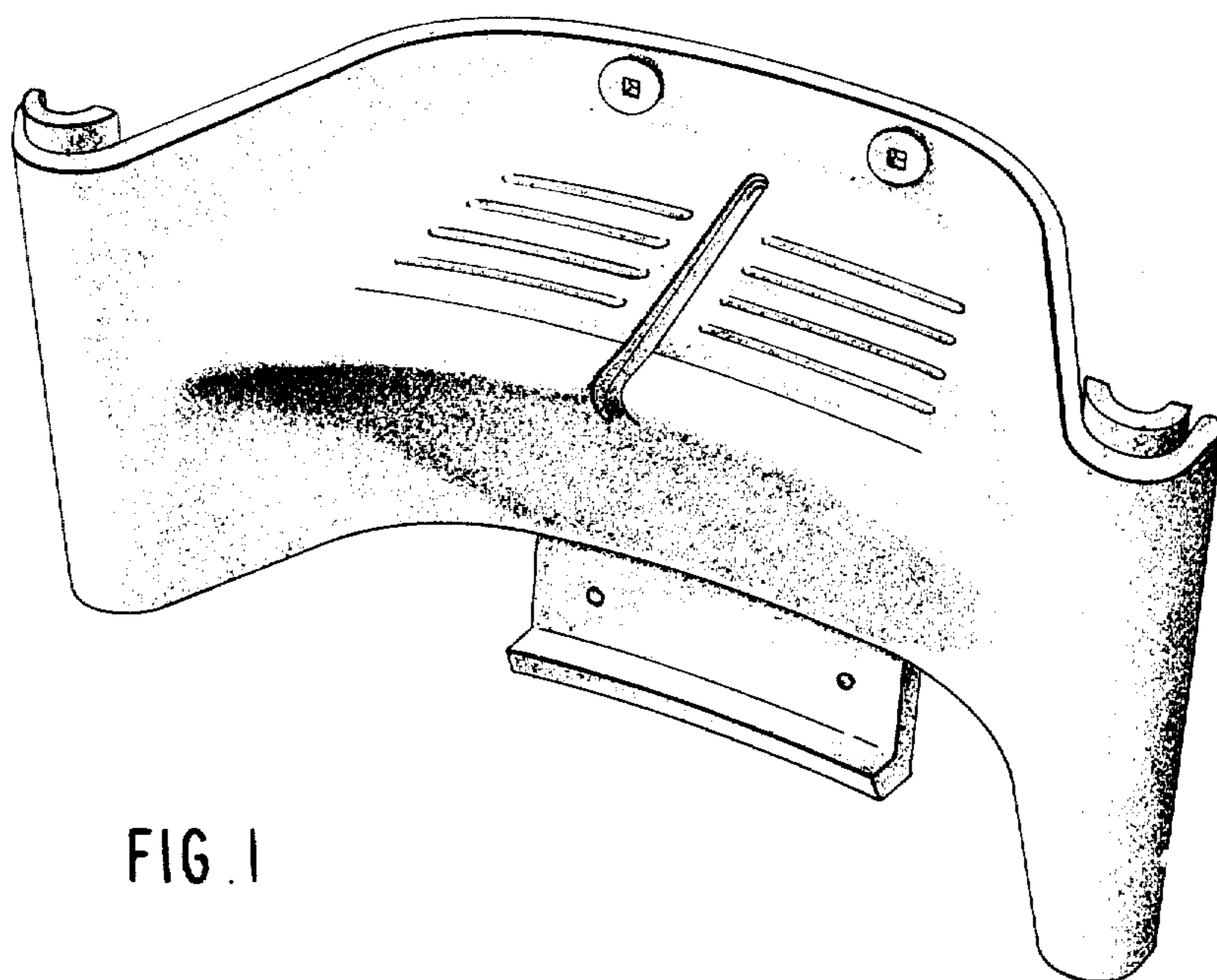
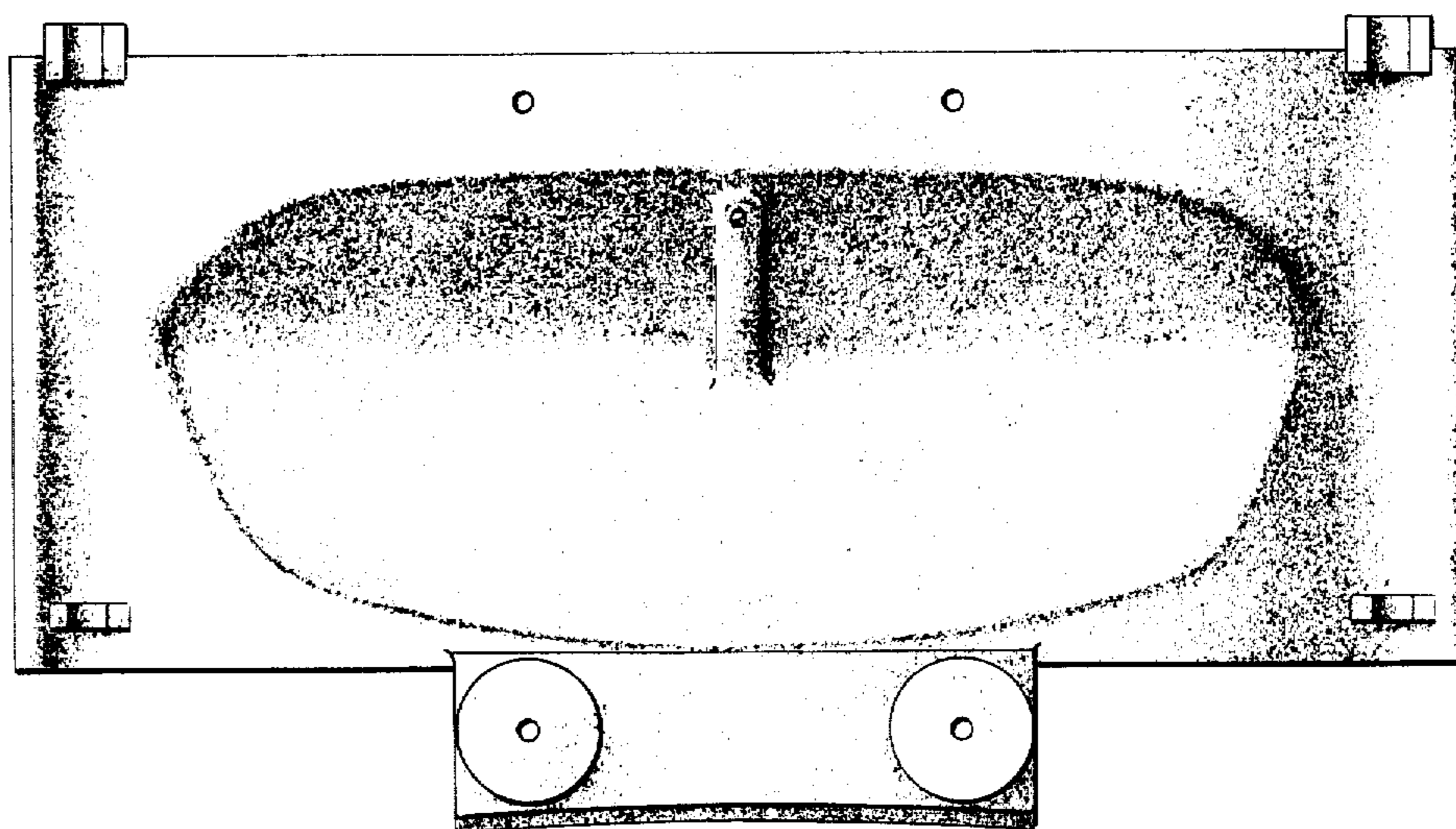


FIG. 1

FIG. 6



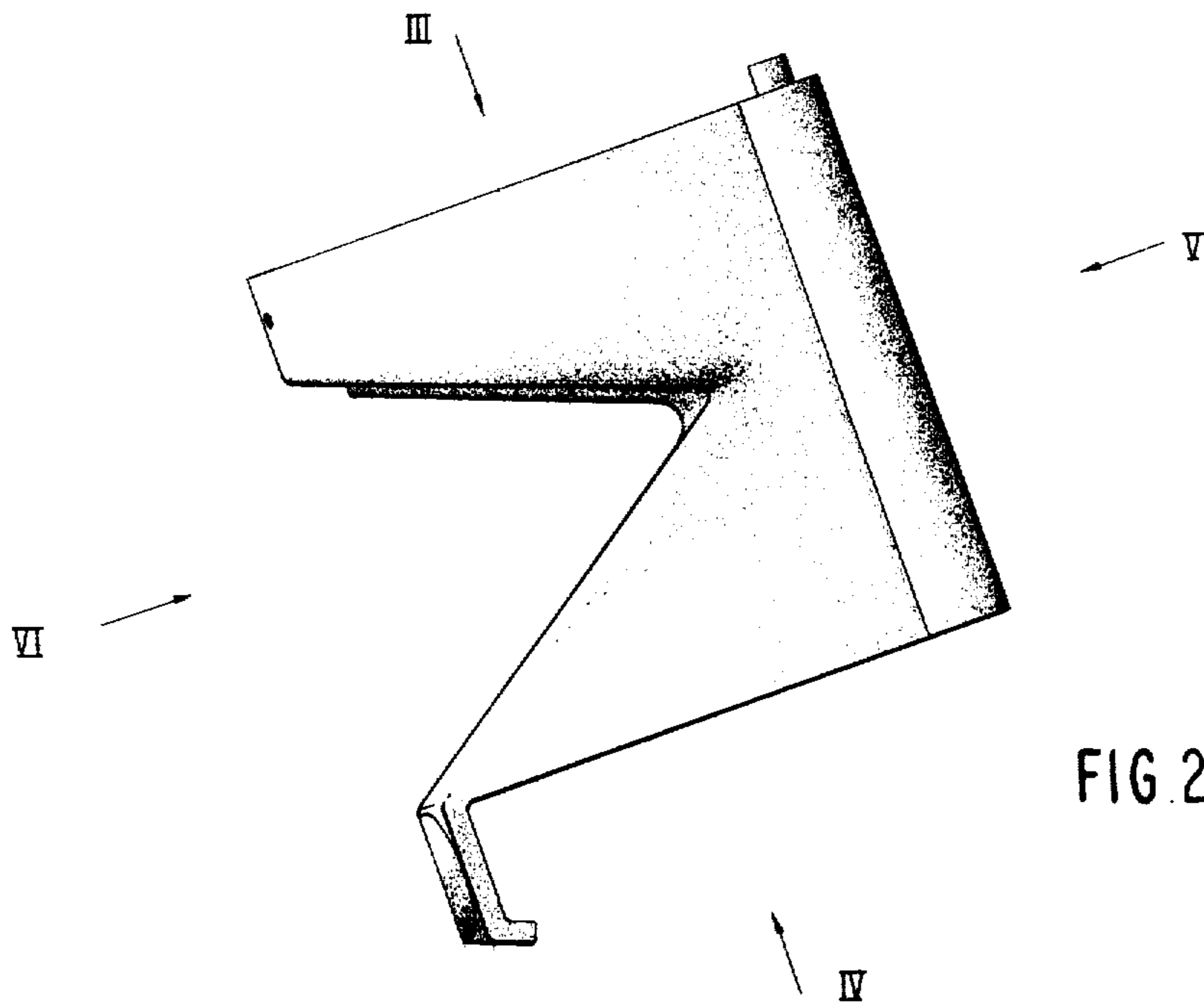


FIG. 2

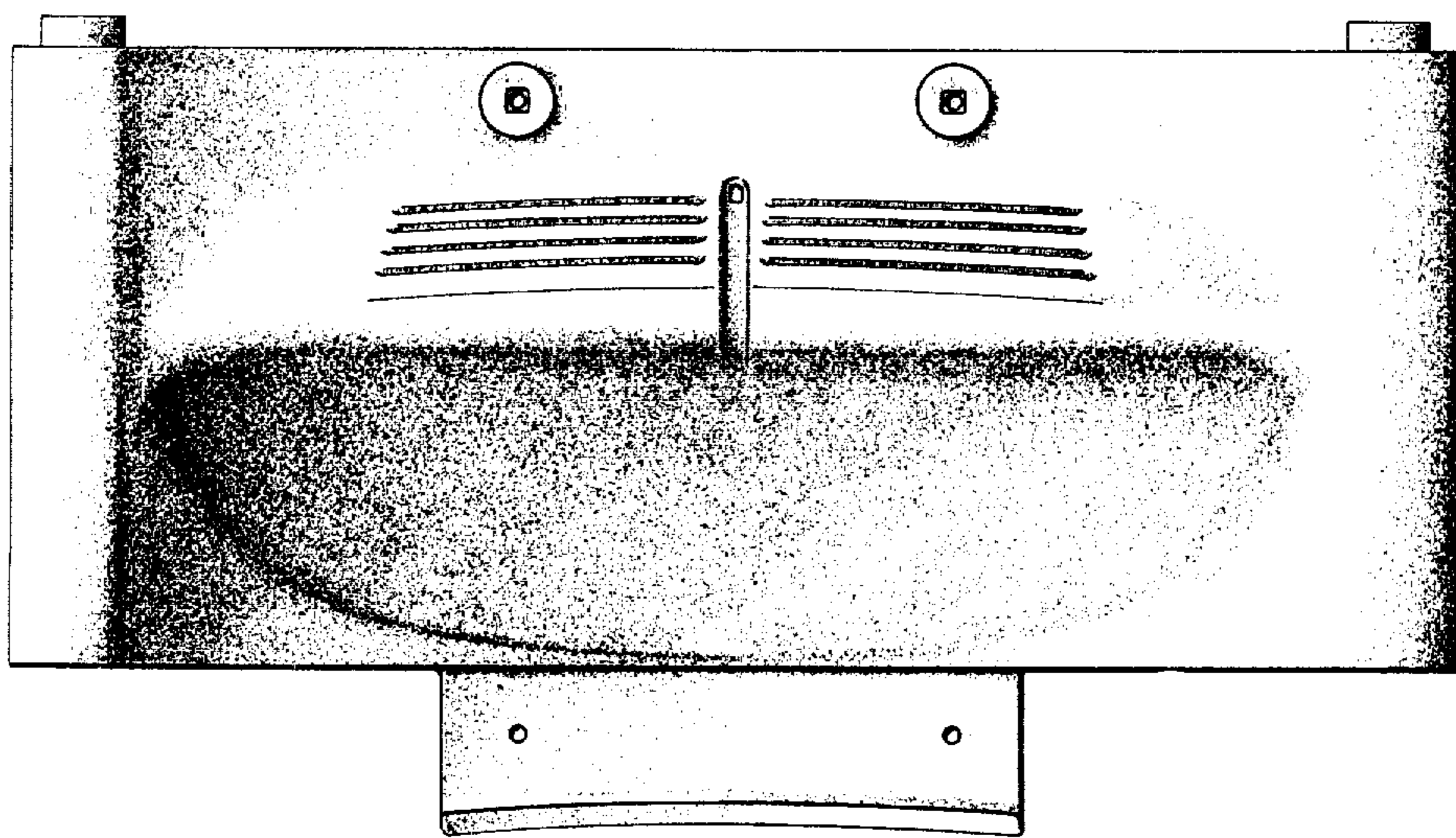


FIG. 5

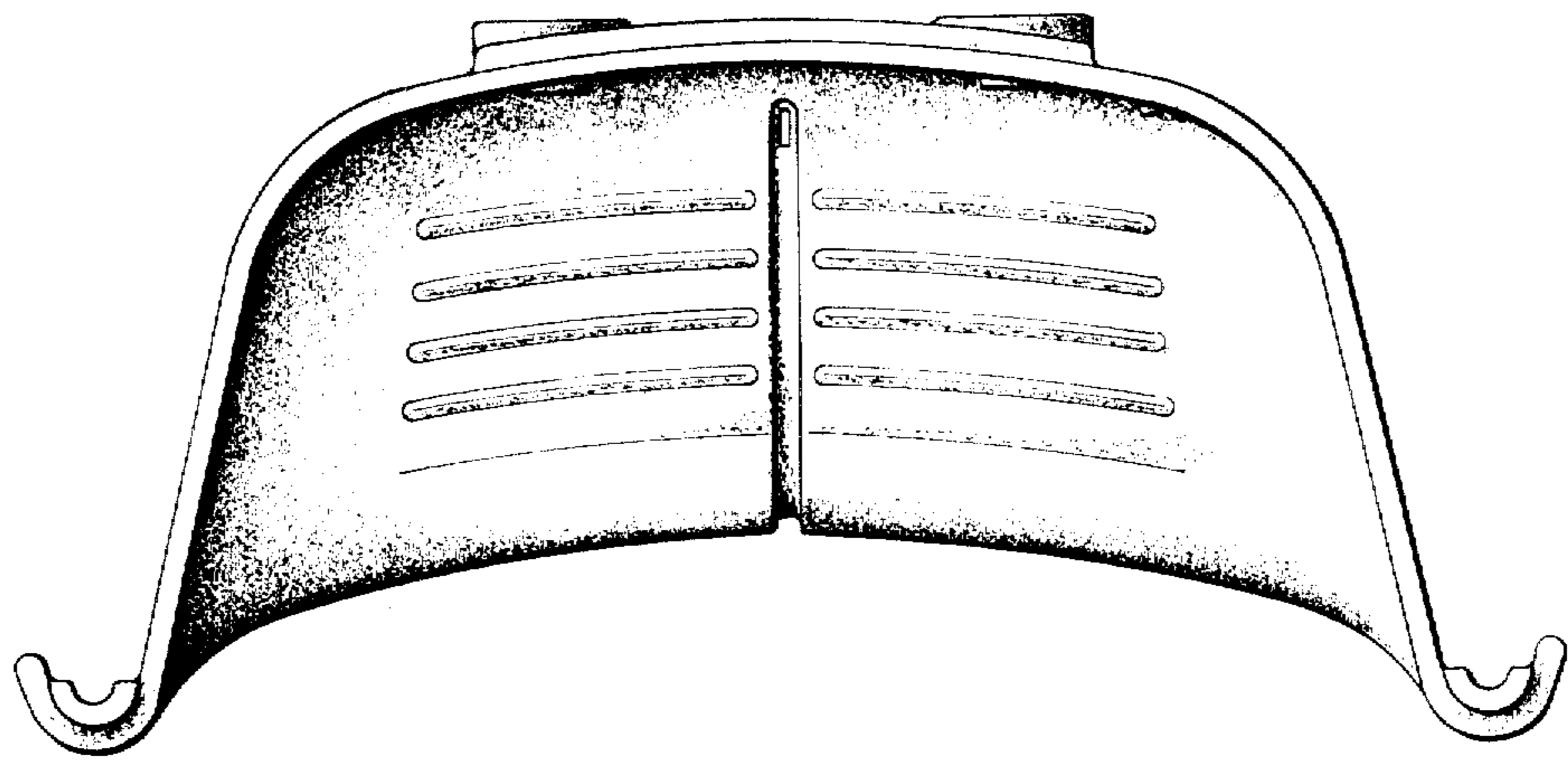


FIG. 3

FIG. 4

