

[54] TOY CRANE

[75] Inventors: Akira Takasaka; Tetsuo Ohkado, both of Tokyo, Japan
[73] Assignee: Tomy Kogyo Co., Inc., Tokyo, Japan
[**] Term: 14 Years
[21] Appl. No.: 275,581
[22] Filed: Jun. 19, 1981

[30] Foreign Application Priority Data

Sep. 9, 1980 [JP] Japan 55-37160

[51] Int. Cl. D21-01
[52] U.S. Cl. D21/135
[58] Field of Search D15/10, 22; 46/202, 46/214, 222, 223; D21/128, 132, 133, 135, 134

[56] References Cited

U.S. PATENT DOCUMENTS

D. 253,183 10/1979 Peterson D21/132

OTHER PUBLICATIONS

New Life Trading Co. Flier, item #5121, "Bump 'N Go".
Asahi-Toy Catalog, 1980, p. 28, item S-378, Toy Crane.

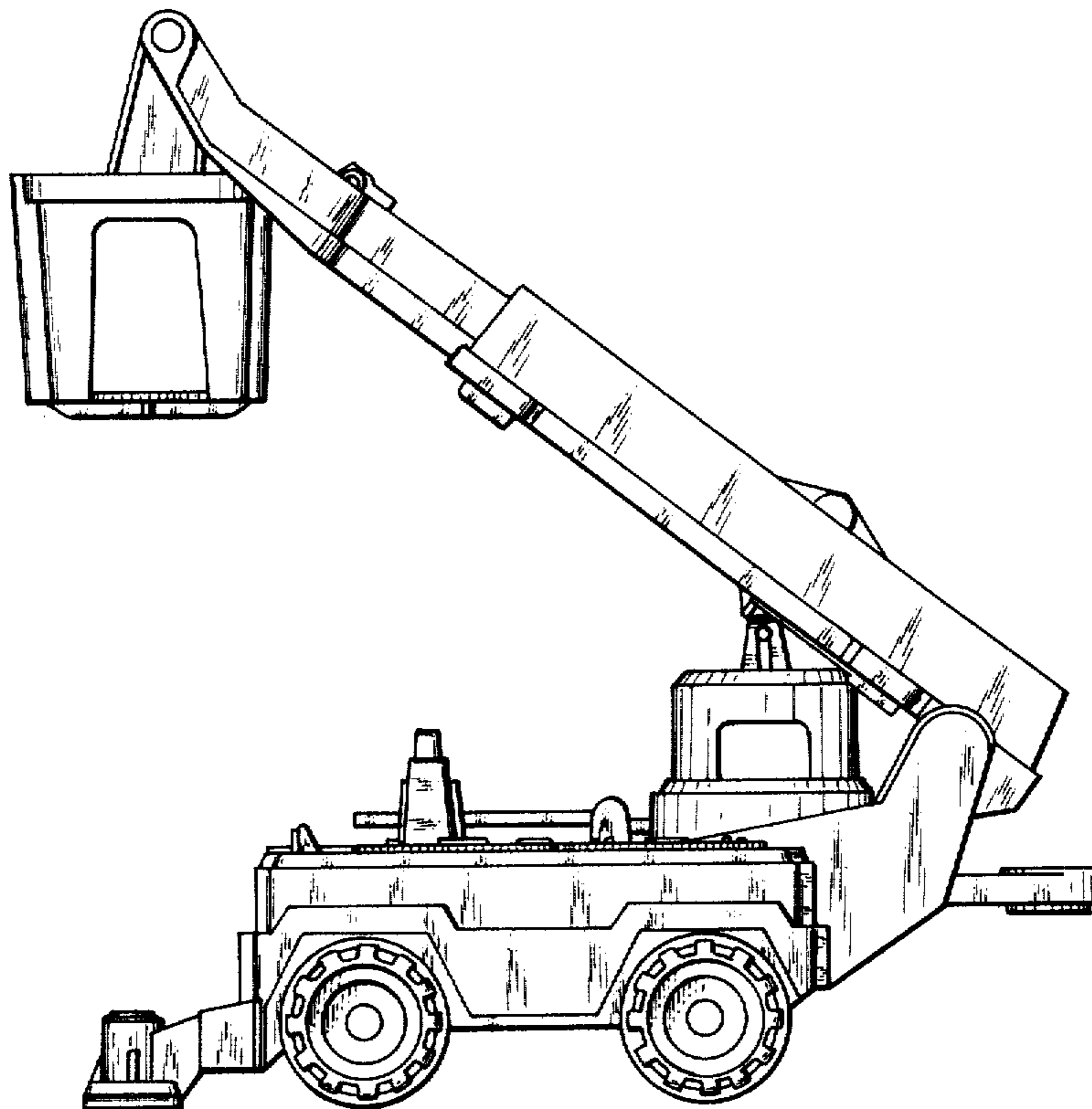
Primary Examiner—Charles A. Rademaker
Attorney, Agent, or Firm—K. H. Boswell; Edward D. O'Brian

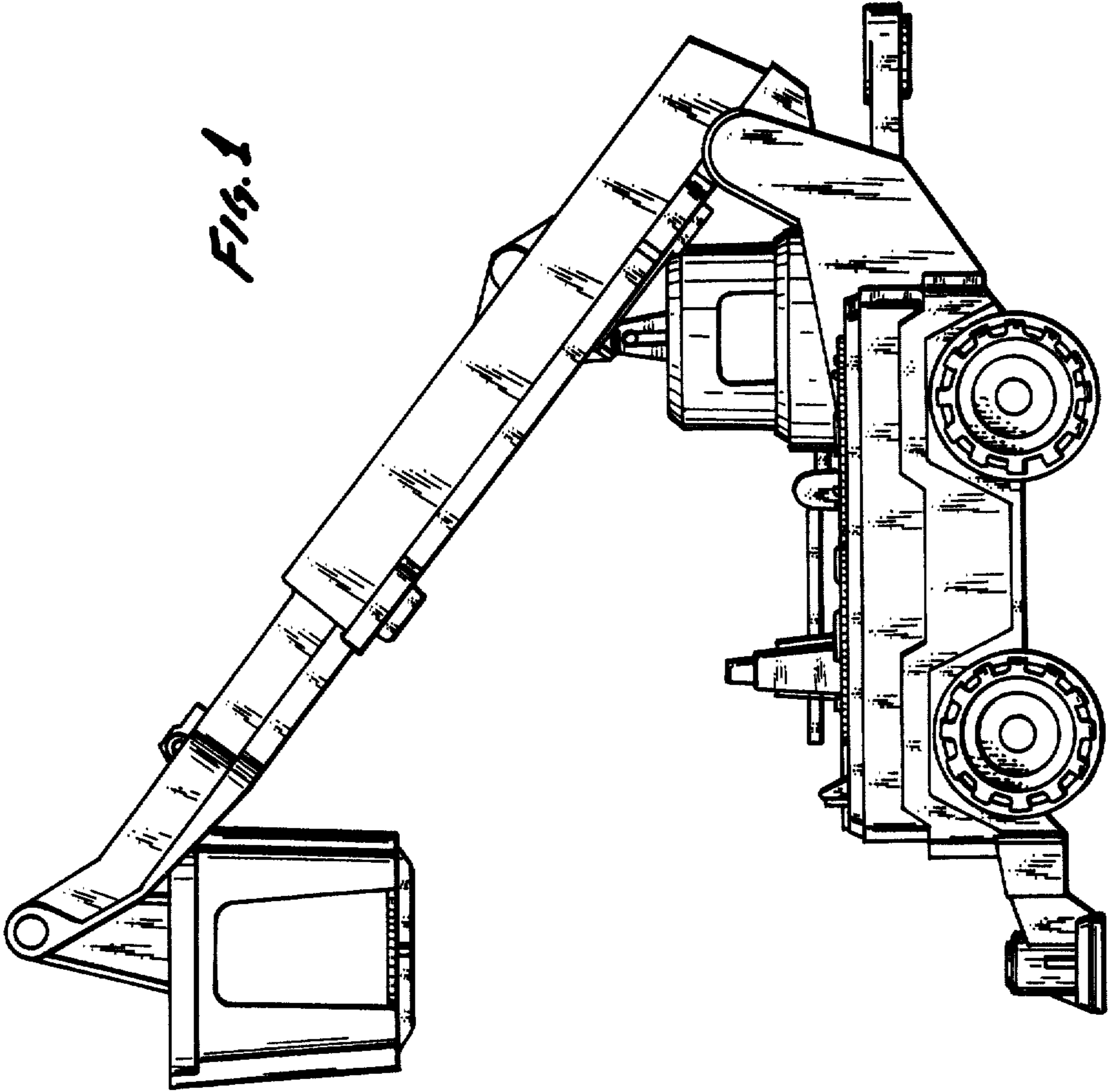
[57] CLAIM

The ornamental design for a toy crane, substantially as shown and described.

DESCRIPTION

FIG. 1 is a side elevational view of a toy crane showing our new design;
FIG. 2 is a left side elevational view thereof;
FIG. 3 is a front elevational view thereof;
FIG. 4 is a rear elevational view thereof;
FIG. 5 is a top plan view thereof; and,
FIG. 6 is a bottom plan view thereof.





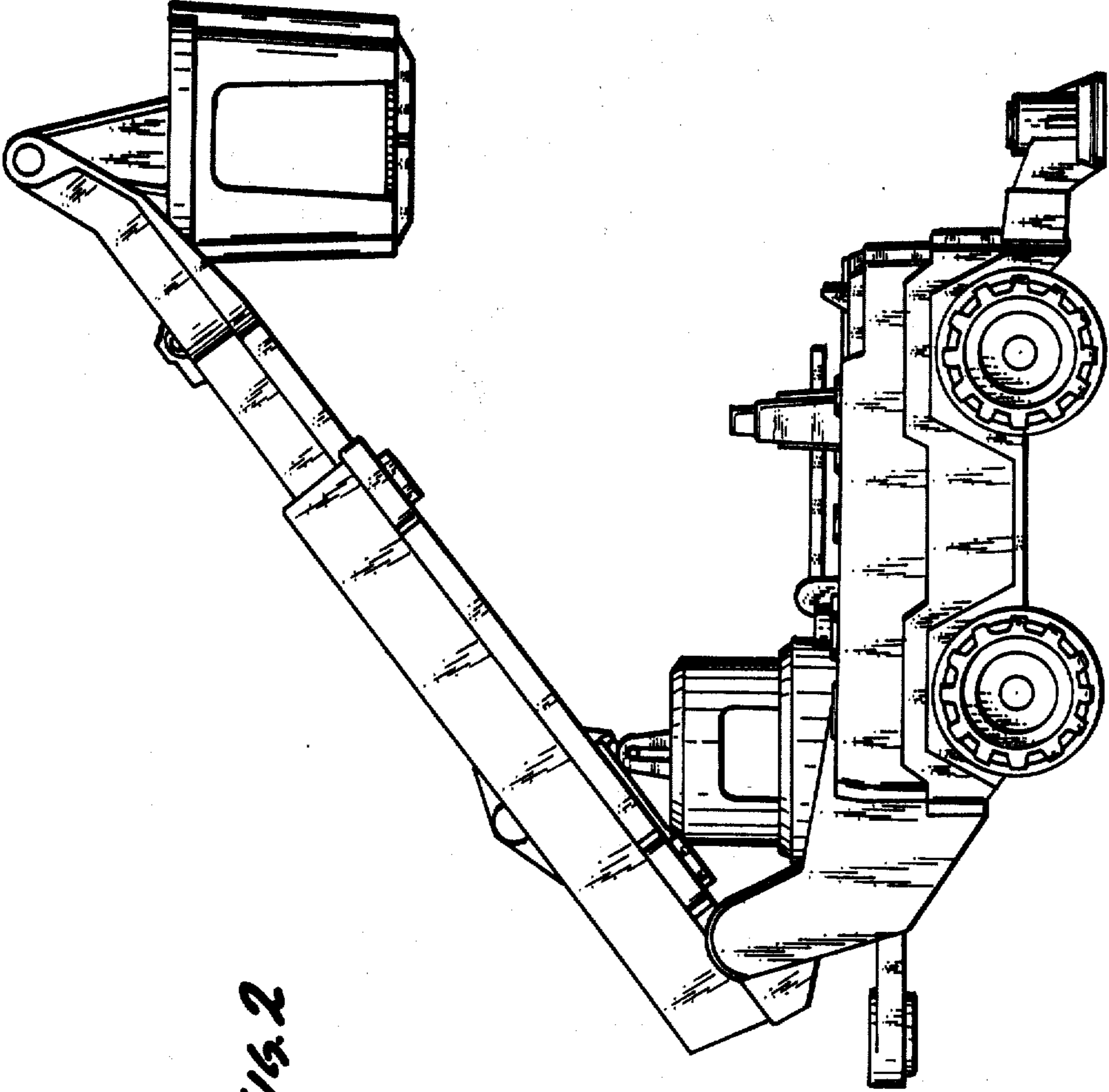


FIG. 2

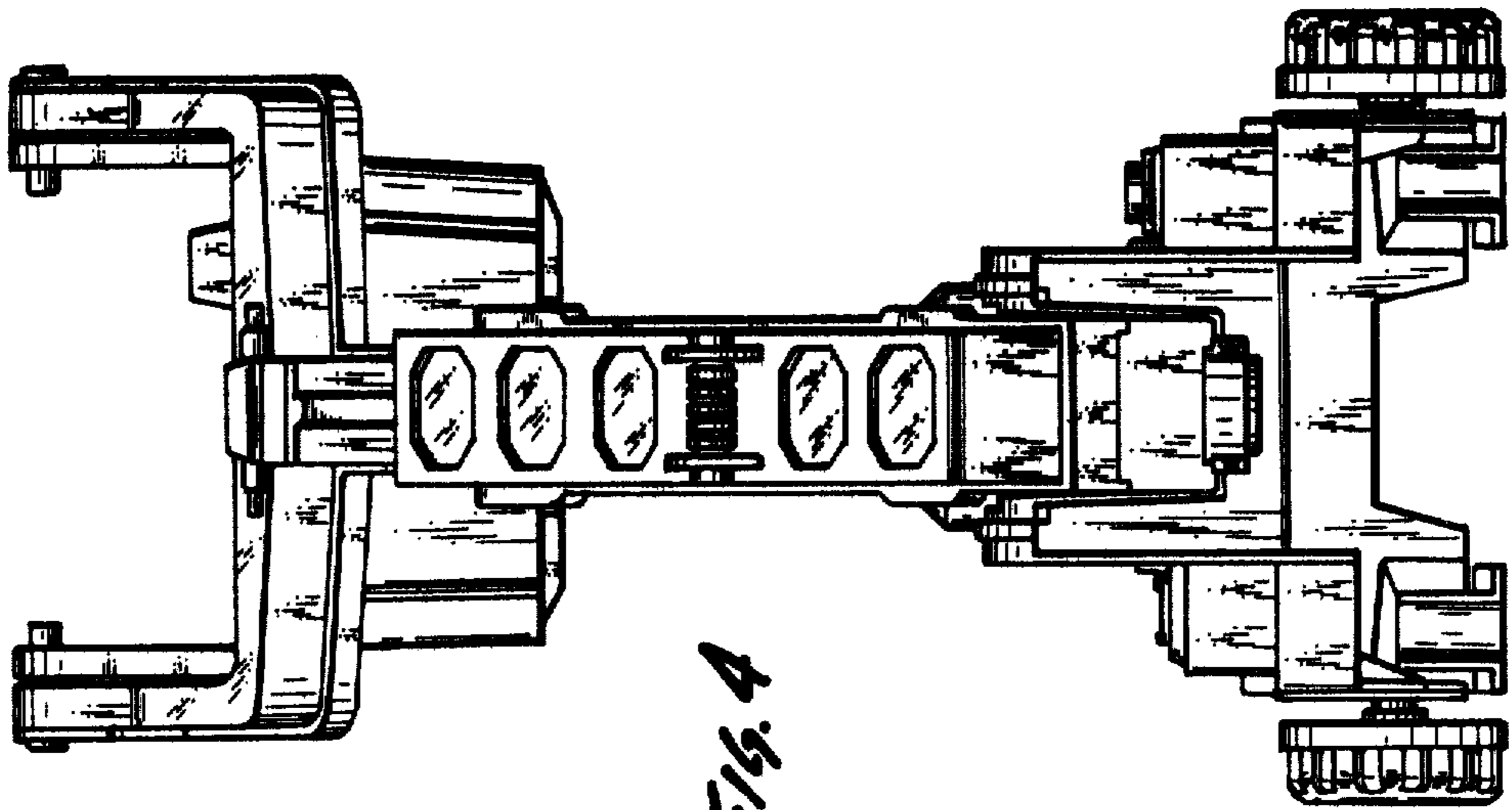


Fig. 4

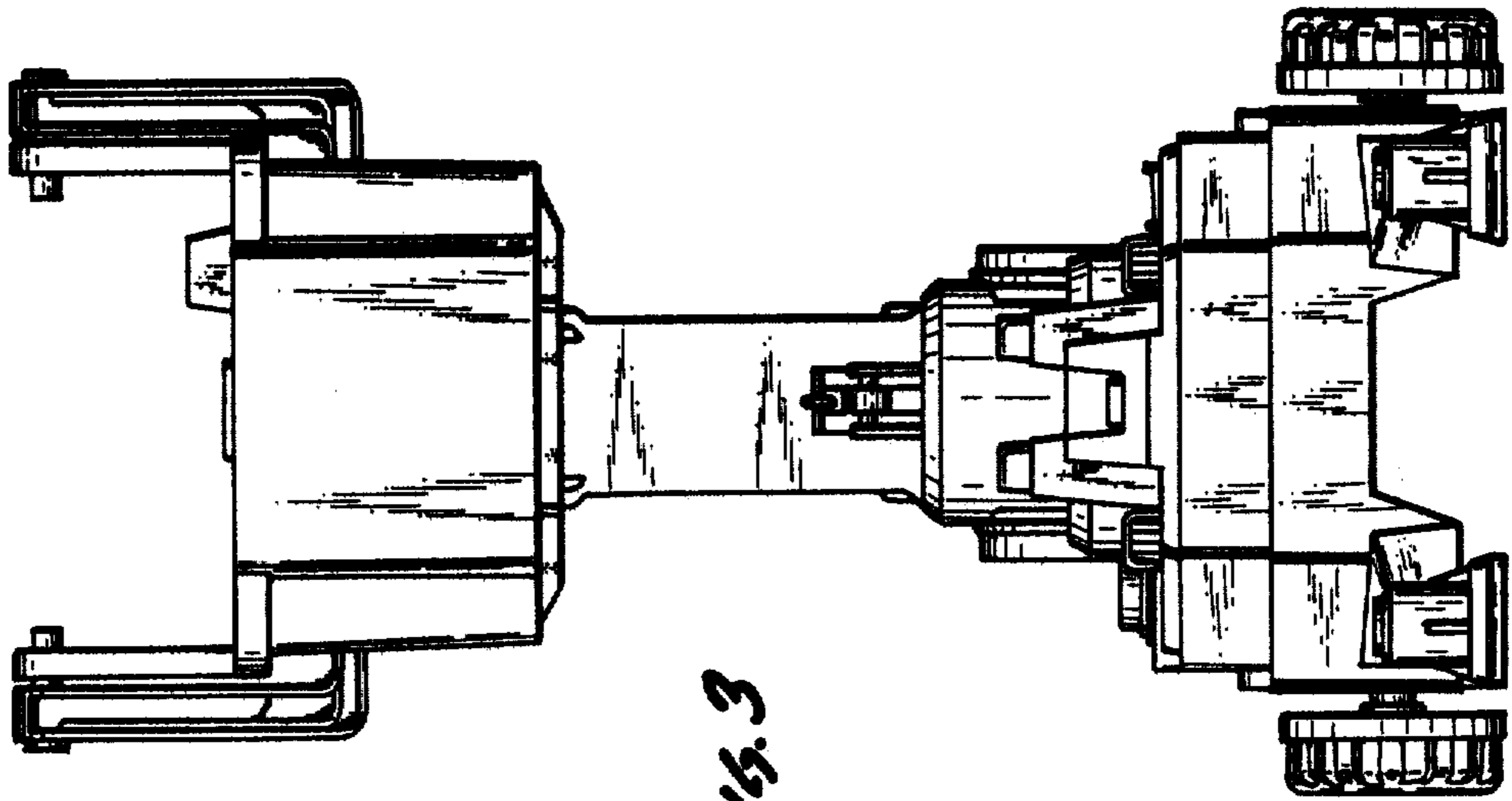


Fig. 3

