

[54] **X-RAY FILM CASSETTE**

[75] **Inventors:** Norbert Schlagheck,
Fuerstenfeldbruck; Lutz Rabold,
Soecking, both of Fed. Rep. of
Germany

[73] **Assignee:** Agfa-Gevaert AG, Leverkusen, Fed.
Rep. of Germany

[**] **Term:** 14 Years

[21] **Appl. No.:** 184,894

[22] **Filed:** Sep. 8, 1980

[30] **Foreign Application Priority Data**

Mar. 13, 1980 [DE] Fed. Rep. of Germany 5MR582

[51] **Int. Cl.** D16-03

[52] **U.S. Cl.** D16/34; D14/11

[58] **Field of Search** 250/68, 476, 475;
D16/34; 378/182-188; 206/455; D14/11

[56] **References Cited**

U.S. PATENT DOCUMENTS

D. 257,345	10/1980	Levy	D14/11
D. 260,881	9/1981	McKinsey	D14/11
3,119,015	1/1964	Kollock	206/455 X
3,912,078	10/1975	Asano	206/455
3,971,470	7/1976	White	206/455

Primary Examiner—Bernard Ansher
Attorney, Agent, or Firm—Michael J. Striker

[57] **CLAIM**

The ornamental design for a X-ray film cassette, substantially as shown and described.

DESCRIPTION

FIG. 1 is a top front perspective view of an X-ray film cassette embodying our new design;
FIG. 2 is a top plan view thereof;
FIG. 3 is a bottom plan view thereof;
FIG. 4 is a front elevation thereof;
FIG. 5 is a rear elevation thereof;
FIG. 6 is a right side elevation thereof;
FIG. 7 is a left side elevation thereof;
FIG. 8 is an enlarged fragmentary cross-section; and
FIG. 9 is an enlarged fragmentary view.

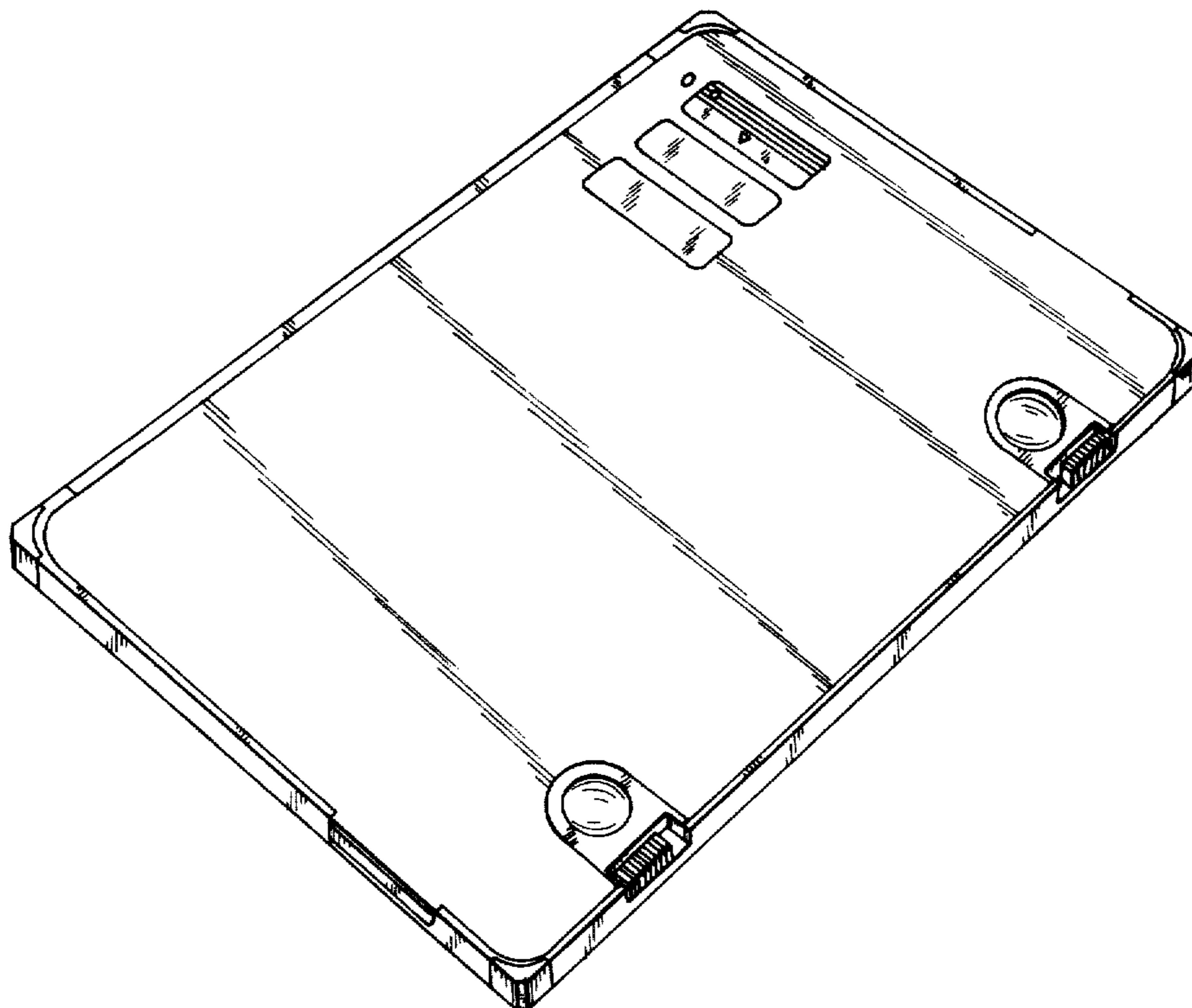


FIG. 1

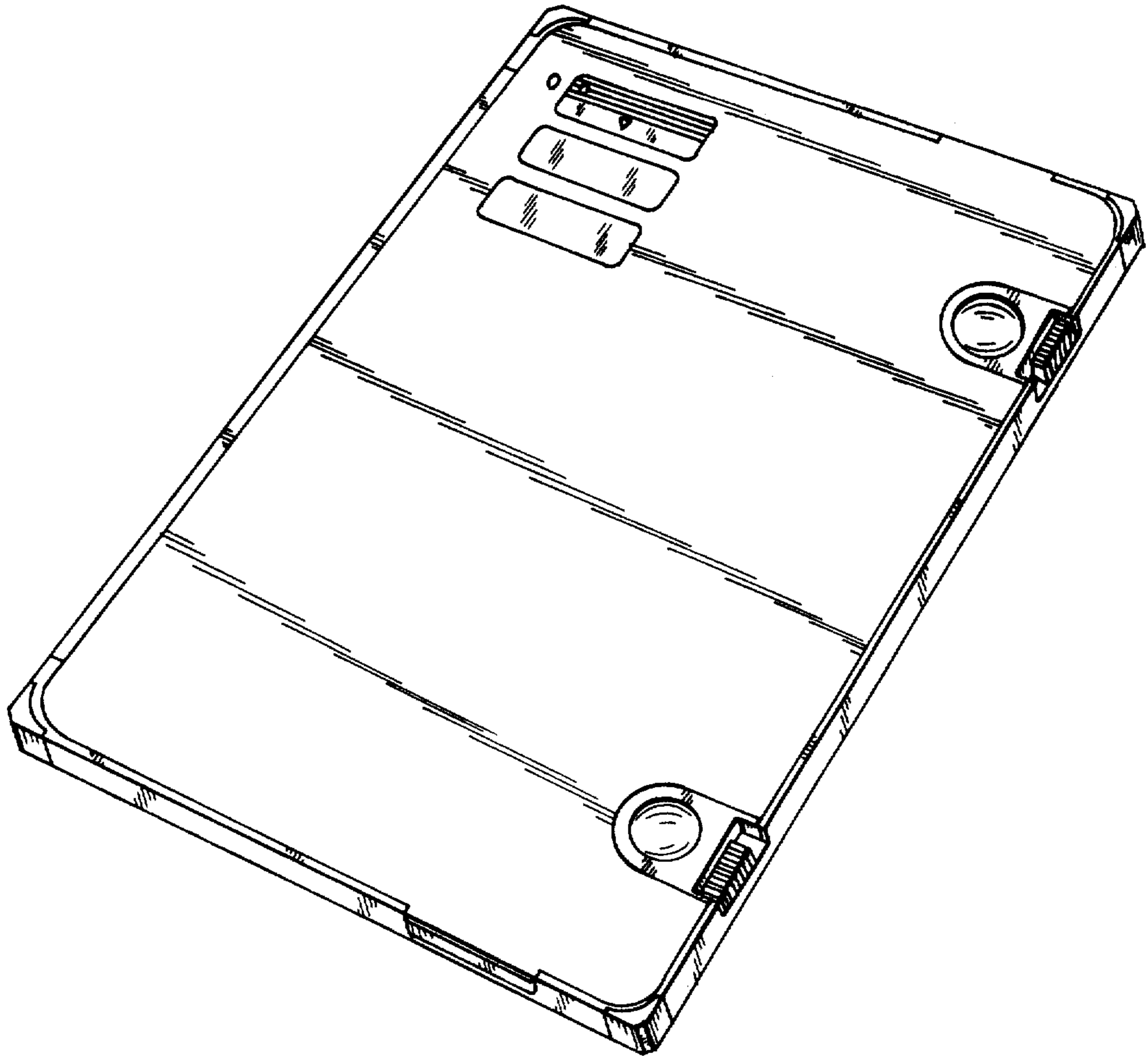


FIG. 2

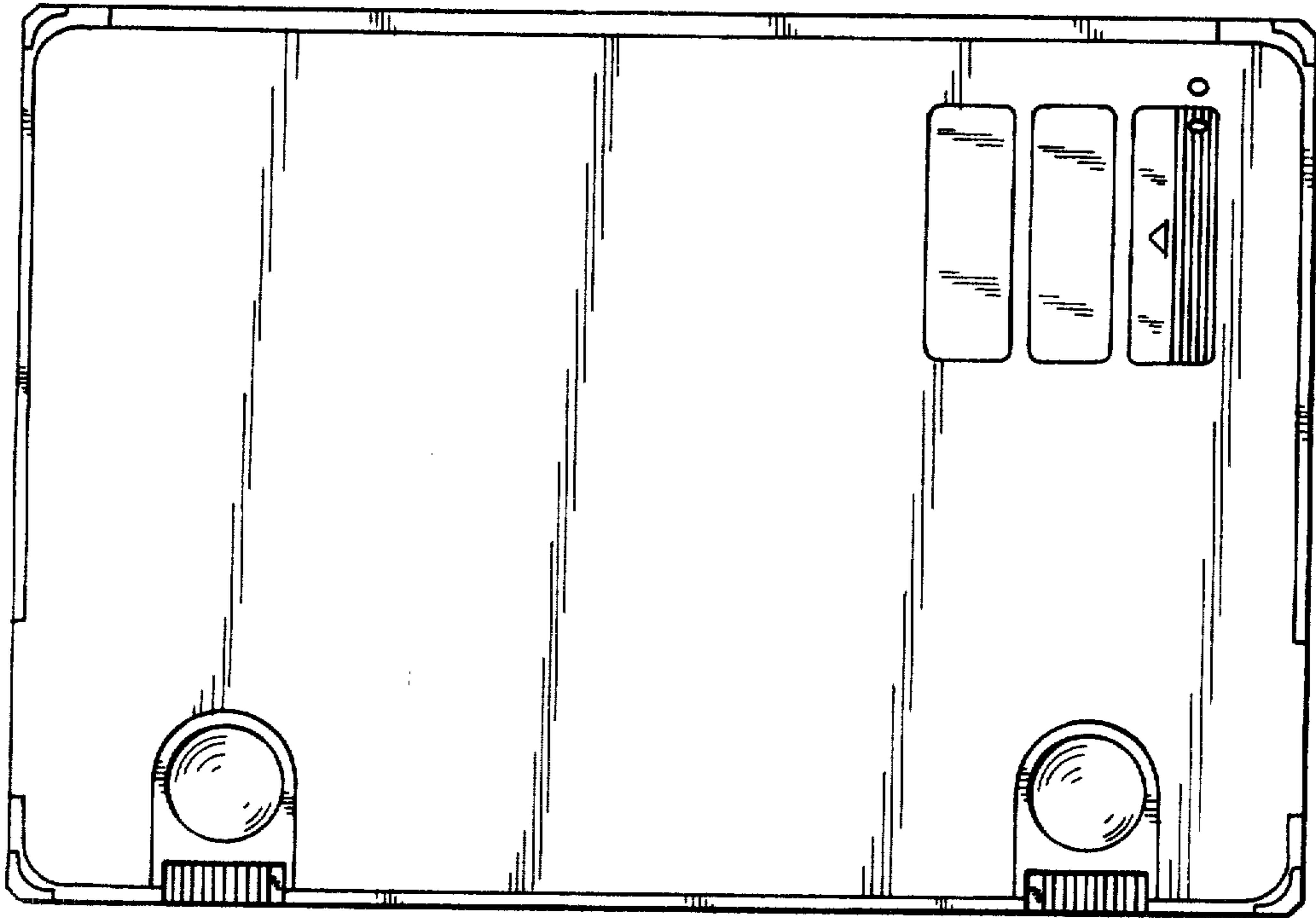


FIG. 3

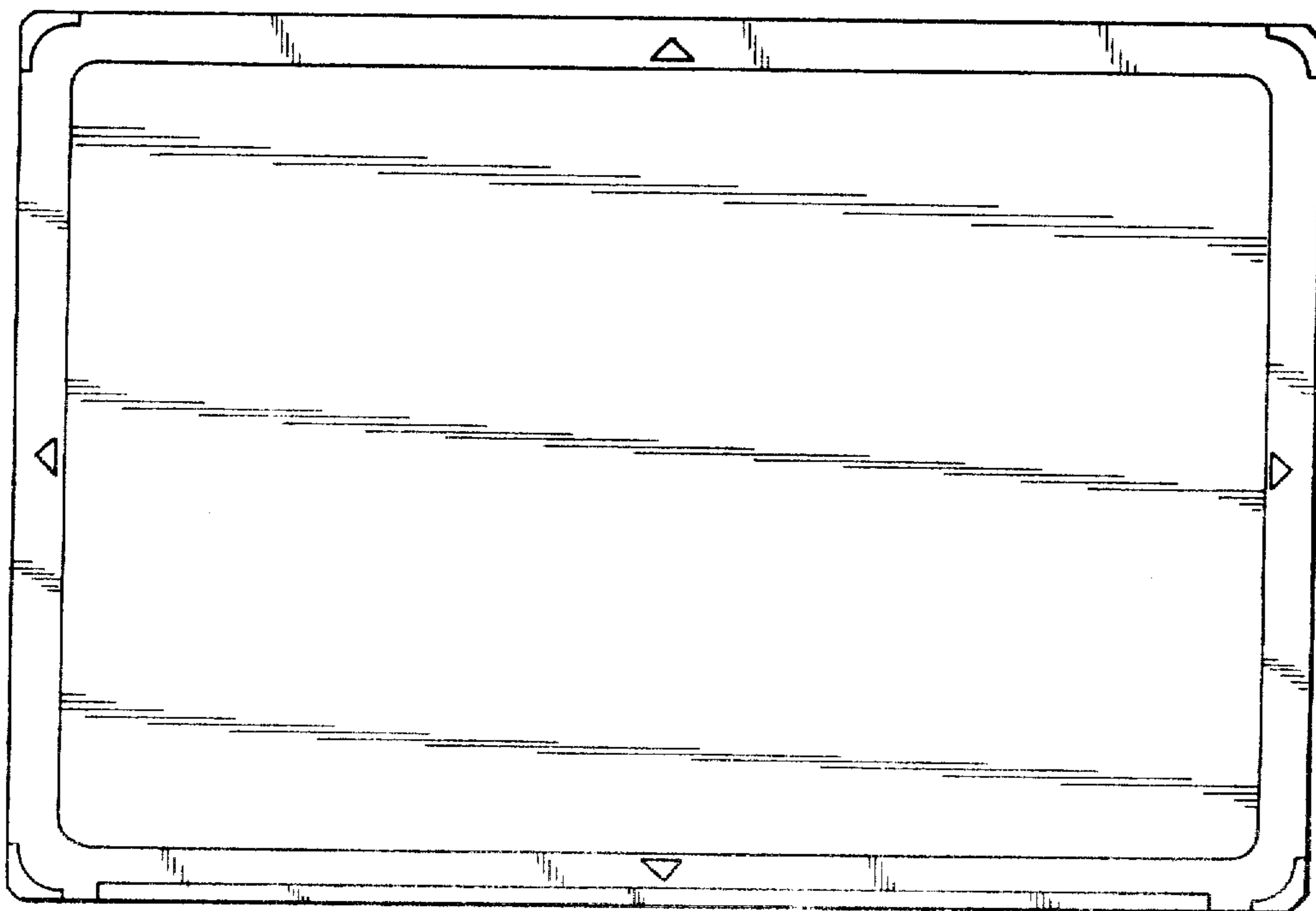


FIG. 4

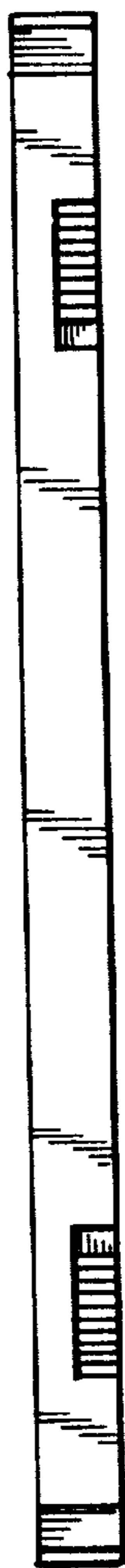


FIG. 5

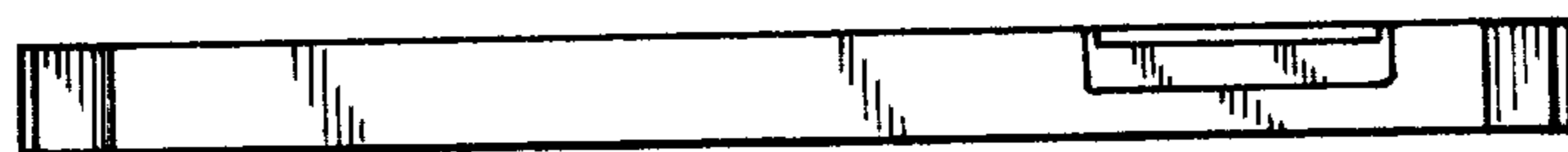


FIG. 6

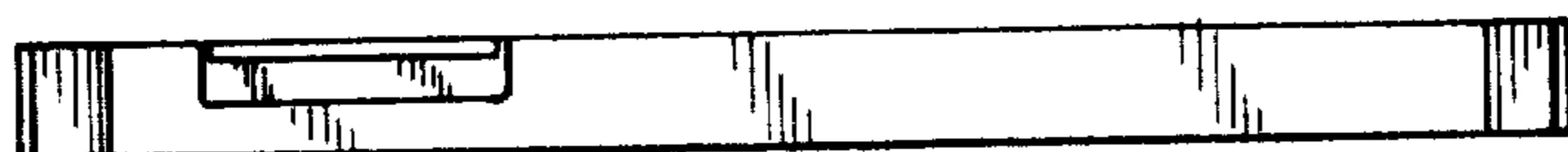


FIG. 7

FIG. 8

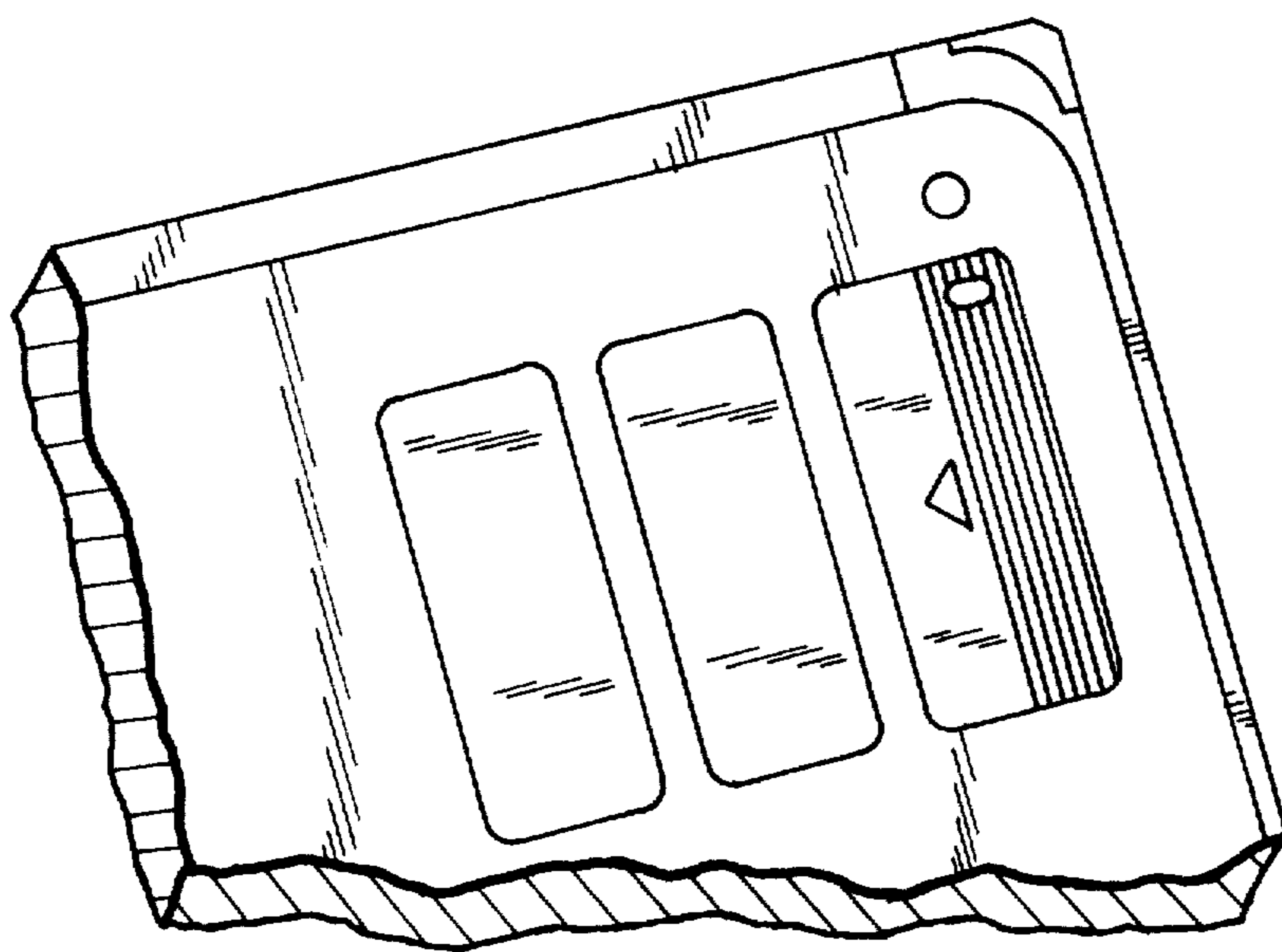


FIG. 9

