

[54] PHOTOGRAPHIC ENLARGING APPARATUS

[75] Inventor: Florian Vikoler, Brixen, Italy

[73] Assignee: Durst A.G. Fabrik Fototechnischer Apparate, Bozen, Italy

[**] Term: 14 Years

[21] Appl. No.: 330,394

[22] Filed: Dec. 14, 1981

[30] Foreign Application Priority Data

Jul. 15, 1981 [IT] Italy 6713/81[U]

[51] Int. Cl. D16-03

[52] U.S. Cl. D16/25

[58] Field of Search D16/25, 33-34, D16/27, 2; 355/27, 21

[56] References Cited

U.S. PATENT DOCUMENTS

D. 99,422	4/1936	Teague	D16/25 X
D. 111,244	9/1938	Fassin	D16/25
D. 239,206	3/1976	Valle	D16/25
D. 260,903	9/1981	Overman	D16/27
3,522,991	8/1970	Bowen	D16/27
3,767,301	10/1973	Solo	D16/25 X
4,235,543	11/1980	Norris	355/27 X

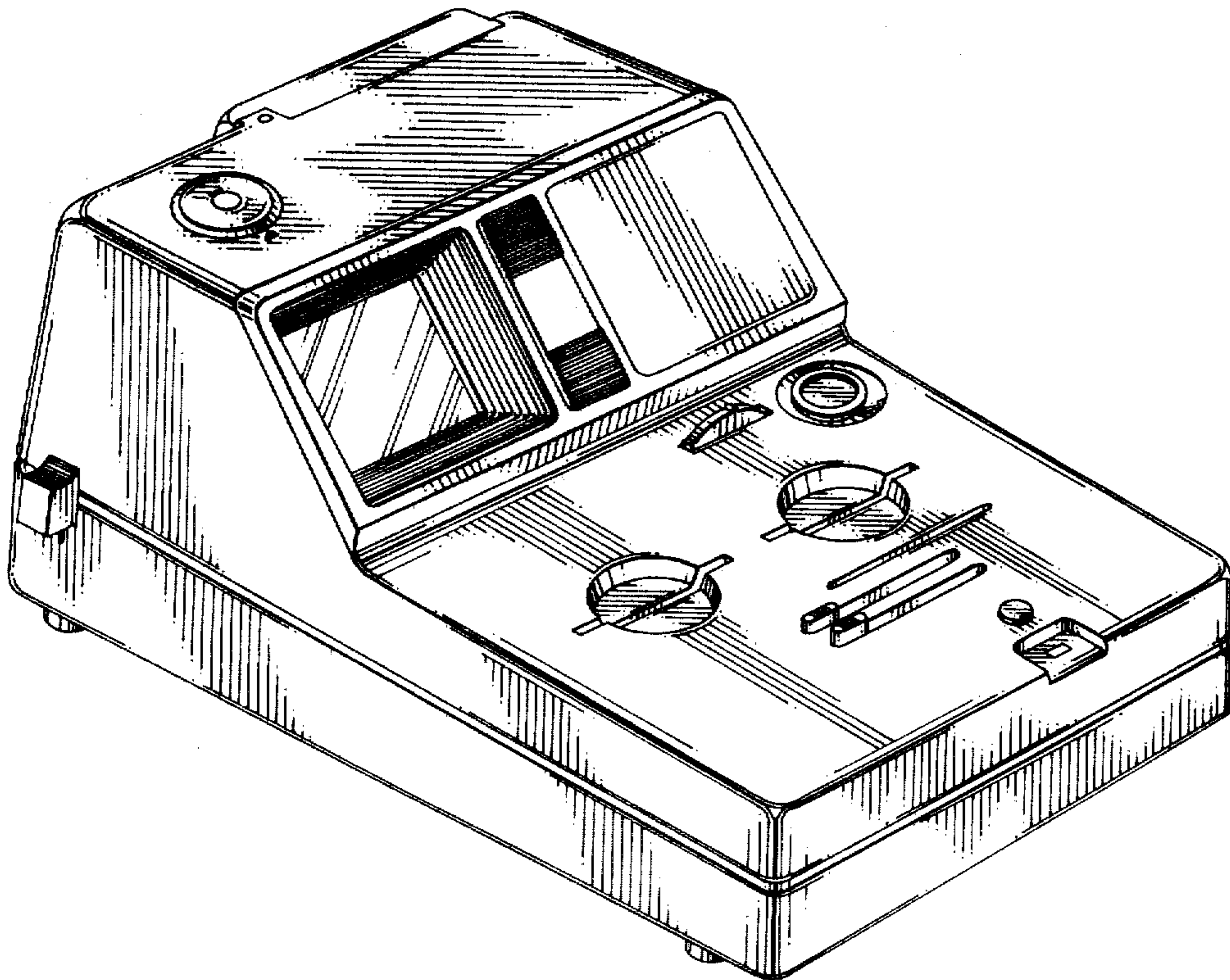
Primary Examiner—Nelson C. Holtje
Attorney, Agent, or Firm—Cahill, Sutton & Thomas

[57] CLAIM

The ornamental design for a photographic enlarging apparatus, as shown and described.

DESCRIPTION

FIG. 1 is a top and left front perspective view of a photographic enlarging apparatus showing my new design;
FIG. 2 is a bottom and right rear perspective view thereof.



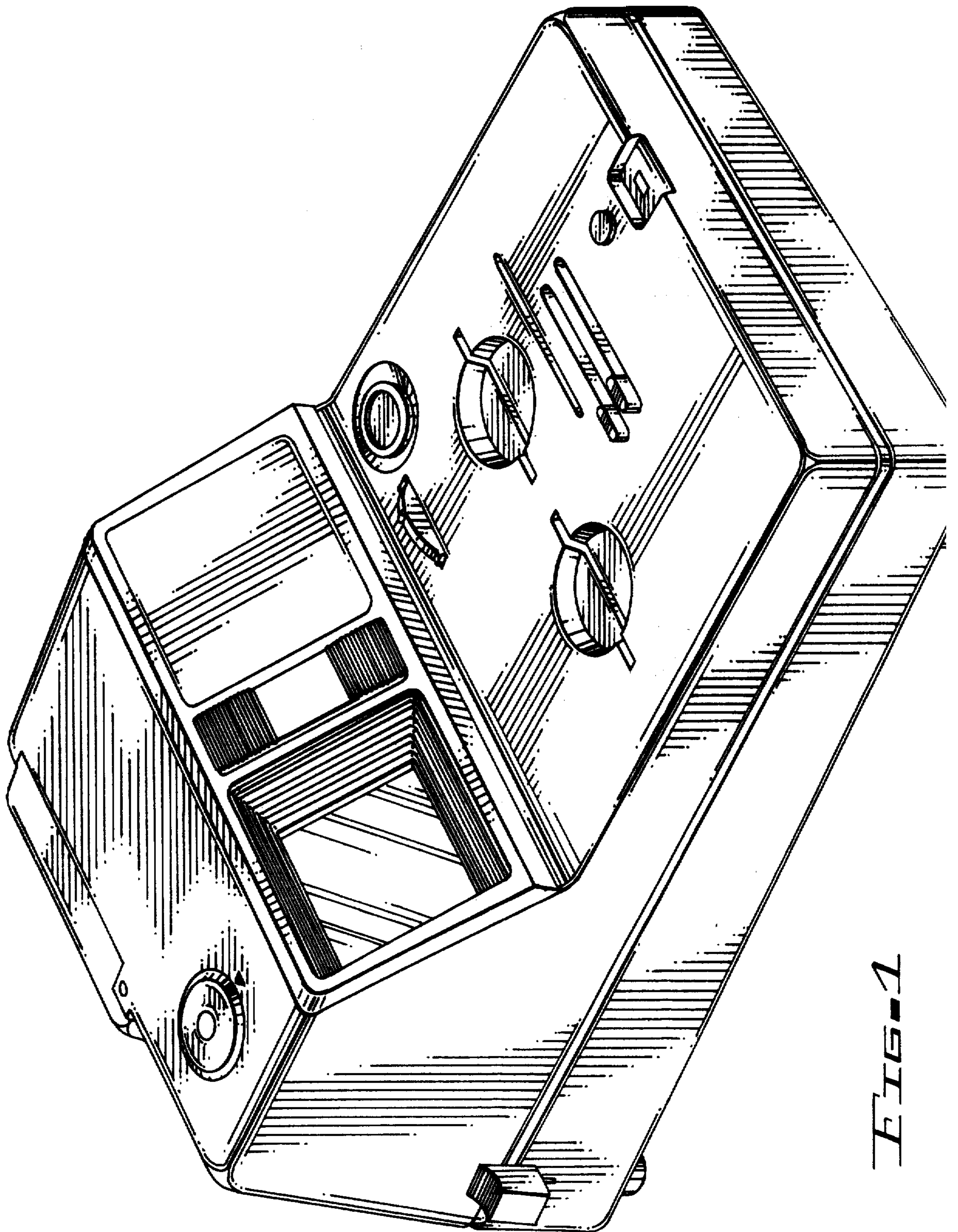


FIG. 1

