

[54] GRINDING FIXTURE

[76] Inventors: Timothy E. Grohowski, R.F.D. #1, George Washington Turnpike, Burlington, Conn. 06013; Randall W. Wheeler, 20 Walnut Dr., Hebron, Conn. 06248

[**] Term: 14 Years

[21] Appl. No.: 245,951

[22] Filed: Mar. 20, 1981

[51] Int. Cl. D15-09

[52] U.S. Cl. D15/140

[58] Field of Search D15/140; 51/216 R, 216 A; 125/11 R

[56] References Cited

U.S. PATENT DOCUMENTS

D. 235,478 6/1975 Armbruster D15/140

3,345,061 10/1967 Schaefer 269/246
3,474,772 6/1969 Sirosis 125/11 R

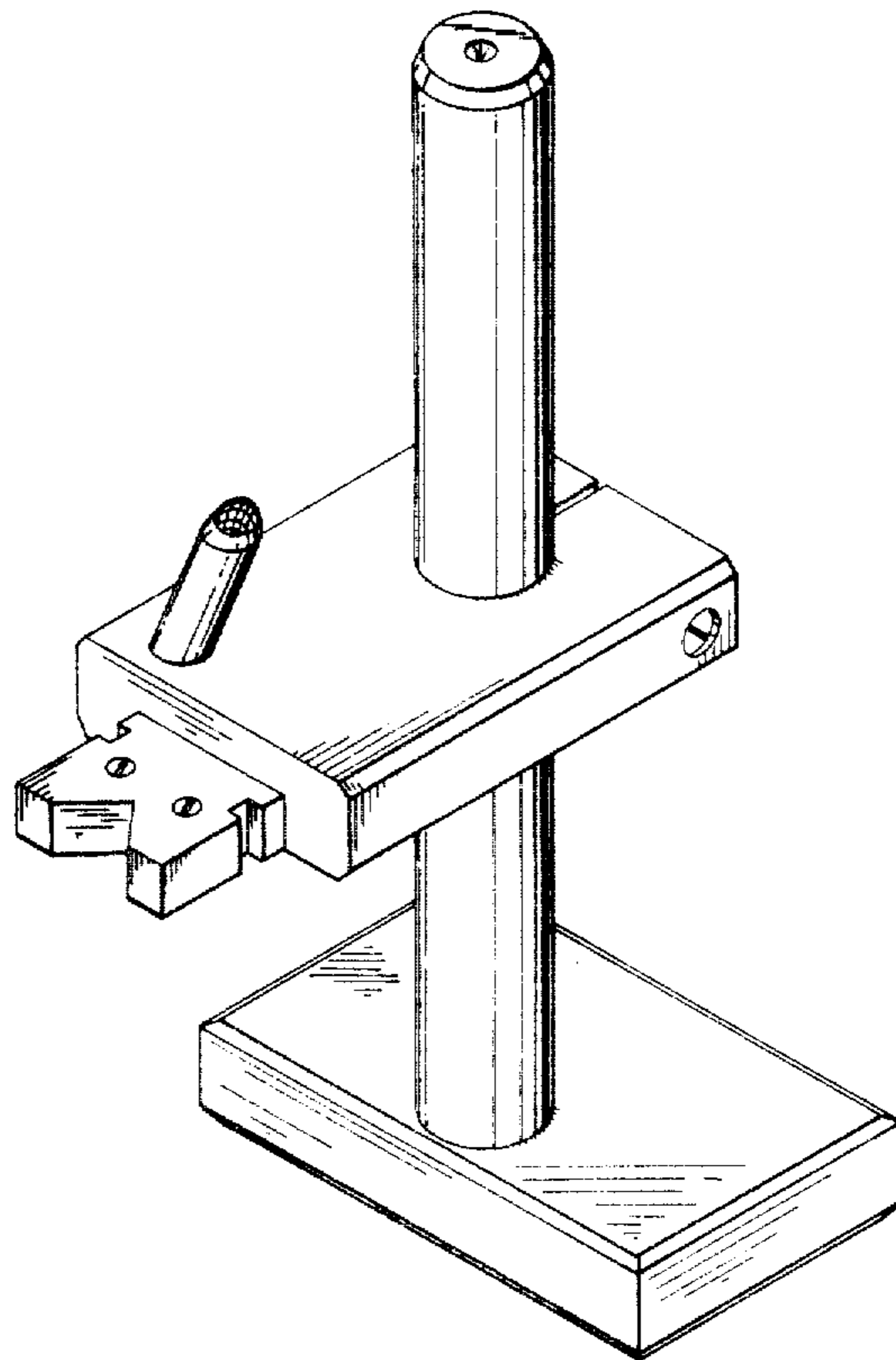
Primary Examiner—Wallace R. Burke
Assistant Examiner—Suzanne N. Gitlin
Attorney, Agent, or Firm—McCormick, Paulding & Huber

[57] CLAIM

The ornamental design for a grinding fixture, as shown and described.

DESCRIPTION

FIG. 1 is a perspective view of a grinding fixture showing our new design;
FIG. 2 is a top plan view thereof;
FIG. 3 is a bottom plan view thereof;
FIG. 4 is a front elevational view thereof;
FIG. 5 is a rear elevational view thereof;
FIG. 6 is a right side elevational view thereof;
FIG. 7 is a left side elevational view thereof.



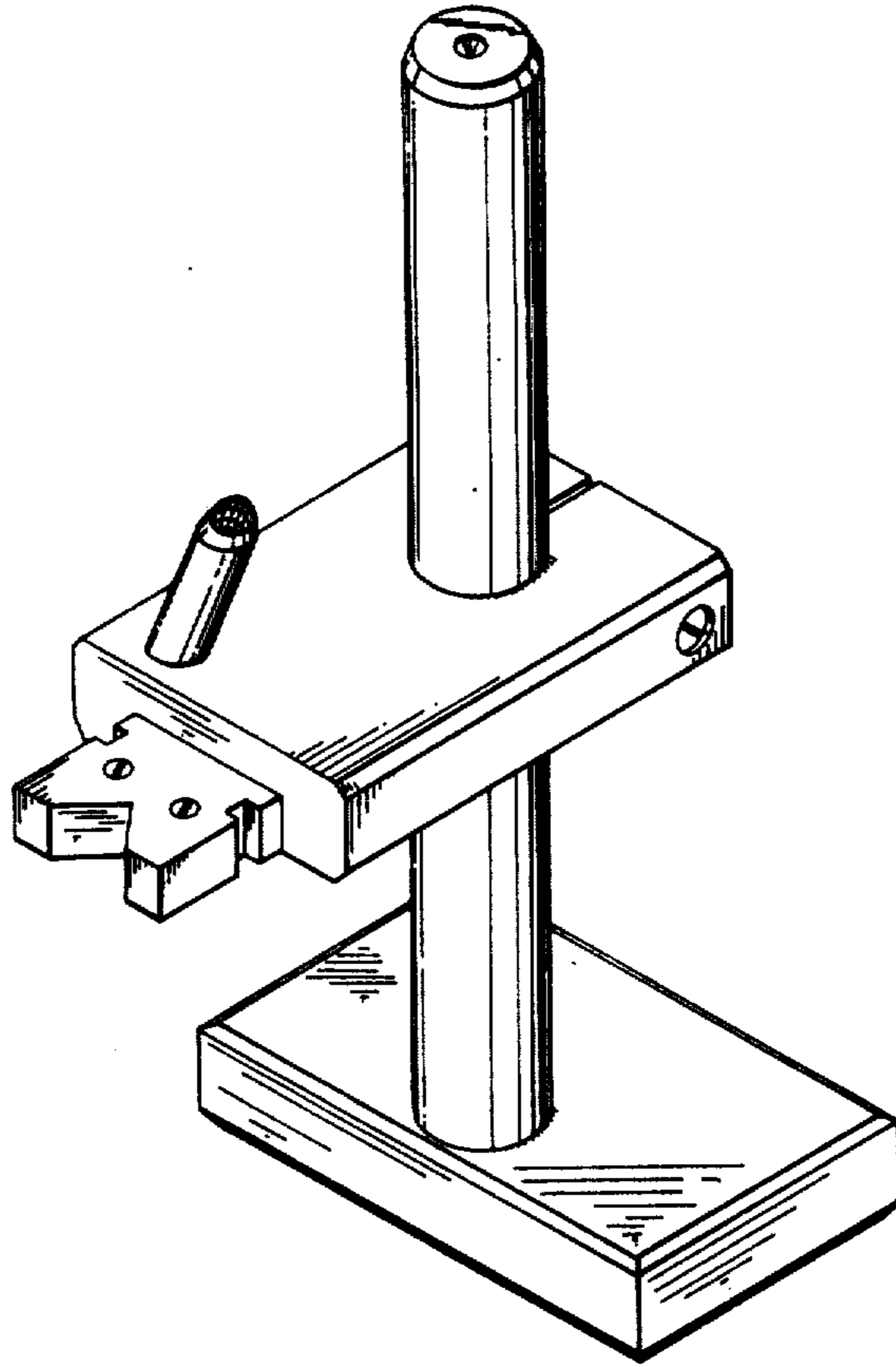


FIG. 1

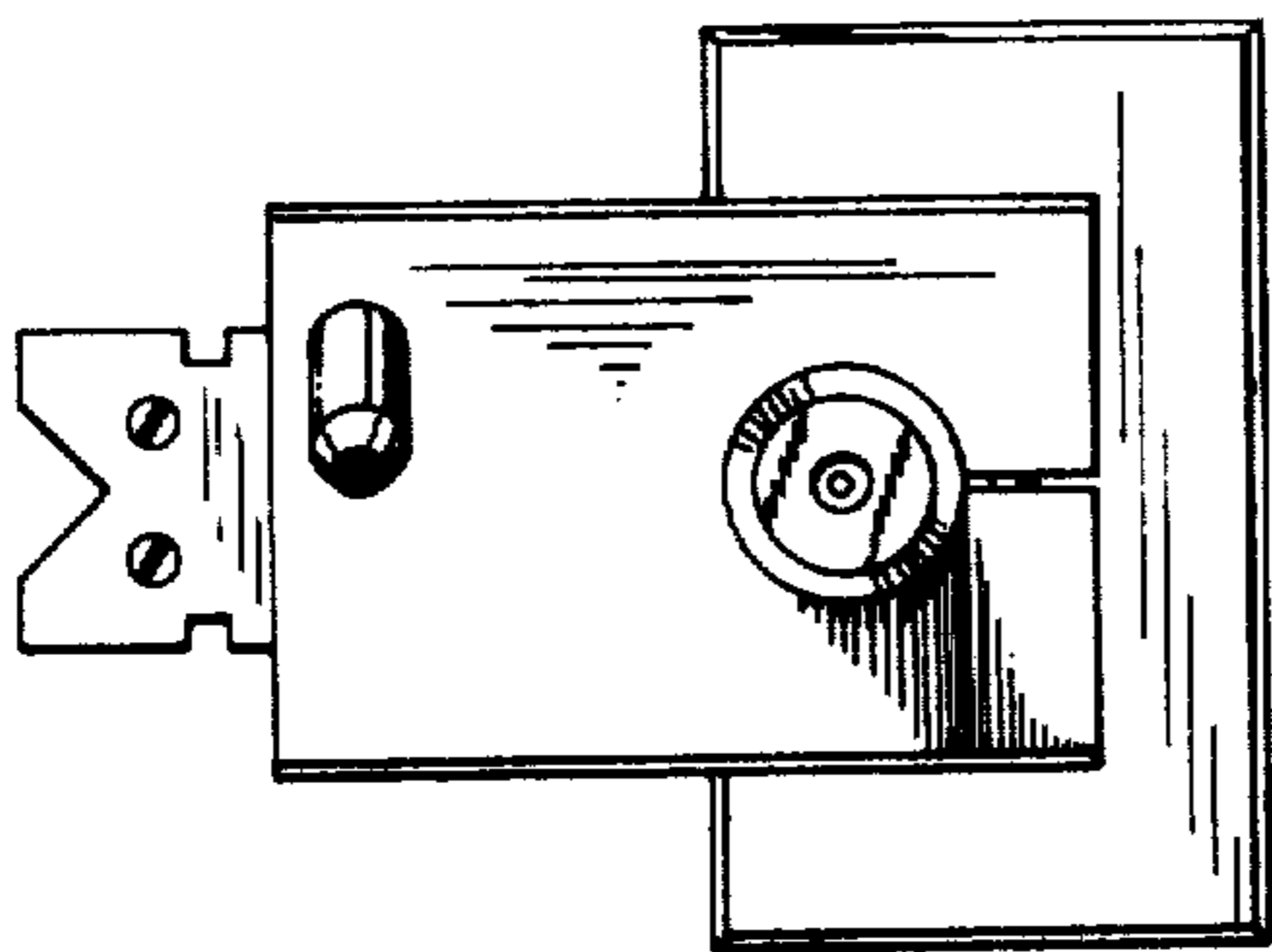


FIG. 2

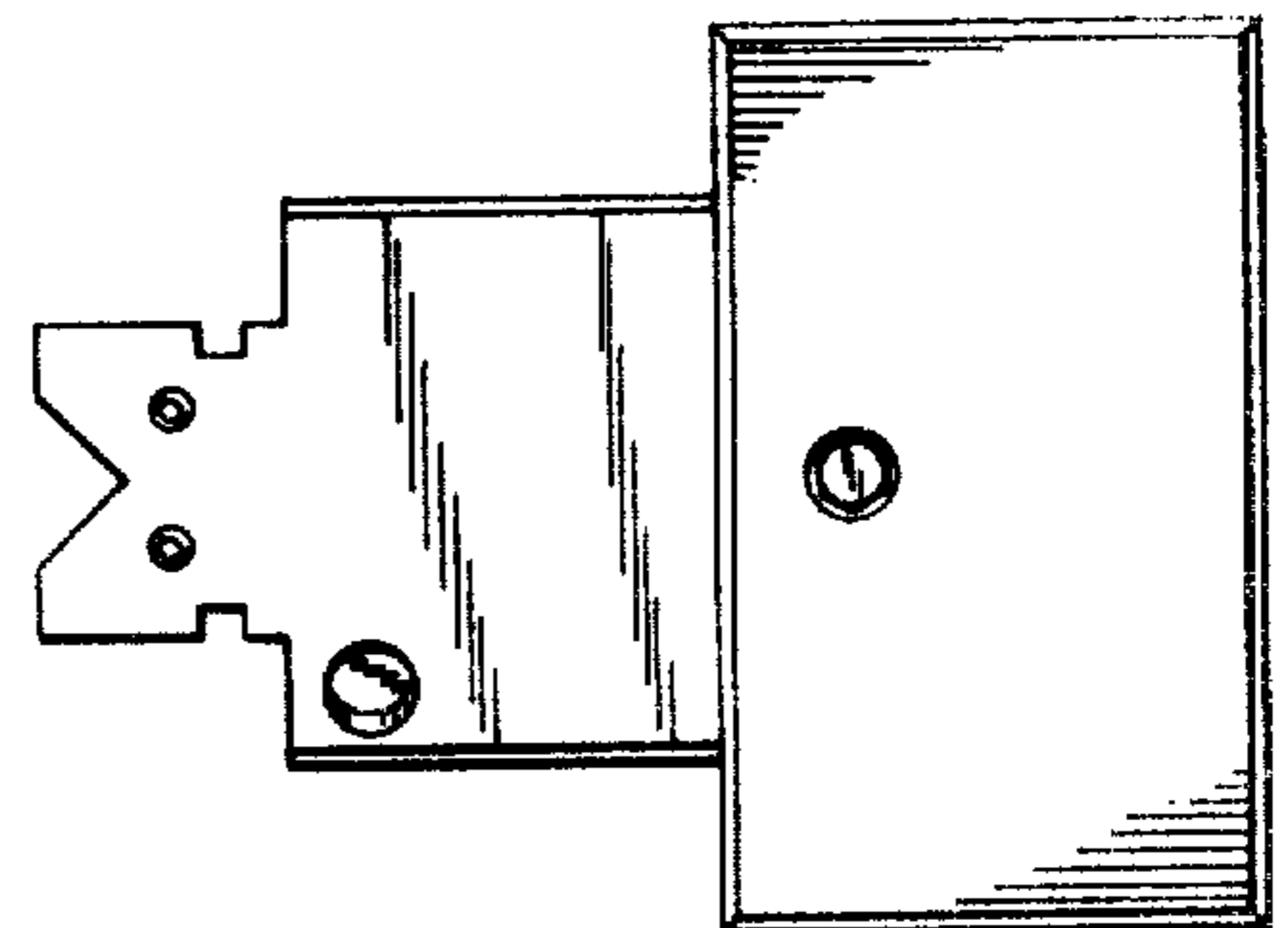


FIG. 3

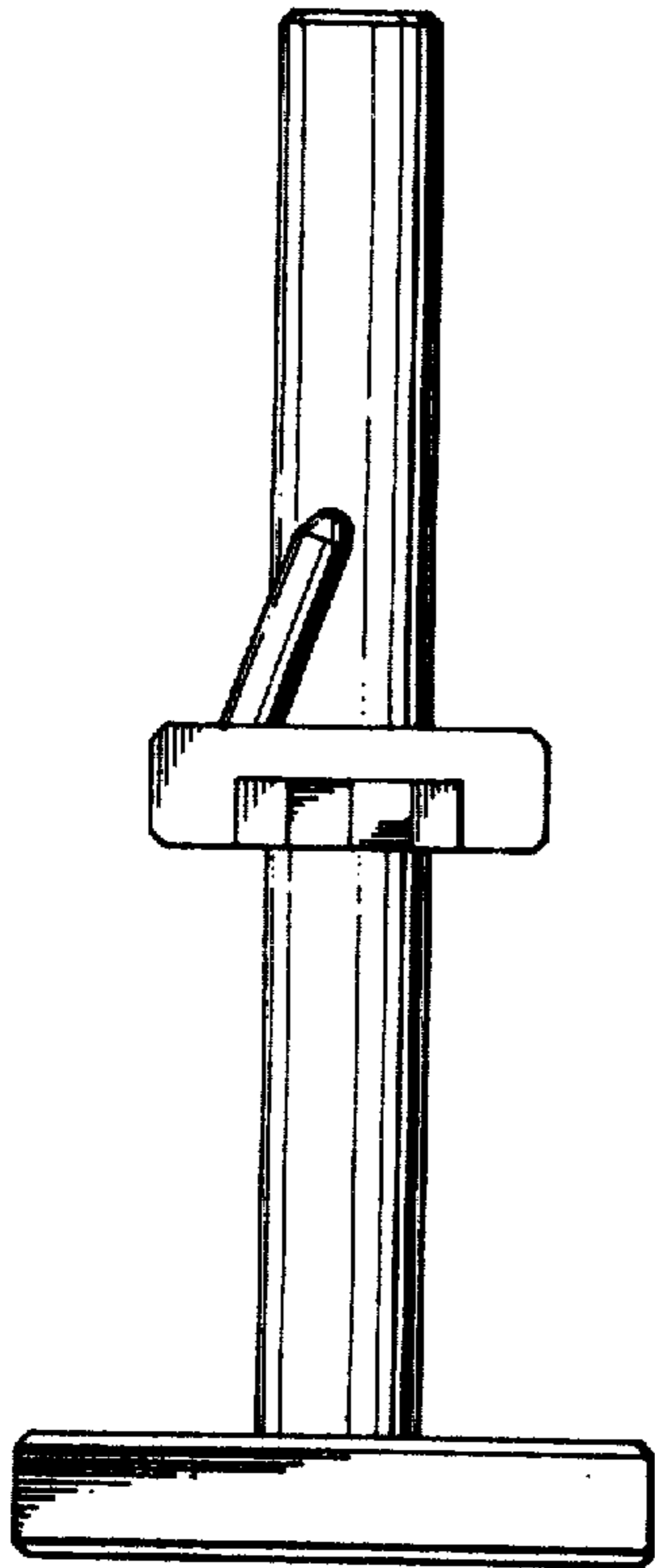


FIG. 4

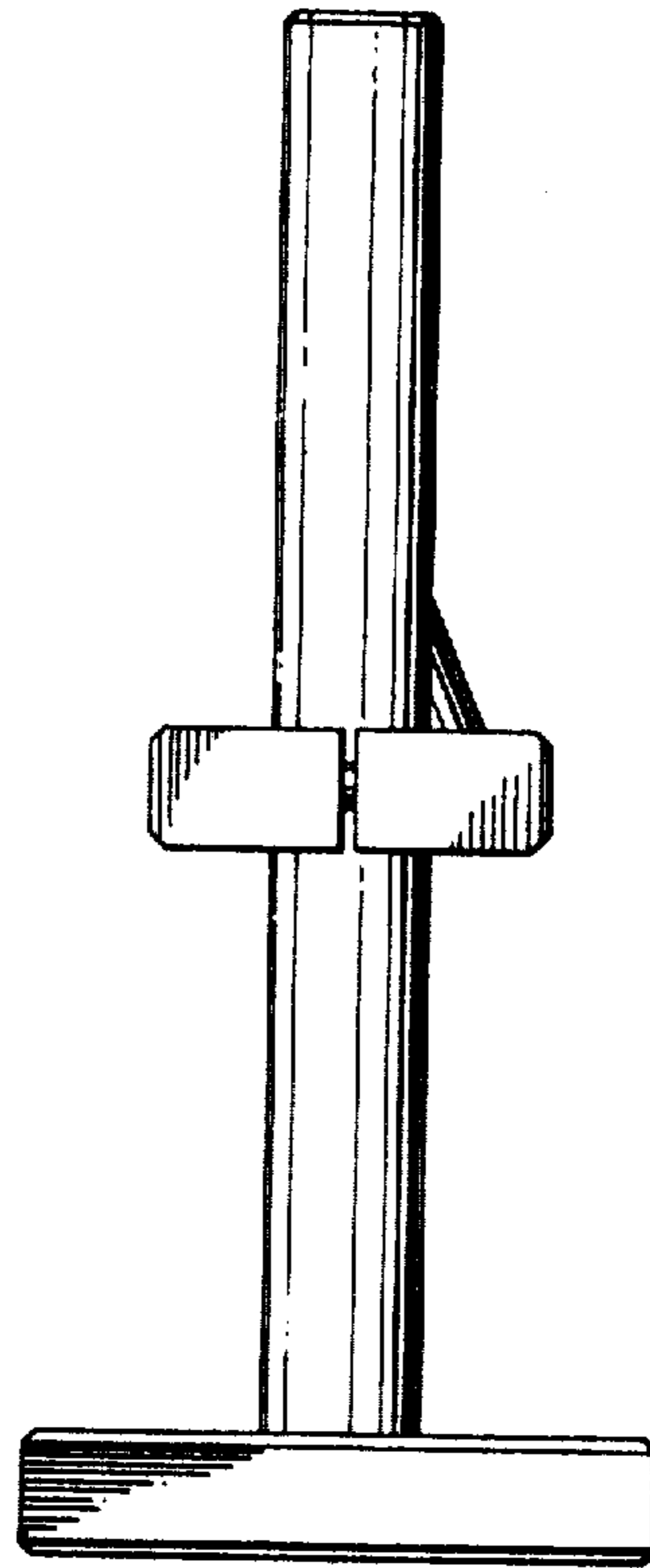


FIG. 5

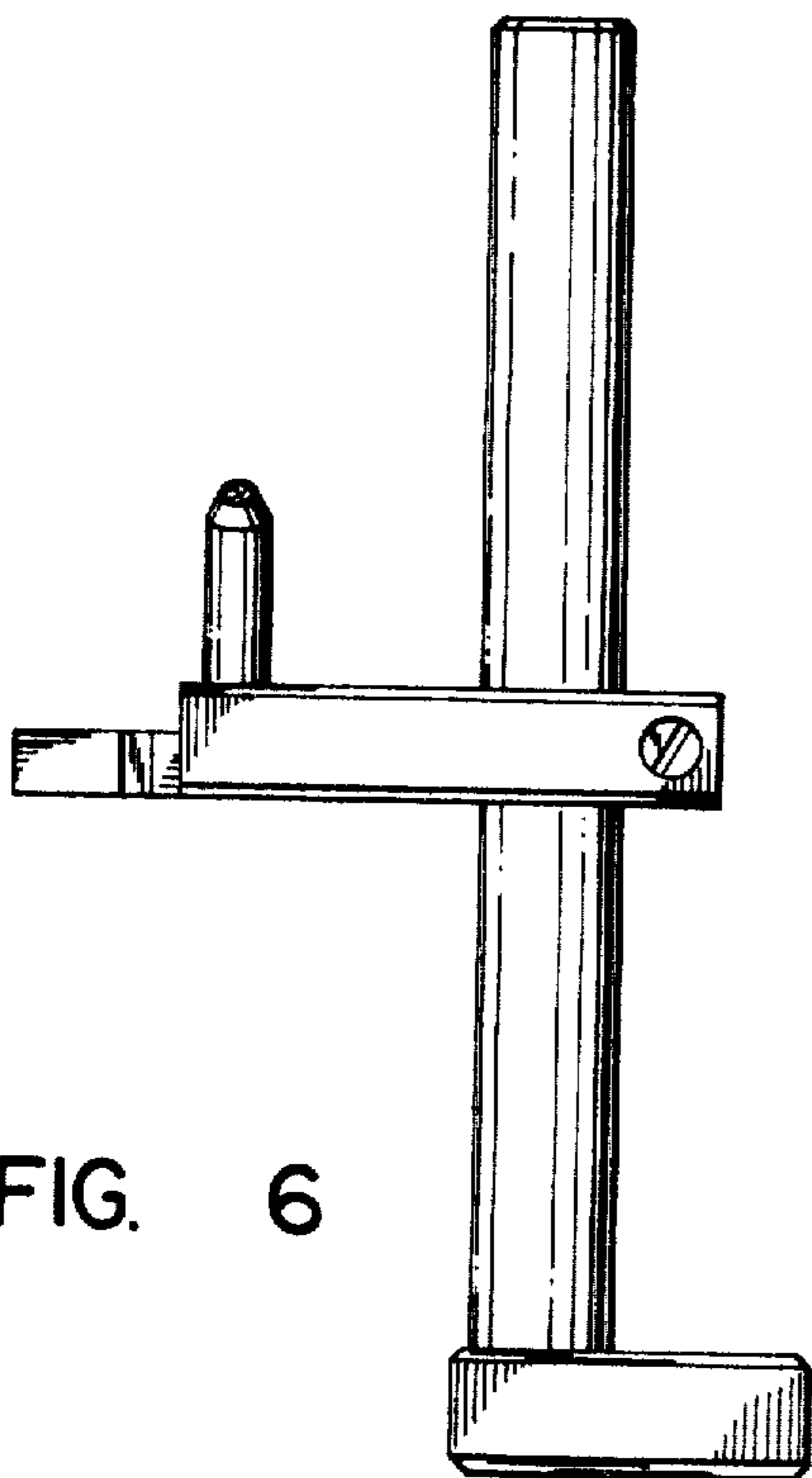


FIG. 6

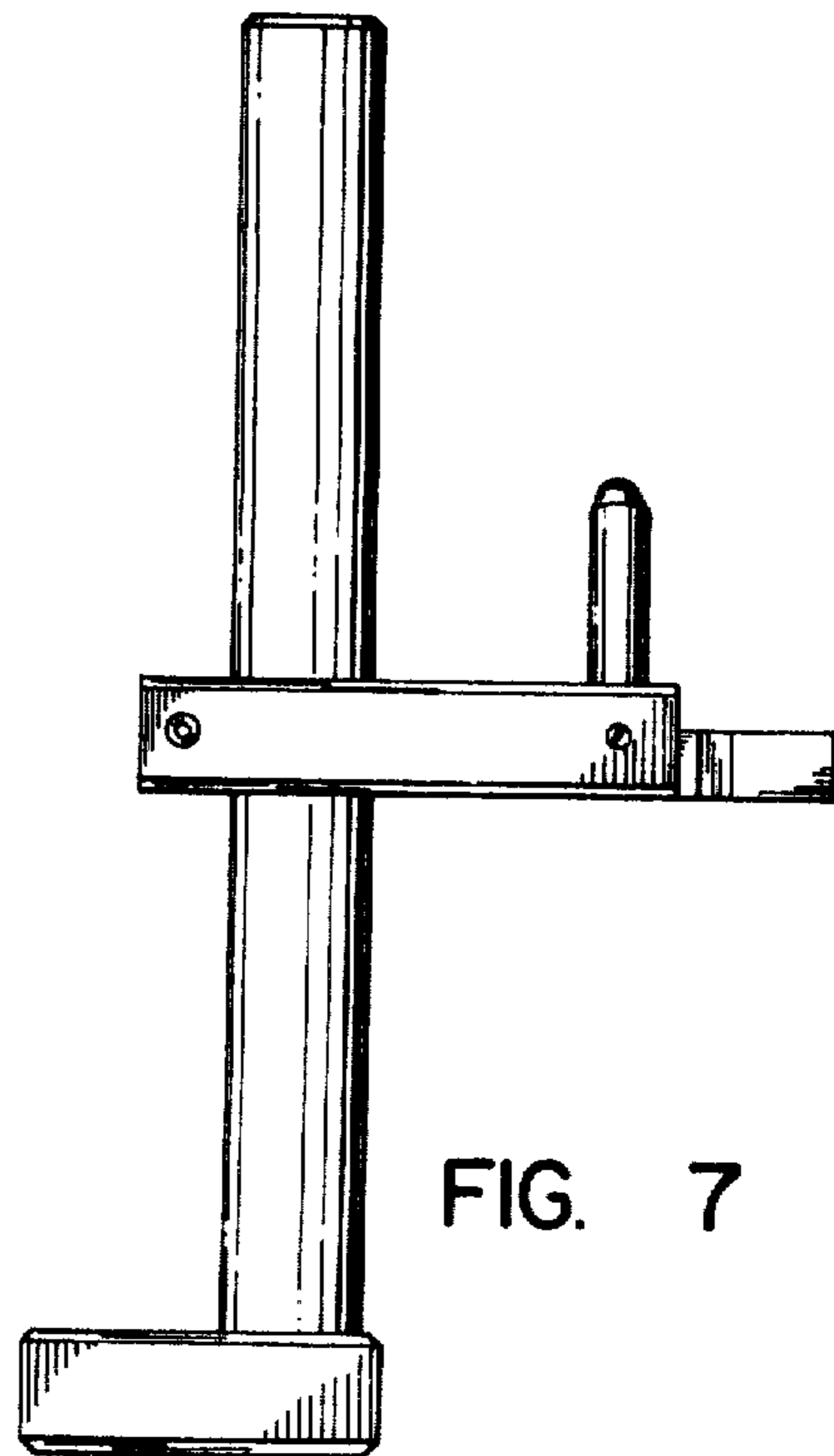


FIG. 7