

[54] FISH HOOK SHARPENER

[76] Inventor: Darrell J. Lehmann, 2033 Cap Rock, Richardson, Tex. 75080

[**] Term: 14 Years

[21] Appl. No.: 243,186

[22] Filed: Mar. 12, 1981

[51] Int. Cl. D15-99

[52] U.S. Cl. D15/125

[58] Field of Search D15/125, 124; 51/71, 51/72 R, 74 R

[56] References Cited

U.S. PATENT DOCUMENTS

D. 157,186	2/1950	Omo	D15/125
D. 215,322	9/1969	Zerlaut	D15/125
2,570,107	10/1951	Gallagher	51/72 R
3,902,279	9/1975	Lookadoo	51/72 R

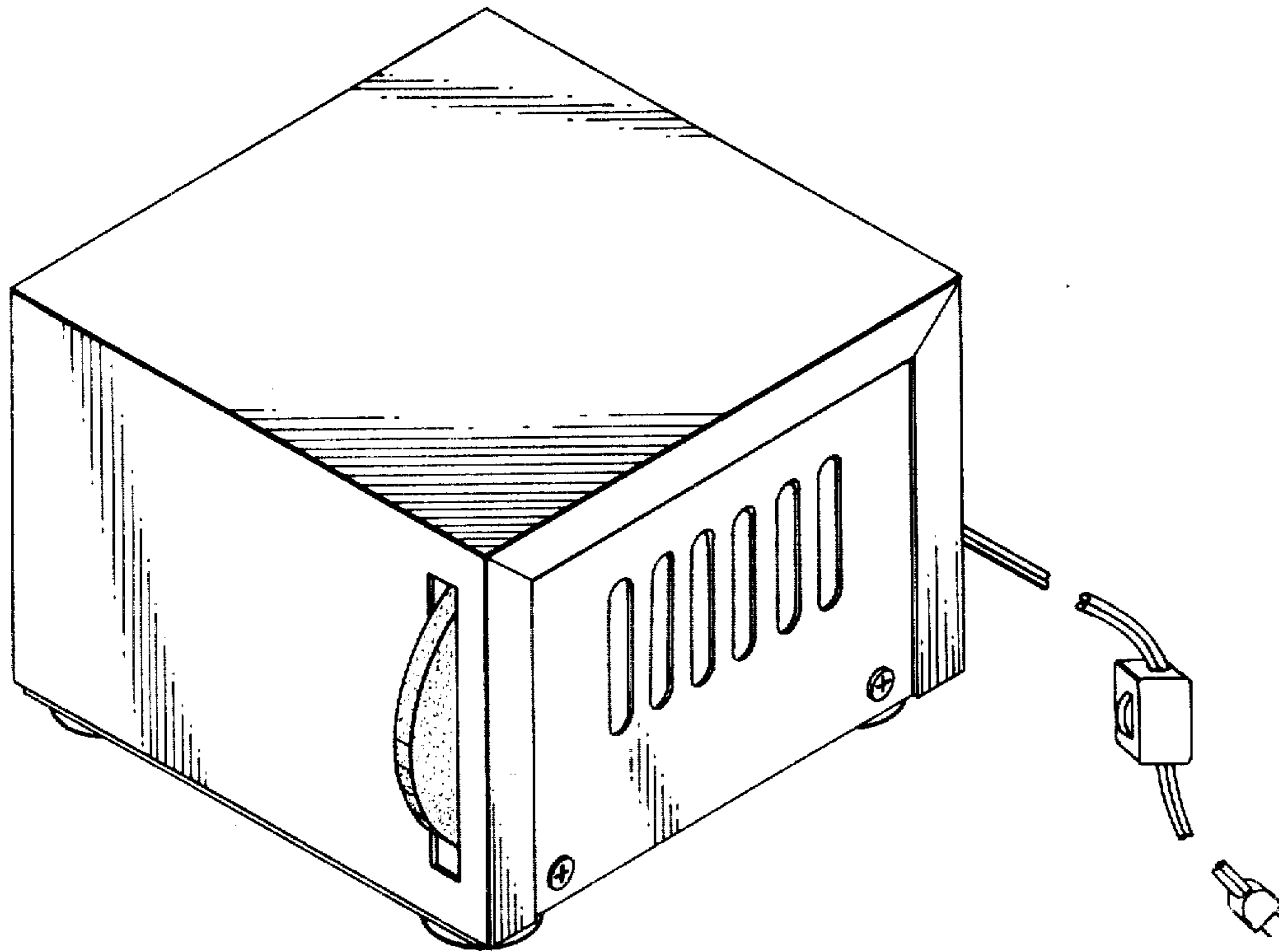
Primary Examiner—Alan P. Douglas
Attorney, Agent, or Firm—John F. Booth; Gerald G. Crutsinger; Monty L. Ross

[57] CLAIM

The ornamental design for a fish hook sharpener, substantially as shown and described.

DESCRIPTION

FIG. 1 is a top isometric view of the fish hook sharpener showing my new design, with the power cord shown broken away for convenience of illustration; and FIG. 2 is a bottom isometric view thereof.



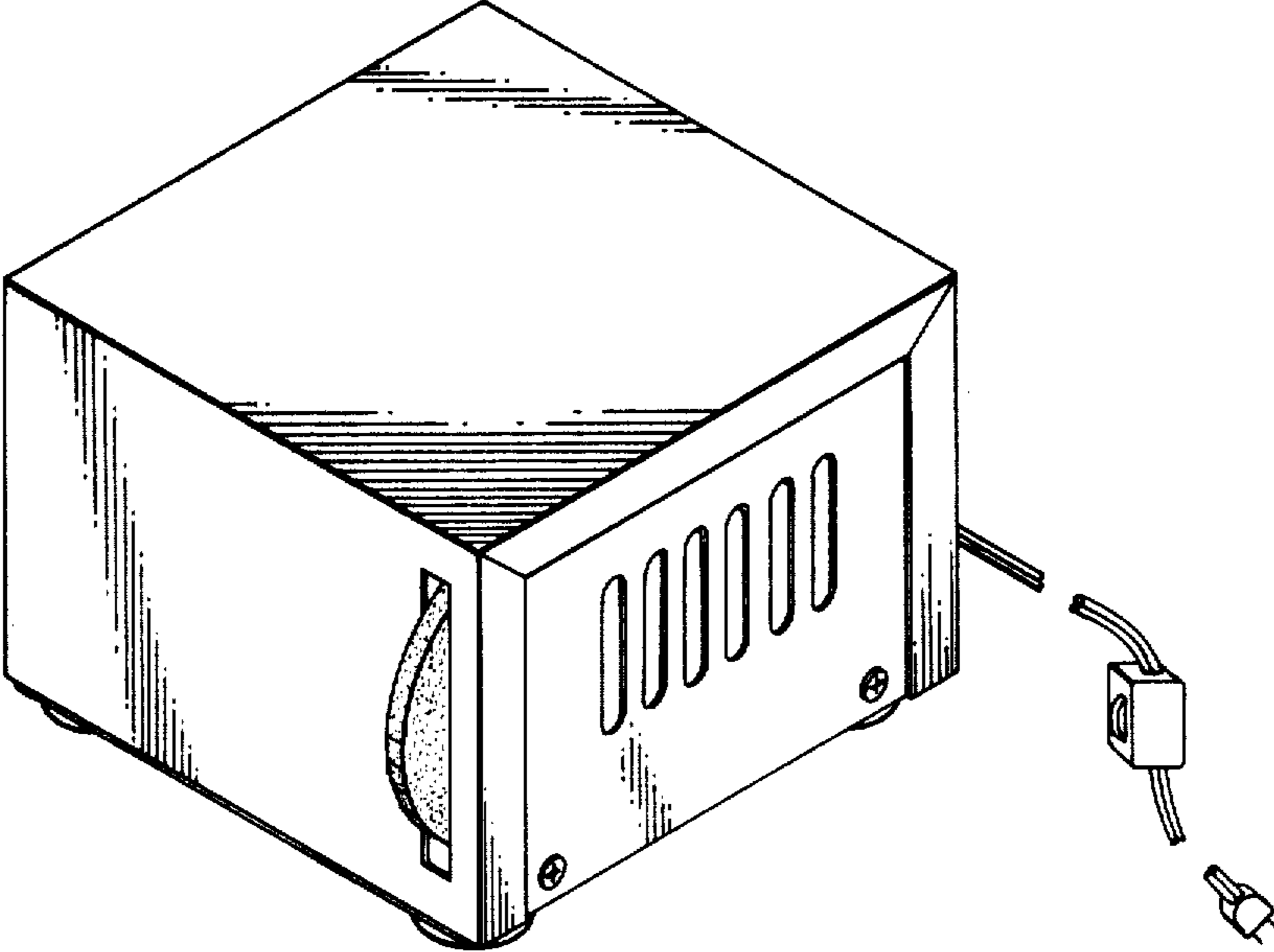


Fig. 1

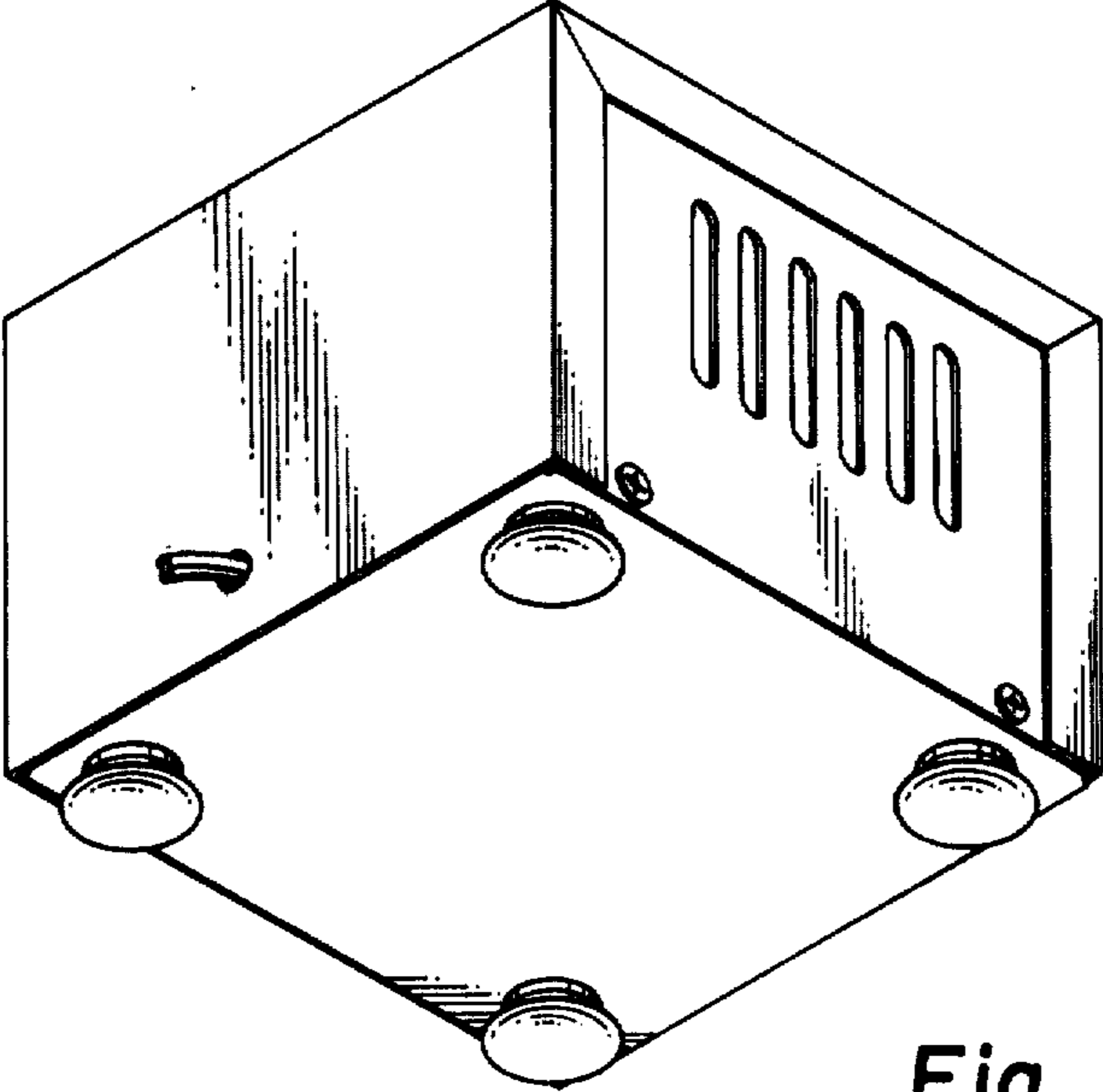


Fig. 2