

[54] INDUSTRIAL ROBOT

[75] Inventors: Michinaga Kono; Yoshio Matsumoto, both of Yokohama; Hirosuke Katsumi, Tokyo; Fumio Fukuchi, Funabashi, all of Japan

[73] Assignee: Hitachi, Ltd., Tokyo, Japan

[**] Term: 14 Years

[21] Appl. No.: 428,977

[22] Filed: Sep. 30, 1982

Related U.S. Application Data

[62] Division of Ser. No. 137,492, Apr. 4, 1980, Pat. No. Des. 268,587.

[30] Foreign Application Priority Data

Oct. 5, 1979 [JP] Japan 54-41673
Feb. 12, 1980 [JP] Japan 55-4391
Mar. 26, 1980 [JP] Japan 55-11412

[51] Int. Cl. D15-99

[52] U.S. Cl. D15/122; D15/199

[58] Field of Search D15/122, 140, 141, 199; 29/568; 219/86.25, 125.1; 414/732, 733, 735, 738

[56] References Cited

U.S. PATENT DOCUMENTS

3,227,290 1/1966 Lemelson 414/729
4,076,131 2/1978 Dahlstrom et al. 414/735
4,273,506 6/1981 Thomson et al. 414/735
4,274,802 6/1981 Inaka et al. D15/122

Primary Examiner—B. J. Bullock

Attorney, Agent, or Firm—Antonelli, Terry & Wands

[57] CLAIM

The ornamental design of a industrial robot, as shown and described.

DESCRIPTION

FIG. 1 is a perspective view of an industrial robot showing our new design;
FIG. 2 is a front elevational view thereof;
FIG. 3 is a rear elevational view thereof;
FIG. 4 is a side elevational view taken from the right side of FIG. 1 thereof;
FIG. 5 is a top plan view thereof;
FIG. 6 is a side elevational view from the left side of FIG. 1 thereof; and
FIG. 7 is a bottom plan view thereof.

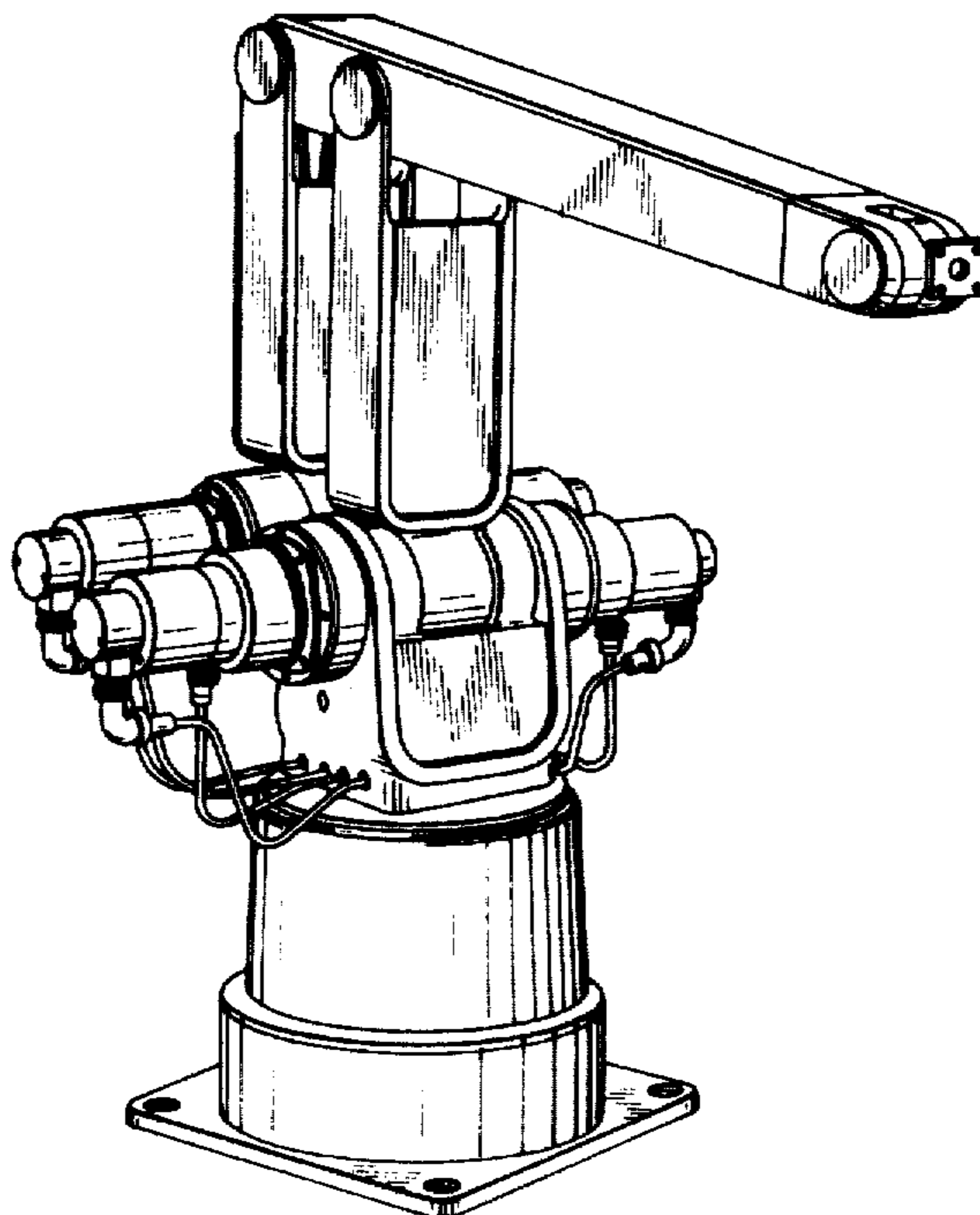


FIG. 1

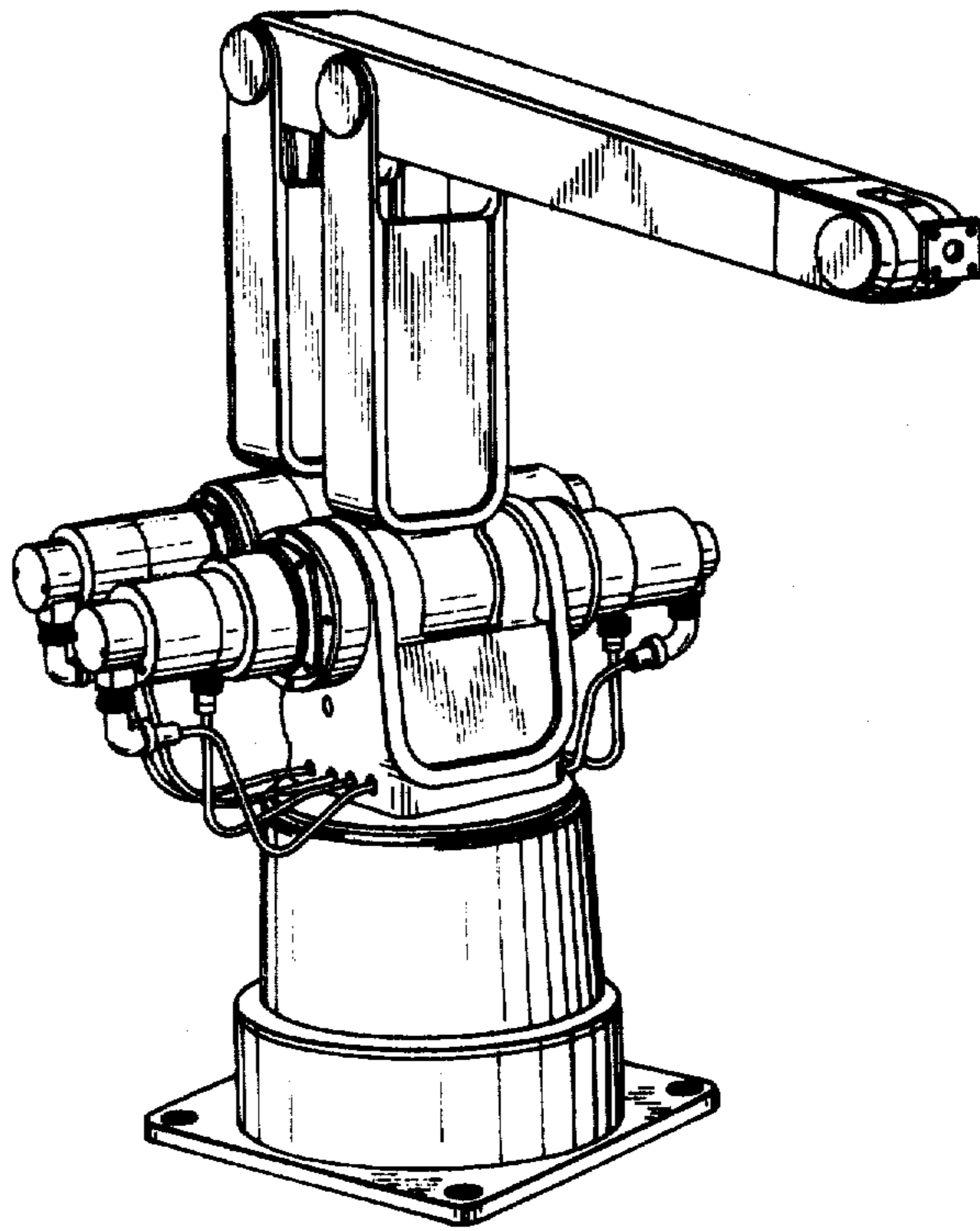


FIG. 2

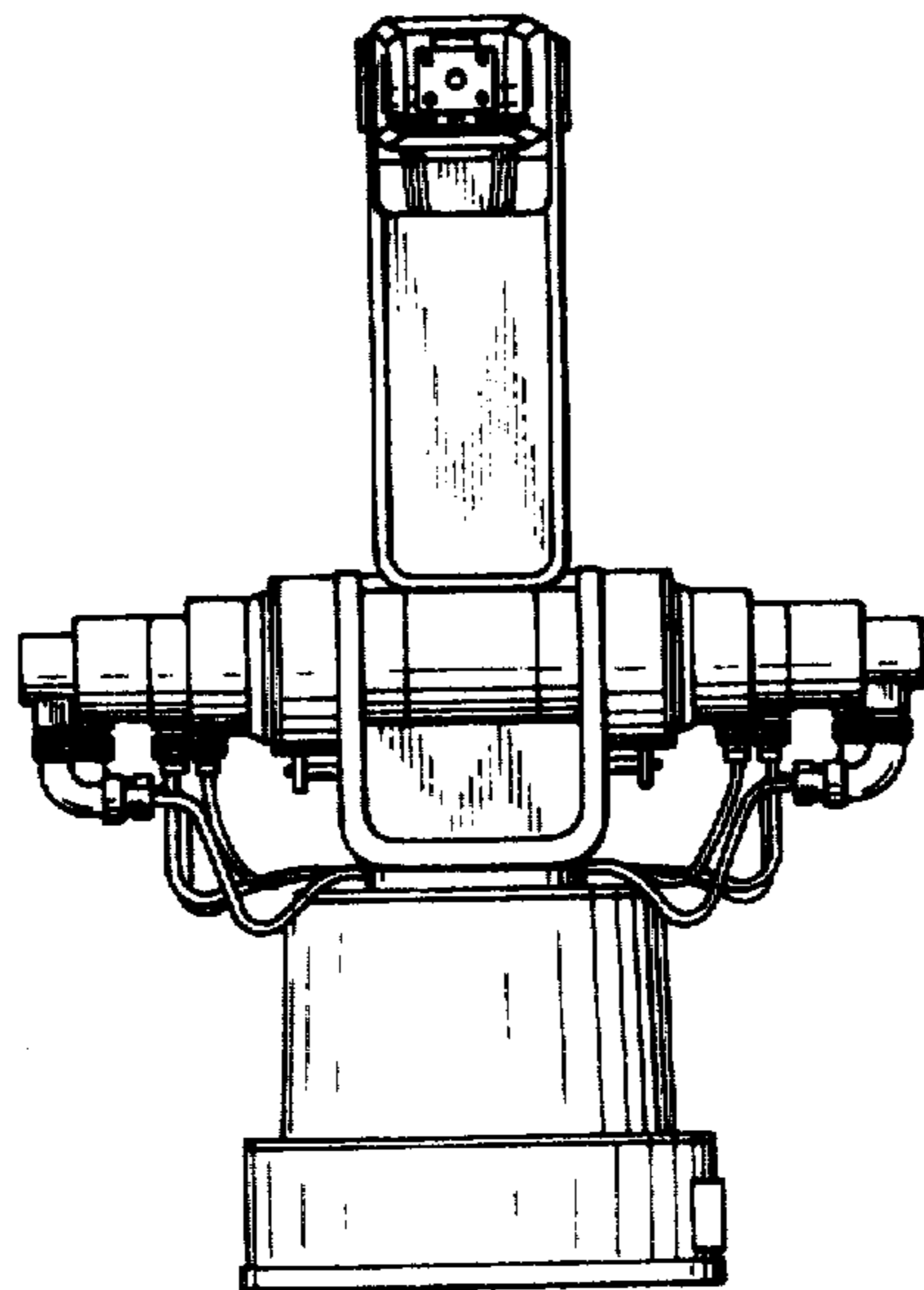


FIG. 3

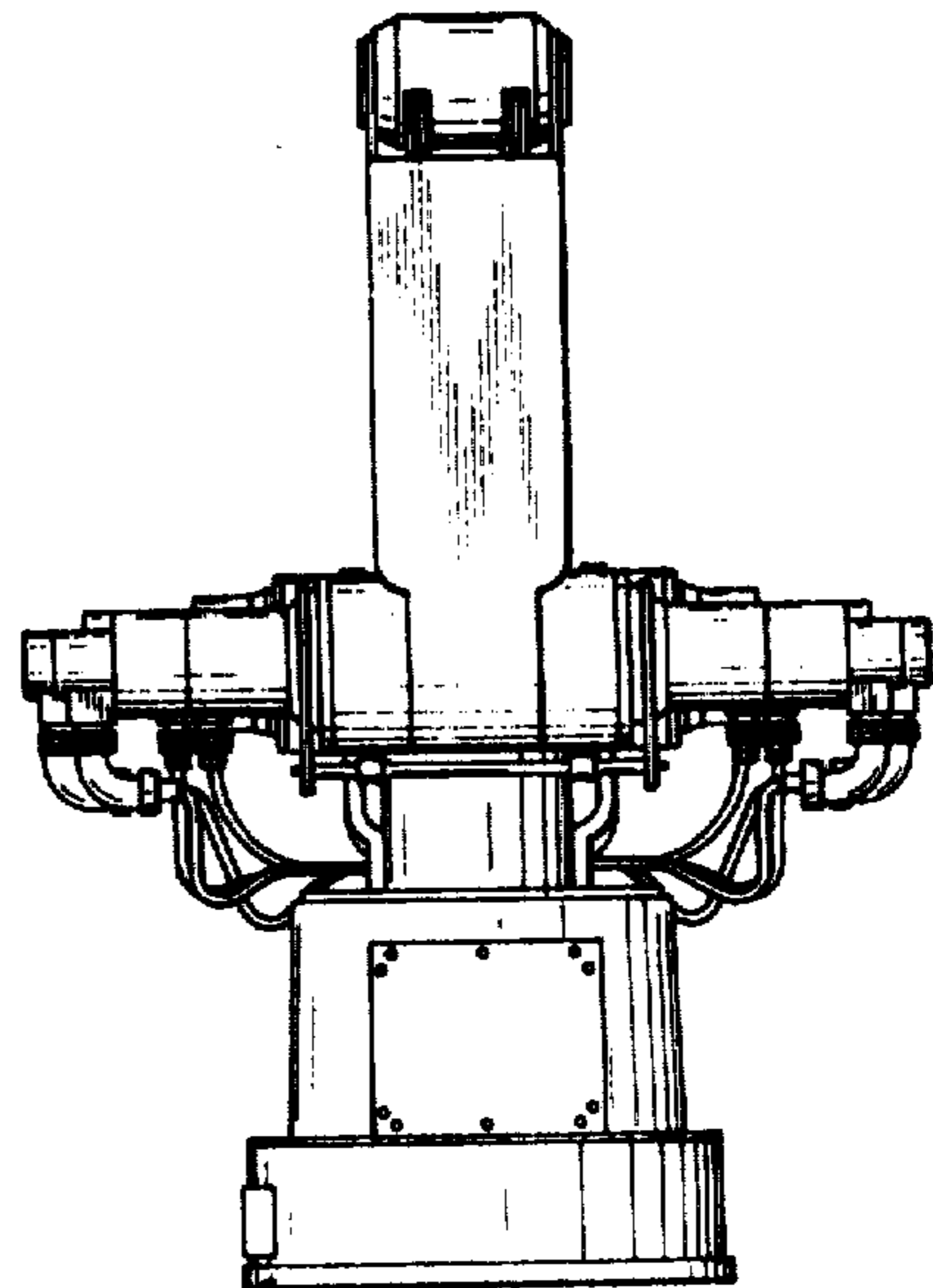


FIG. 4

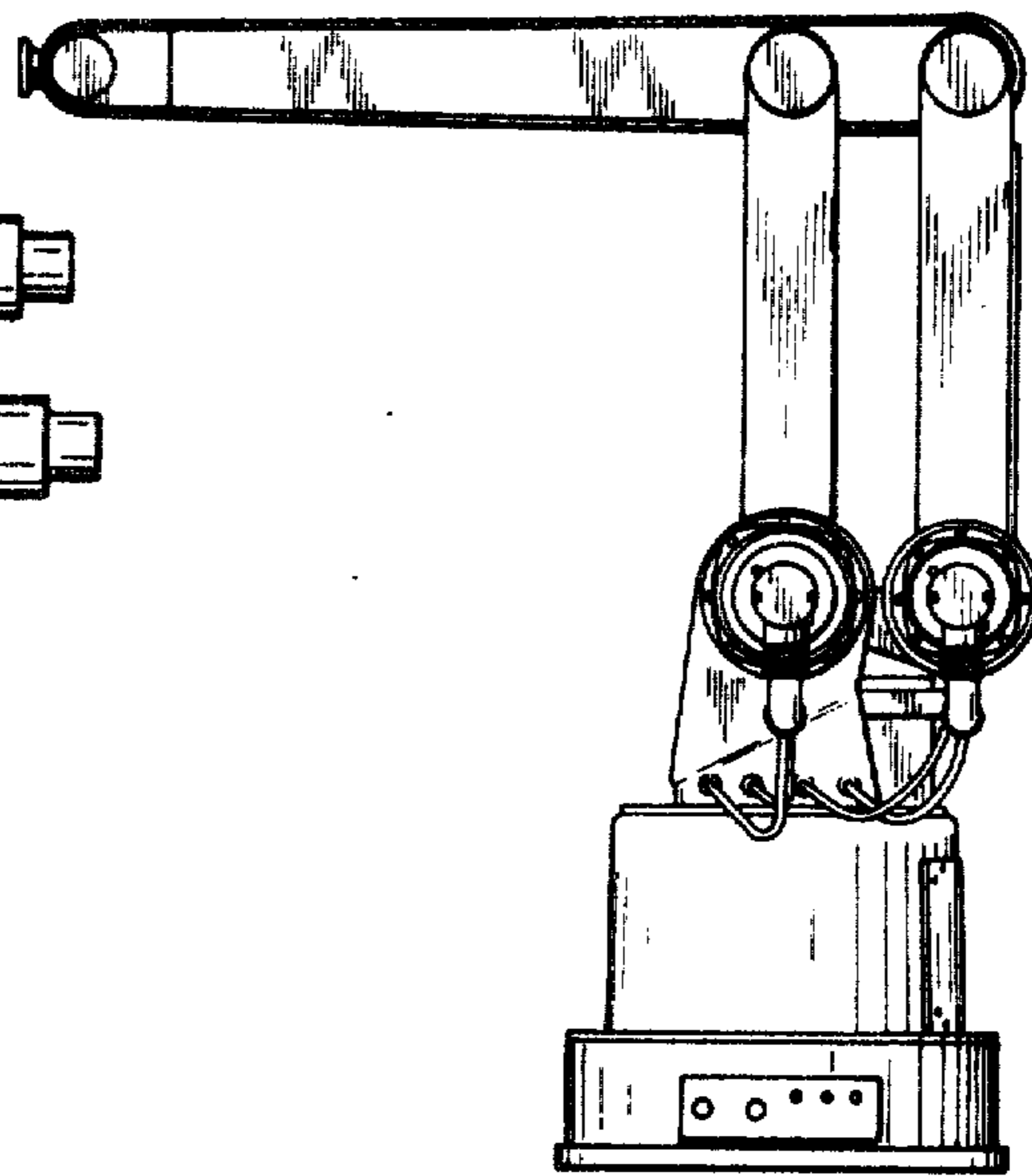


FIG. 5

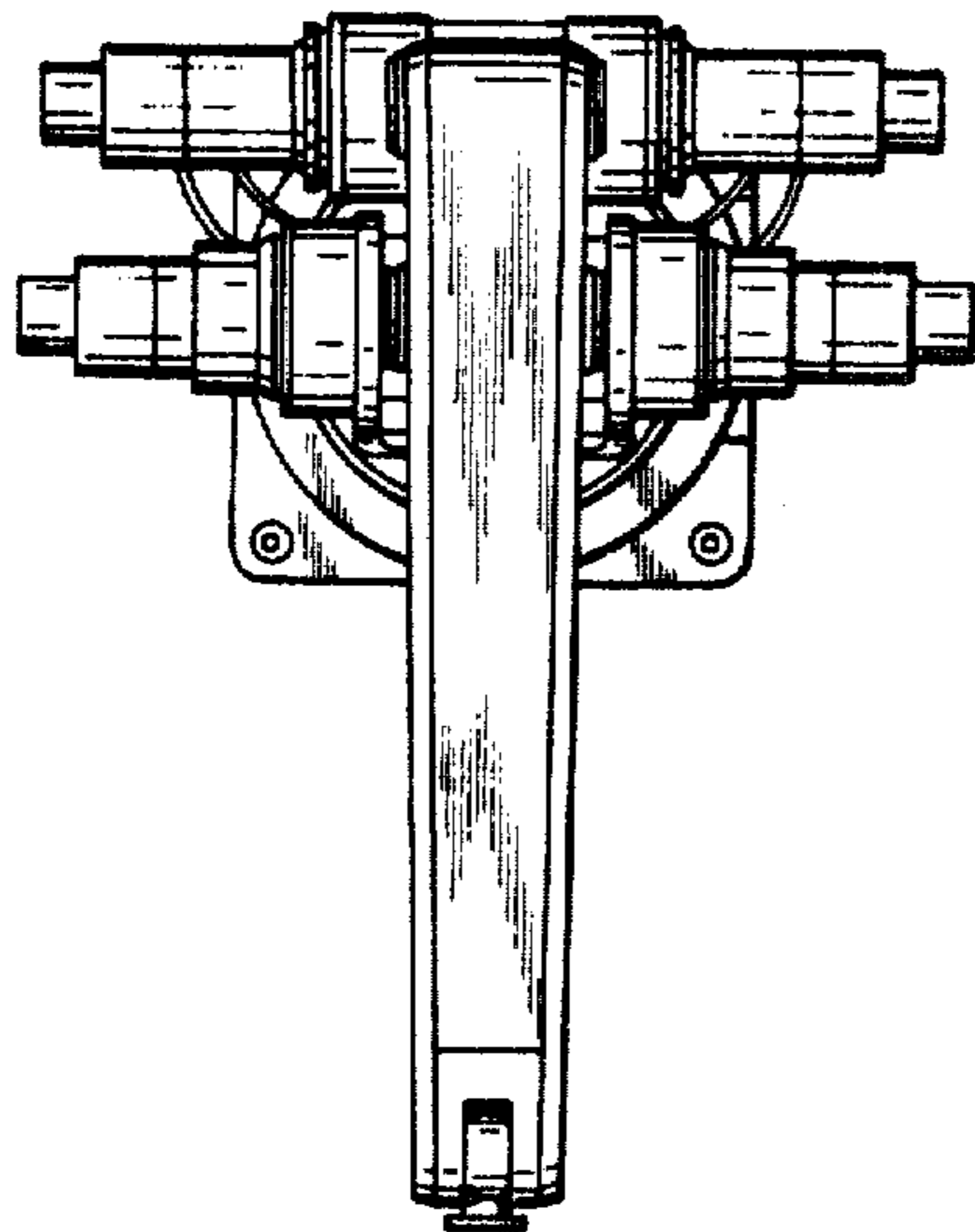


FIG. 6

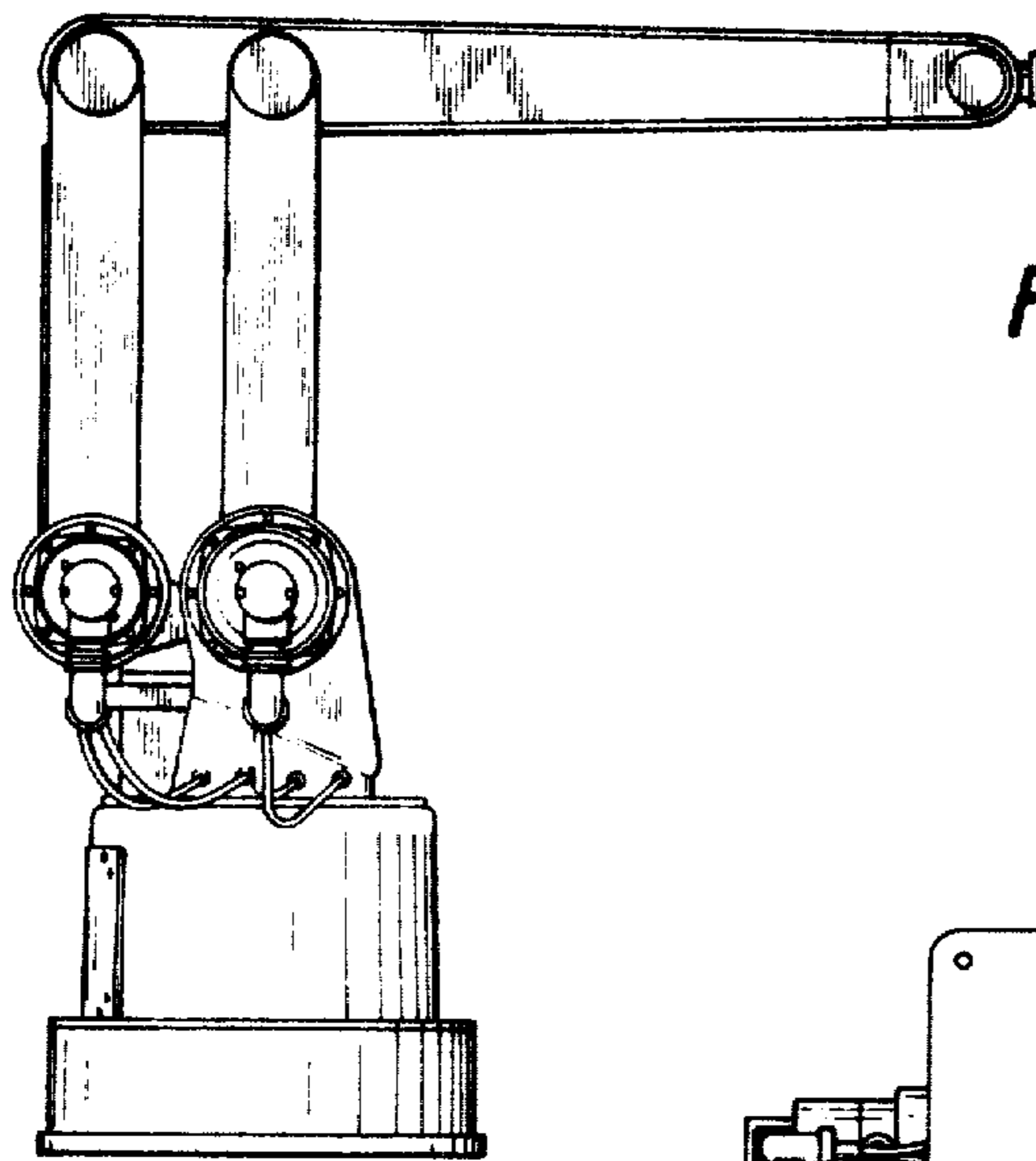


FIG. 7

