

[54] ICE CUBE TRAY

[75] Inventors: Robert H. C. M. Daenen, Hekelgem, Belgium; Erik Herlow, Tikob, Denmark

[73] Assignee: Dart Industries Inc., Northbrook, Ill.

[\*\*] Term: 14 Years

[21] Appl. No.: 280,855

[22] Filed: Sep. 17, 1981

[51] Int. Cl. .... D15-07

[52] U.S. Cl. .... D15/90; D7/43

[58] Field of Search .... D15/90; 249/118, 119, 249/120, 121, 127-134; D7/38, 43, 357, 359

[56] References Cited

U.S. PATENT DOCUMENTS

D. 187,440	3/1960	Tupper	.....	D15/90
D. 221,883	7/1971	Cash	.....	D7/38
D. 238,250	12/1975	Sauer	.....	D7/43
4,372,526	2/1983	Daenen et al.	.....	249/119

Primary Examiner—Wallace R. Burke

Assistant Examiner—Lynn Wilder

[57] CLAIM

The ornamental design for an ice cube tray, substantially as shown.

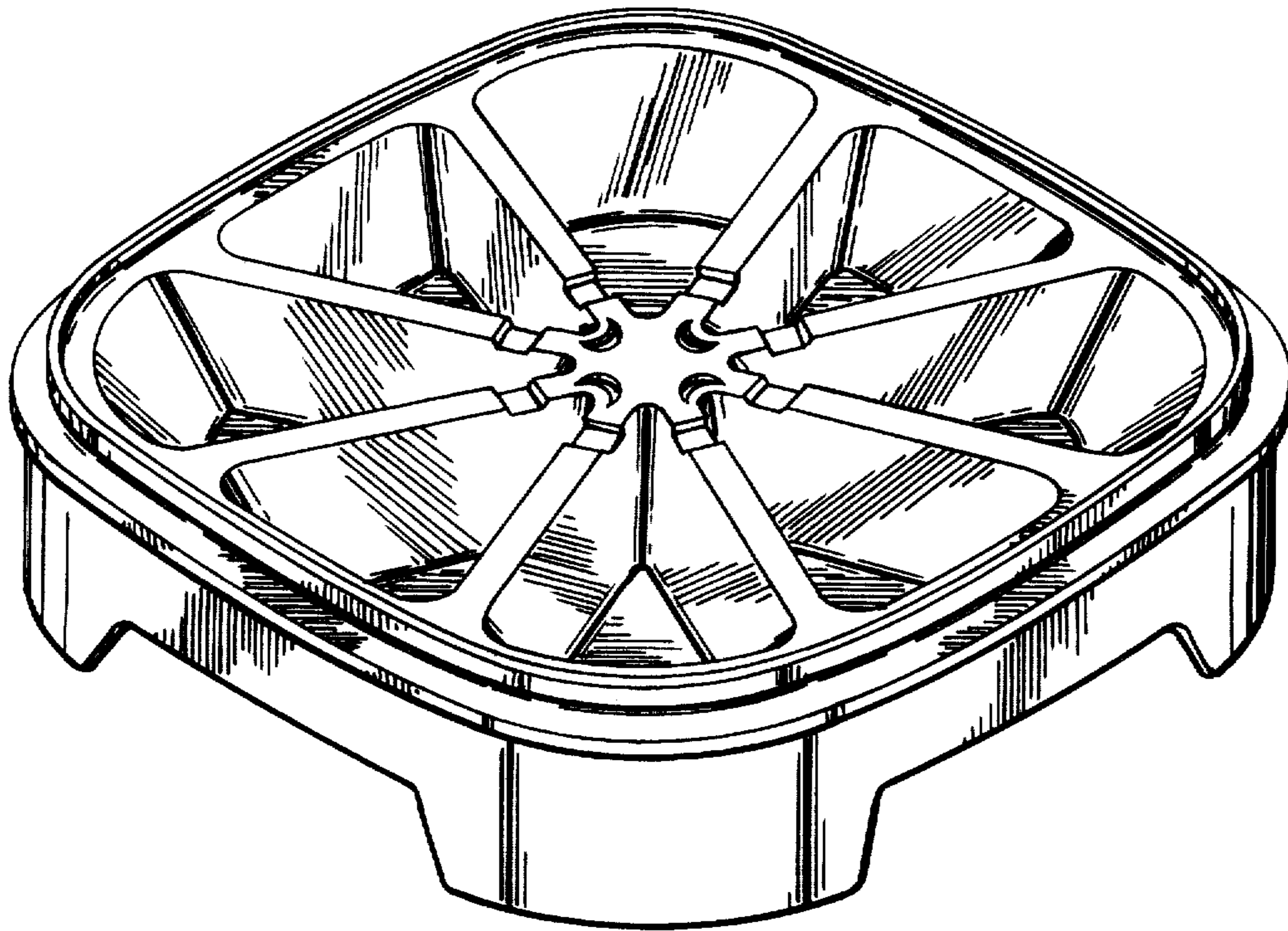
DESCRIPTION

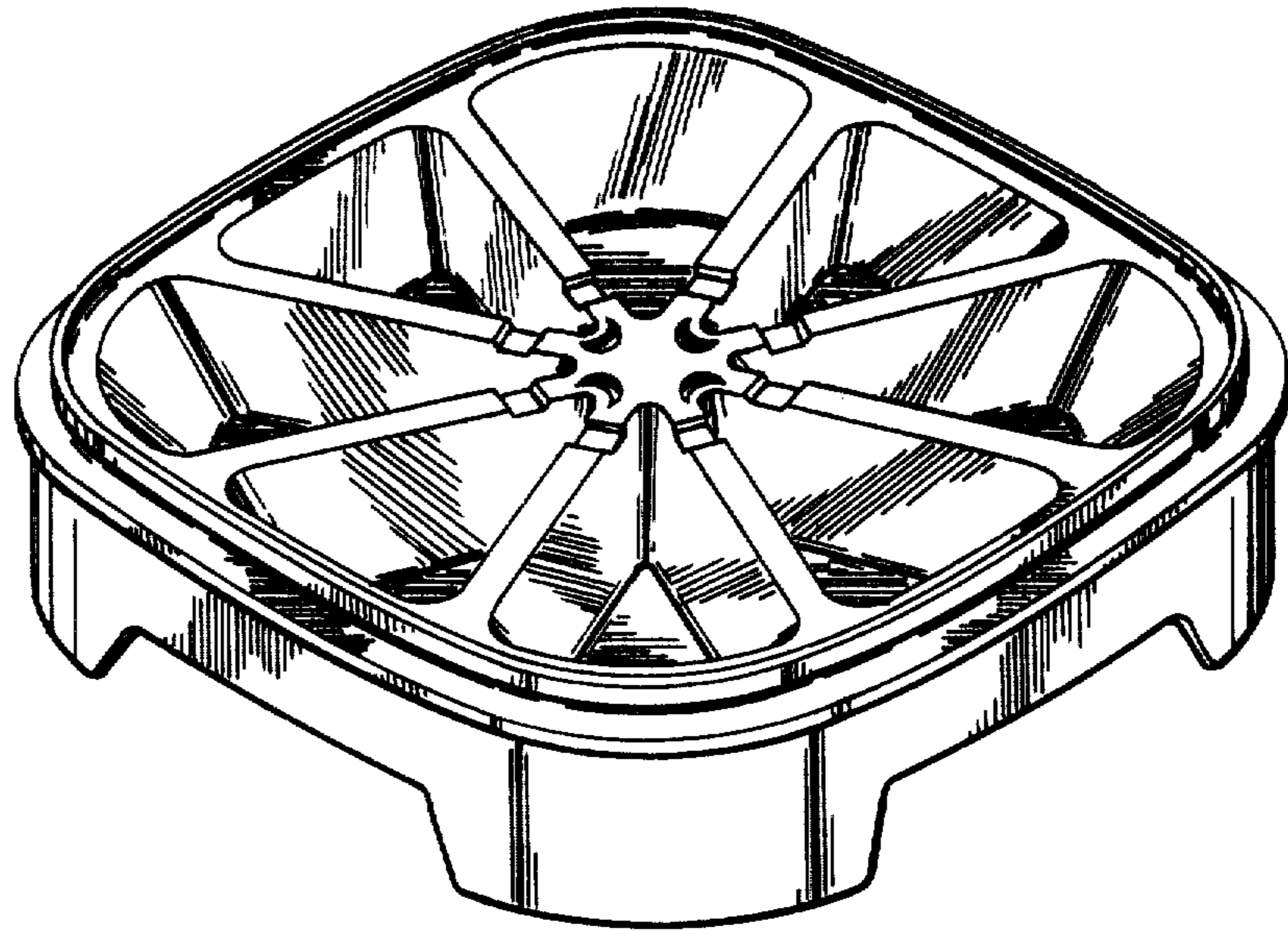
FIG. 1 is a perspective view of an ice cube tray showing our new design;

FIG. 2 is a top plan view thereof;

FIG. 3 is a bottom plan view thereof; and

FIG. 4 is a side elevational view thereof, each other side being mirror images.

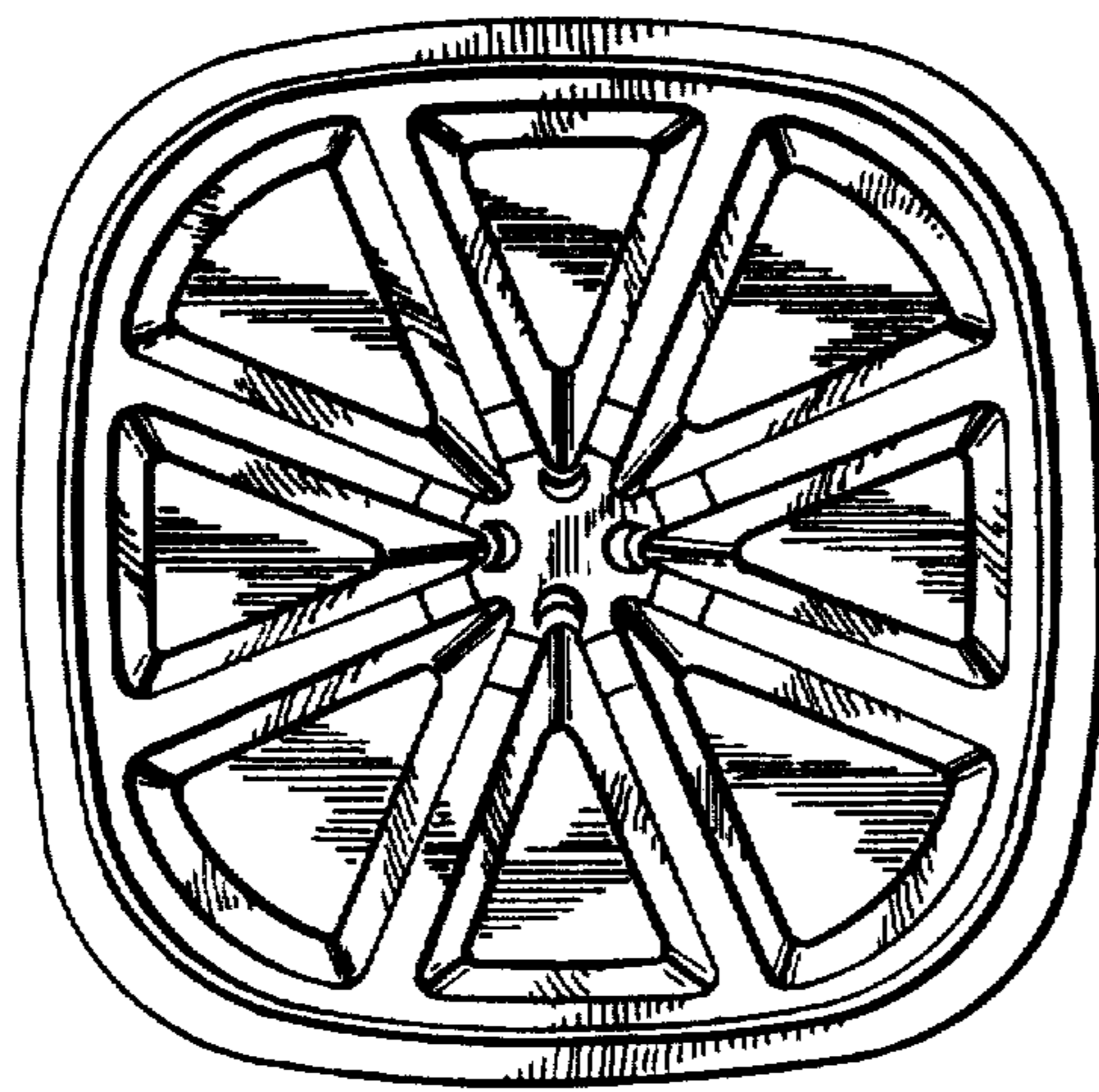




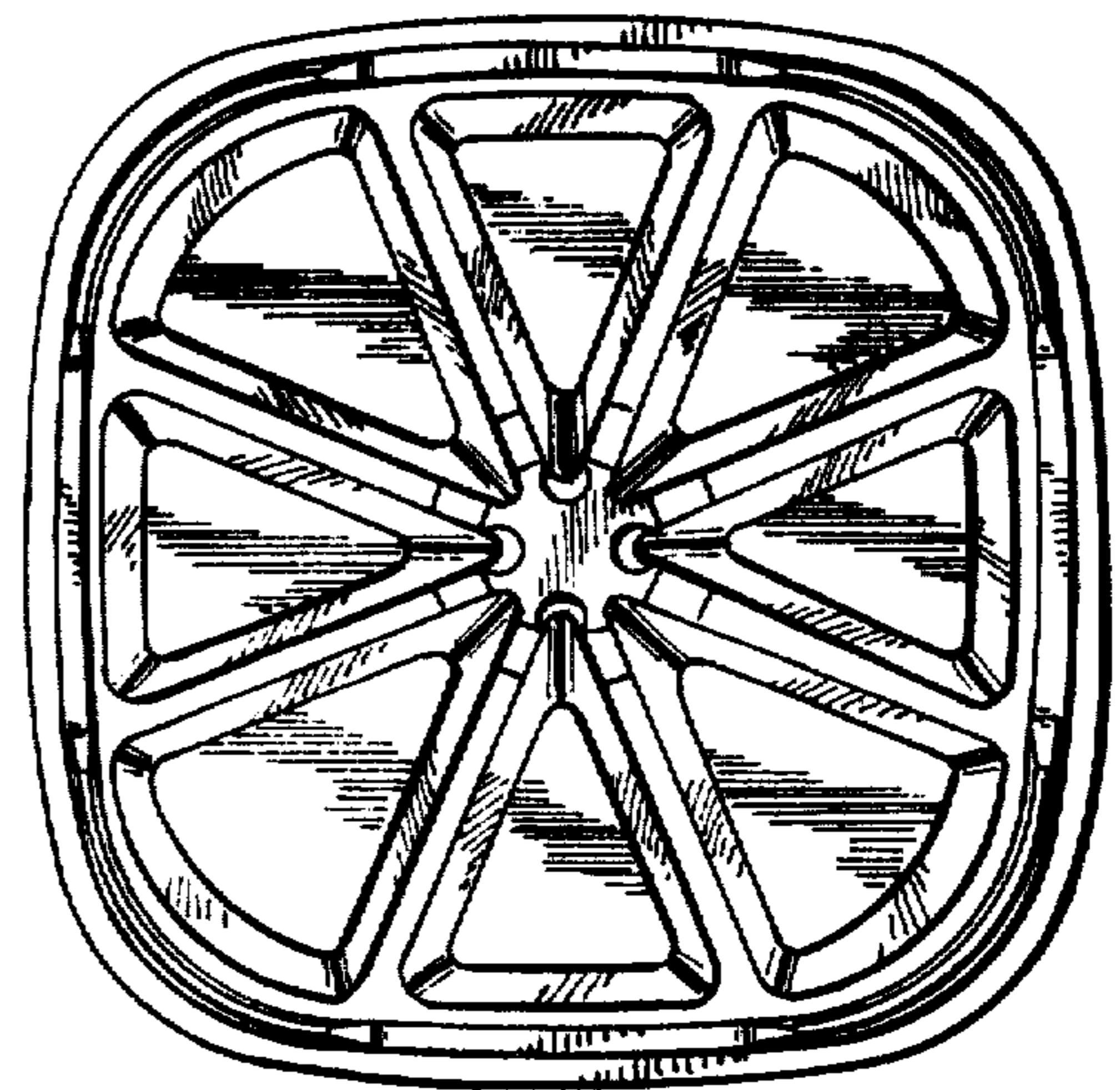
*Fig. 1*



*Fig. 4*



*Fig. 2*



*Fig. 3*