

[54] CULTIVATOR

[75] Inventor: John E. Sommerfeld, Litchfield, Minn.

[73] Assignee: Fabridyne, Inc., Litchfield, Minn.

[**] Term: 14 Years

[21] Appl. No.: 273,402

[22] Filed: Jun. 15, 1981

[51] Int. Cl. D15-03

[52] U.S. Cl. D15/27; D15/28; D15/29

[58] Field of Search D15/10, 11, 27, 28; 172/624, 497, 500

[56] References Cited

U.S. PATENT DOCUMENTS

402,196	4/1889	Ringwood	172/500
1,182,766	5/1916	Hoxworth	172/487
4,210,210	7/1980	Ankenman	172/272

OTHER PUBLICATIONS

Minneapolis-Moline Modern Machinery-Rotary Hoe

& Field Cultivator, 5/13/1949, p. 4, upper right hand corner.

John Deere-Drawn & Mounted Chisel Plows, 10/11/1977, p. 10, 1600 Chisel Plow, lower left corner.

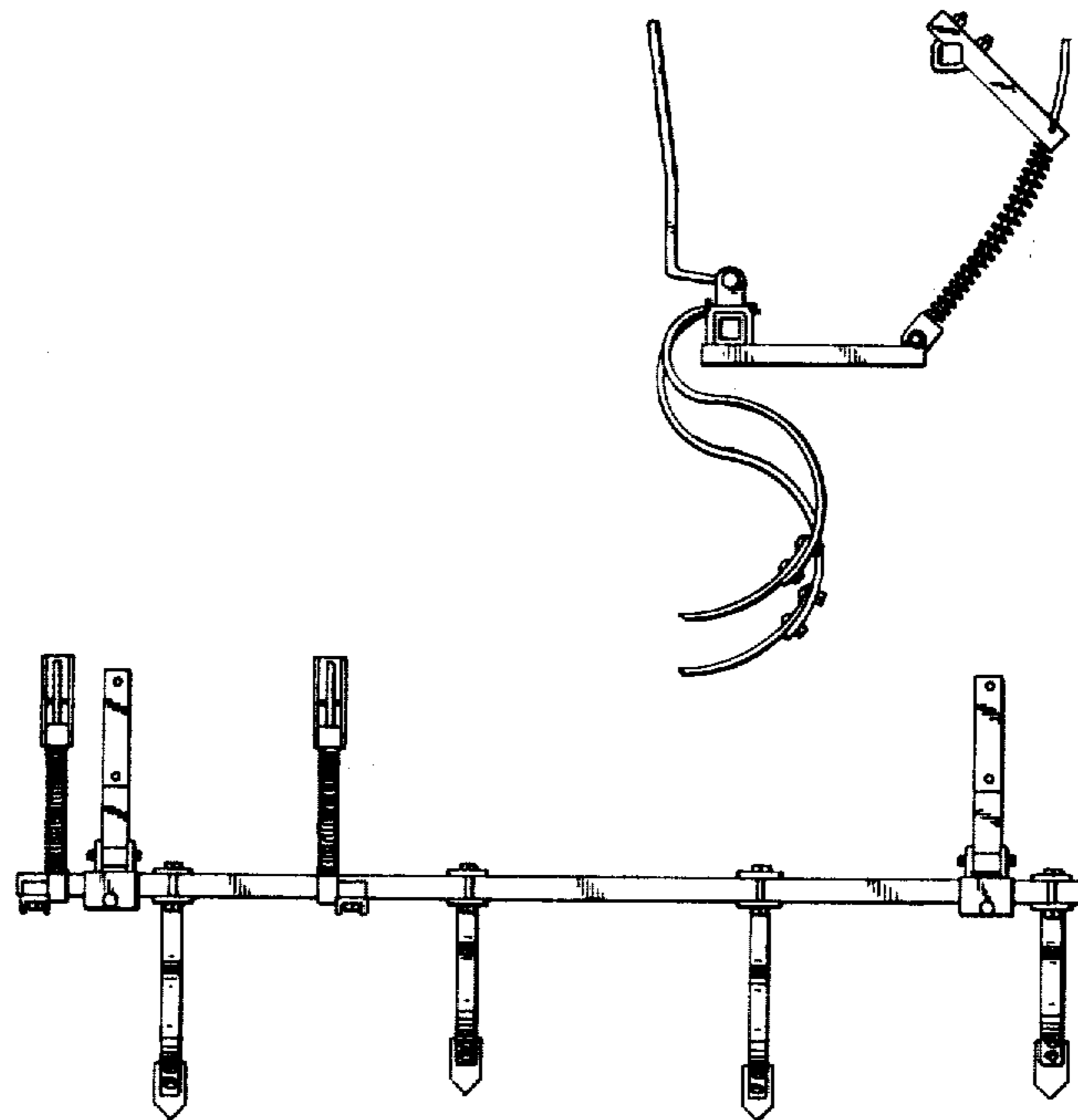
Primary Examiner—Wallace R. Burke
Assistant Examiner—Suzanne N. Gitlin
Attorney, Agent, or Firm—James R. Haller

[57] CLAIM

The ornamental design for a cultivator, as shown and described.

DESCRIPTION

FIG. 1 is an end elevational view of a cultivator showing my new design;
FIG. 2 is an elevational view of FIG. 1 as seen from the opposite end;
FIG. 3 is a front elevational view thereof;
FIG. 4 is a rear elevational view thereof;
FIG. 5 is a top plan view thereof;
FIG. 6 is a bottom plan view thereof.



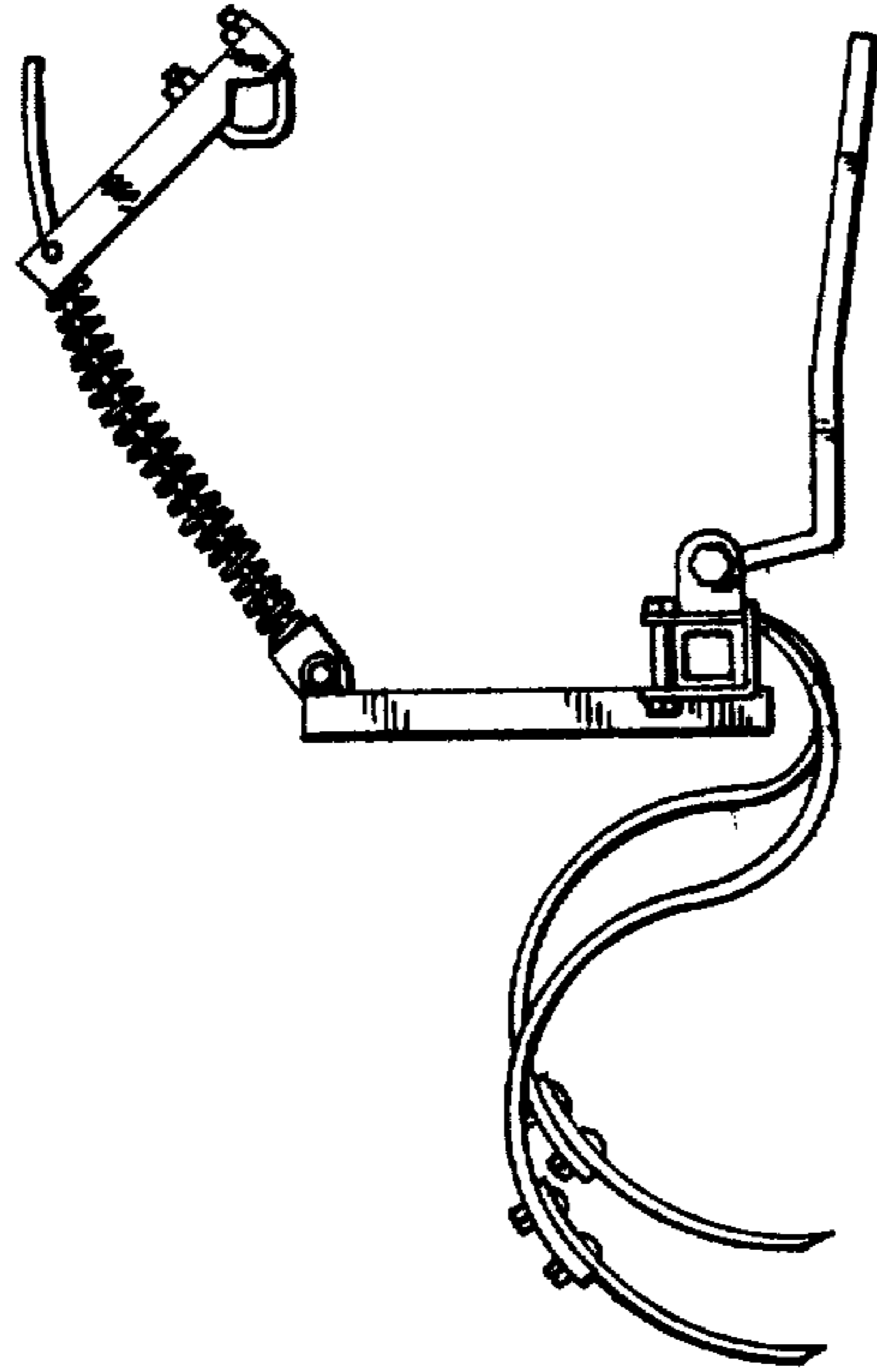


Fig. 1

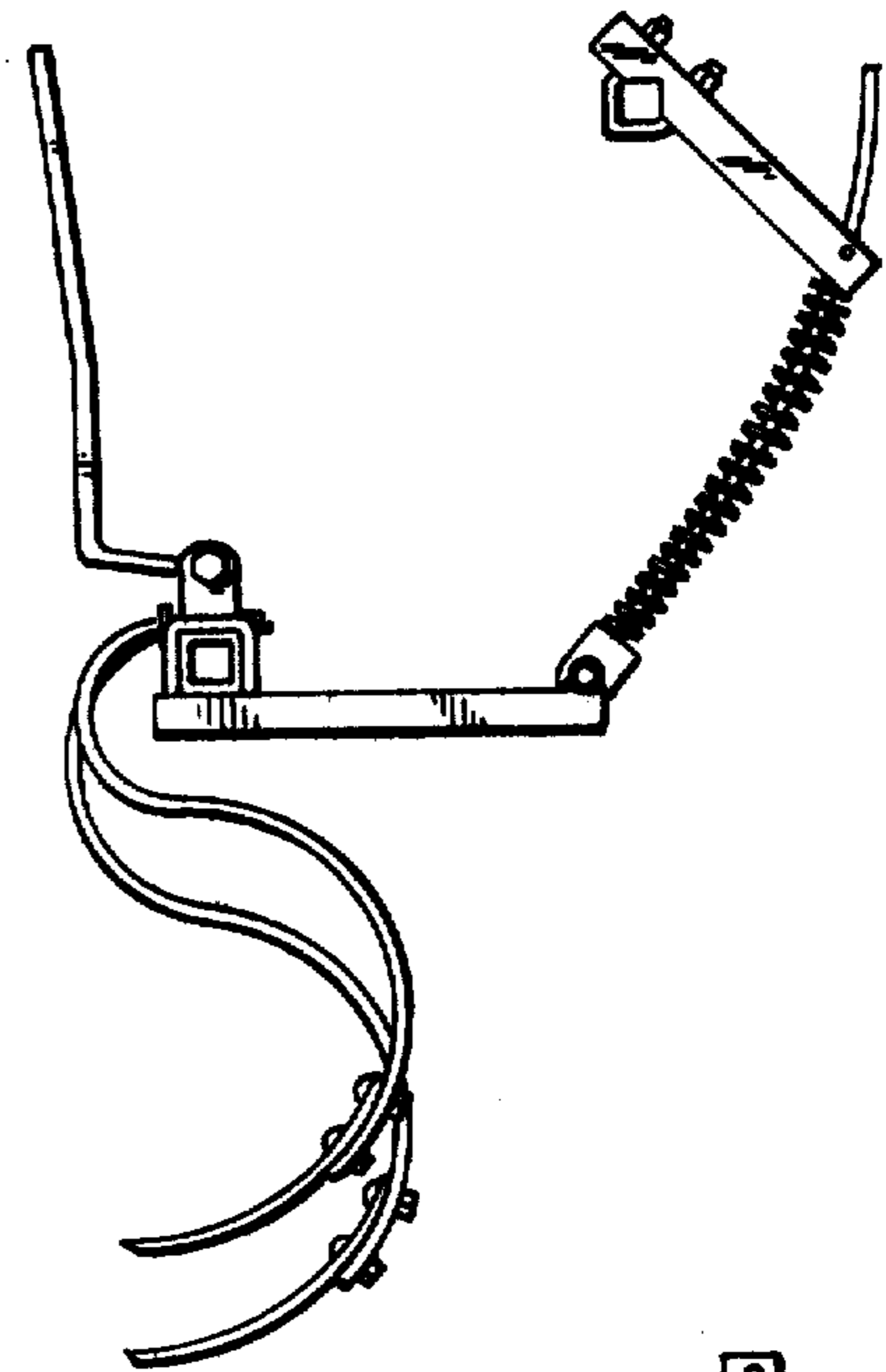


Fig. 2

Fig. 4

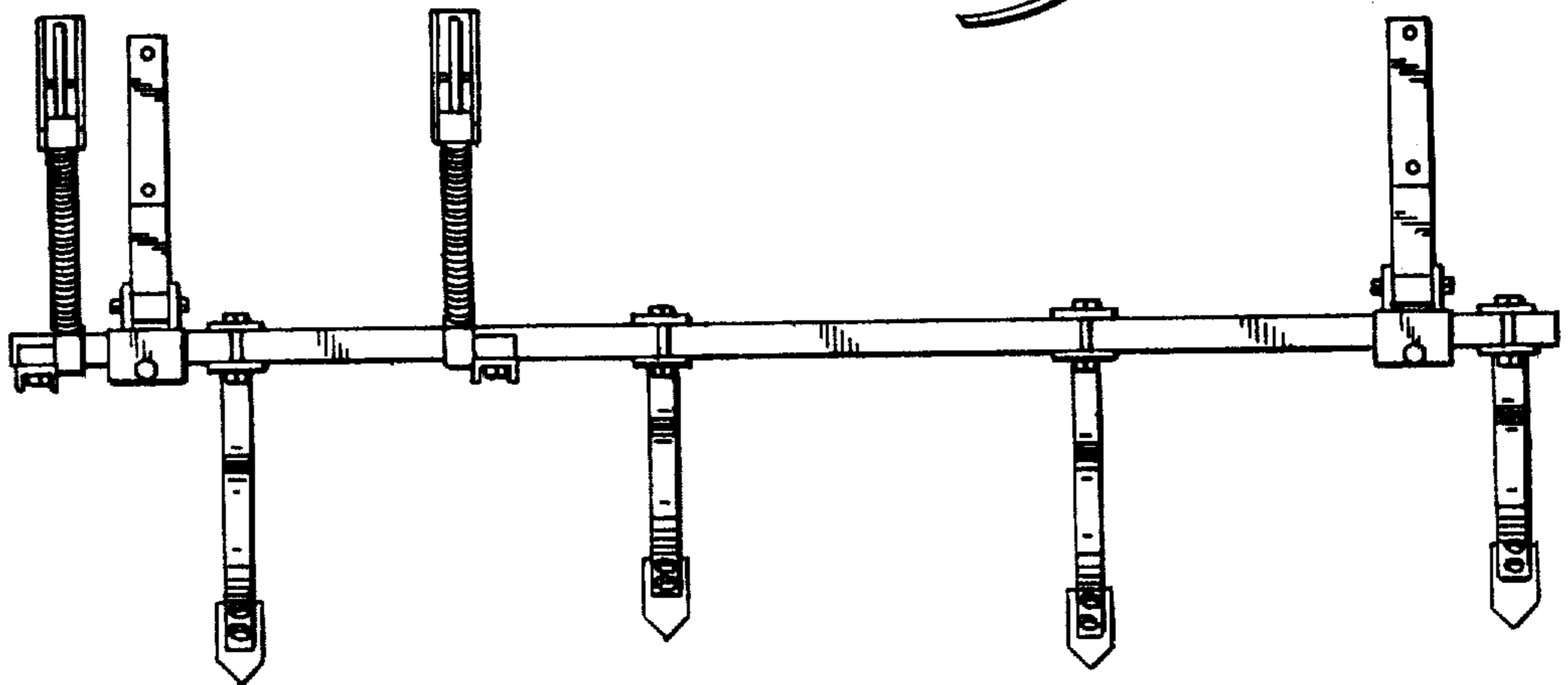


Fig. 3

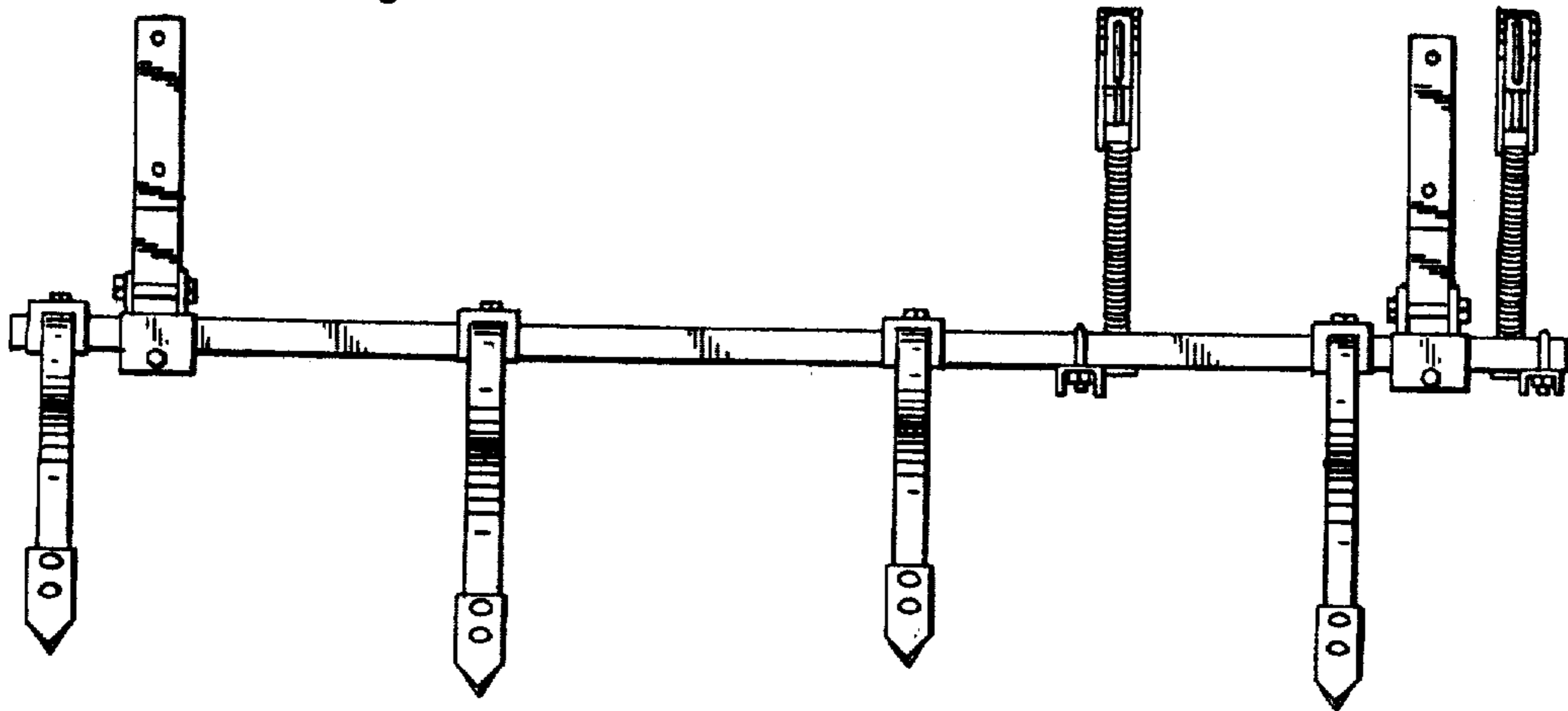


Fig. 5

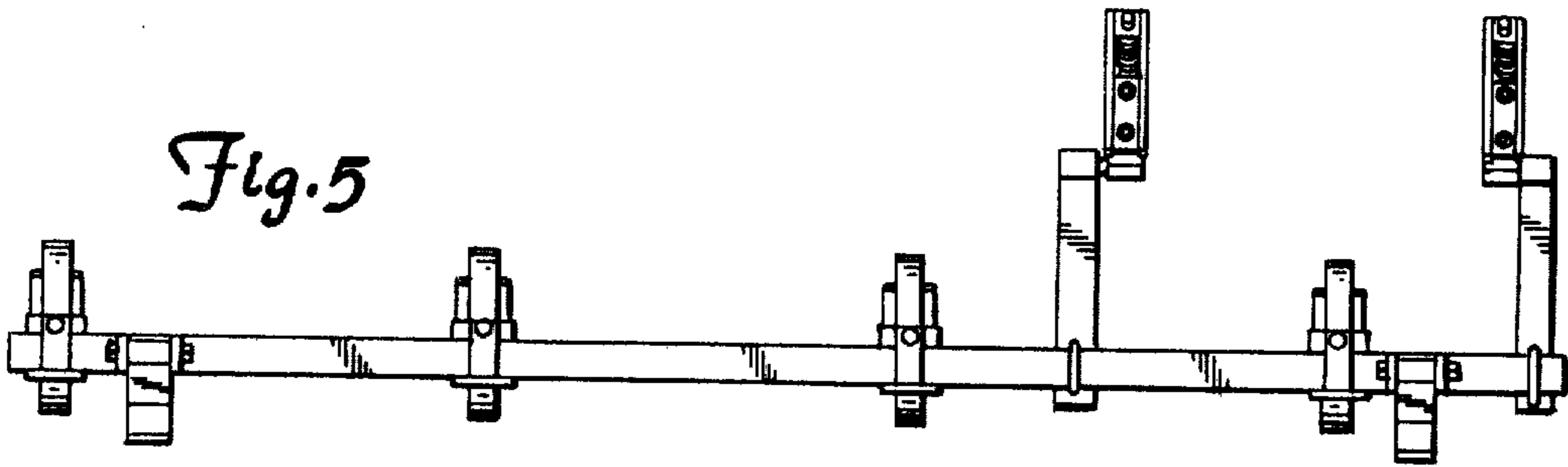


Fig. 6

