

- [54] **CARRIER RACK FOR BICYCLES**
- [75] Inventors: **Thomas C. Patterson**, Westport;
David L. Campbell, Norwalk, both of
Conn.
- [73] Assignee: **Cannondale Corporation**,
Georgetown, Conn.
- [**] Term: **14 Years**
- [21] Appl. No.: **310,762**
- [22] Filed: **Oct. 13, 1981**
- [51] Int. Cl. **D12-11**
- [52] U.S. Cl. **D12/158**
- [58] Field of Search **D12/158; 224/32 A, 39**

Mounting Model Rack, center right side of page and Front Rack, second box in from upper right side of page.

Primary Examiner—James M. Gandy
Attorney, Agent, or Firm—Brumbaugh, Graves,
Donohue & Raymond

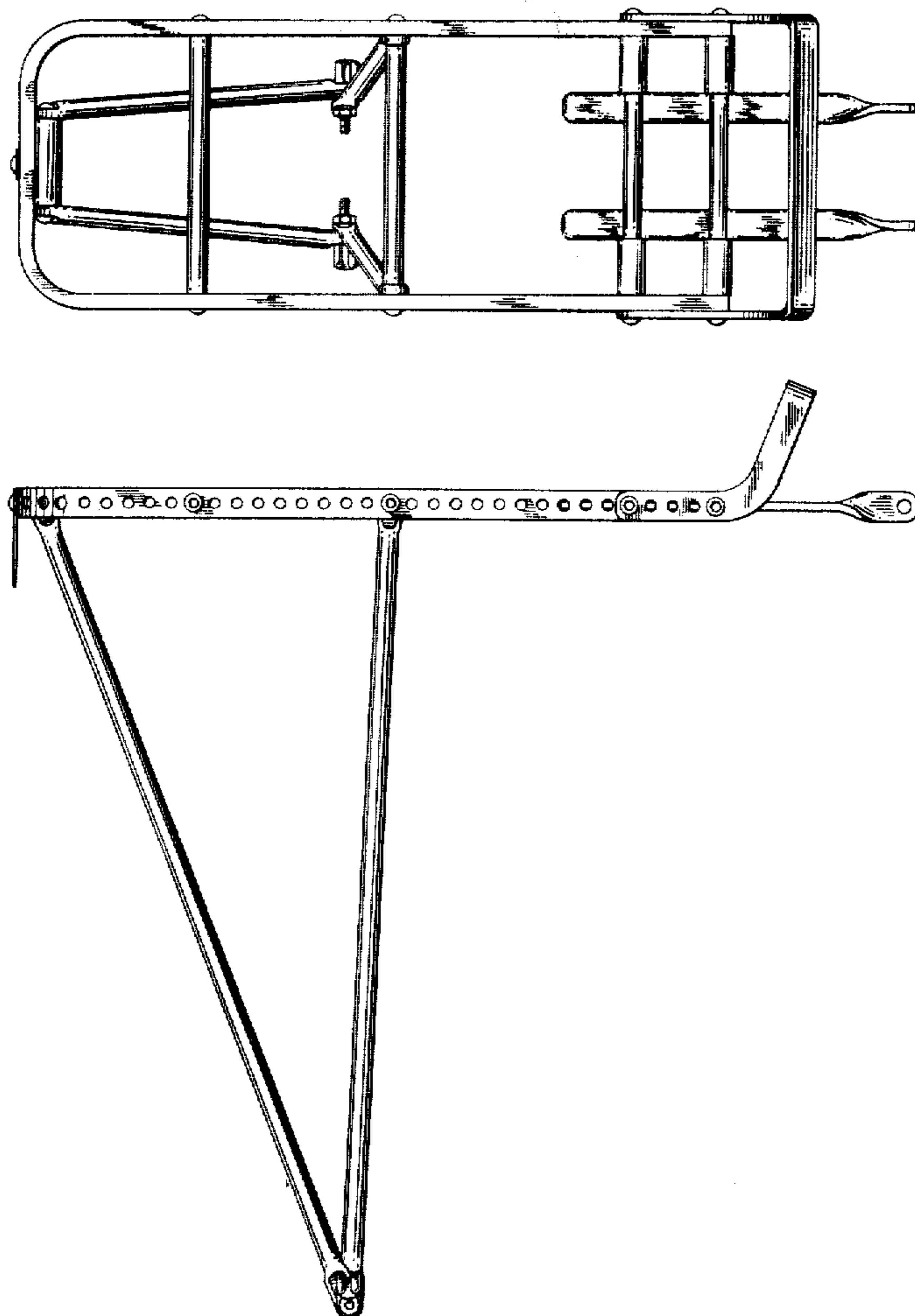
[57] **CLAIM**

The ornamental design for a carrier rack for bicycles, as shown.

DESCRIPTION

FIG. 1 is a top plan view of a carrier rack for bicycles showing our new design;
FIG. 2 is a side elevational view thereof;
FIG. 3 is a rear elevational view thereof; and
FIG. 4 is a front elevational view thereof.

- [56] **References Cited**
PUBLICATIONS
Summer 1981 Bikecology Catalog, p. 44, Seat Stay



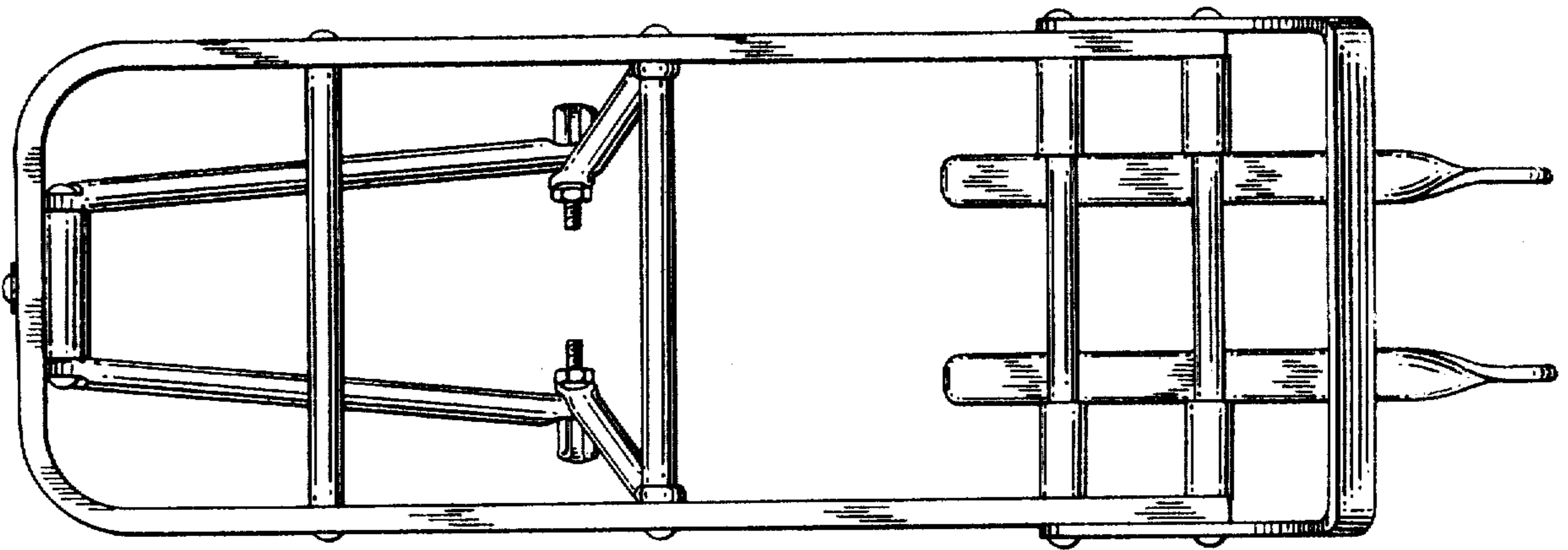


FIG. 1

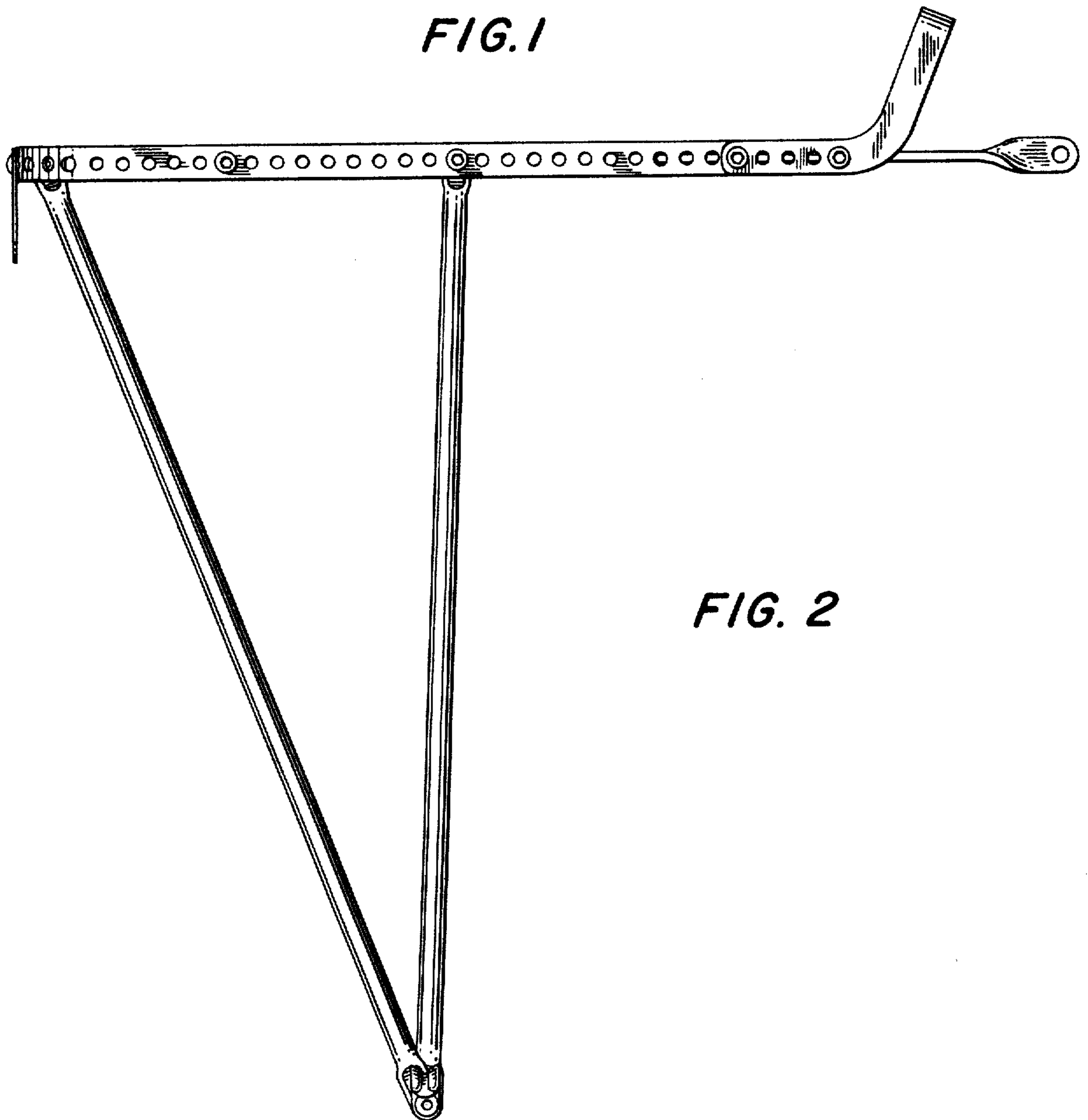


FIG. 2

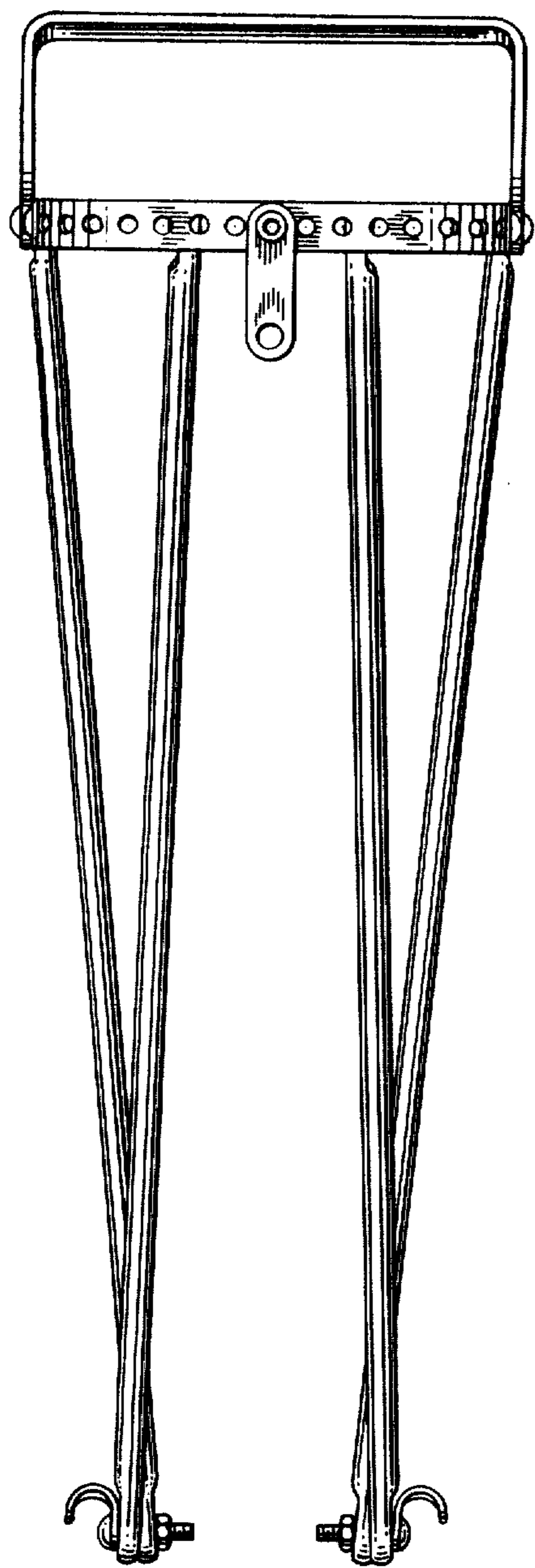


FIG. 3

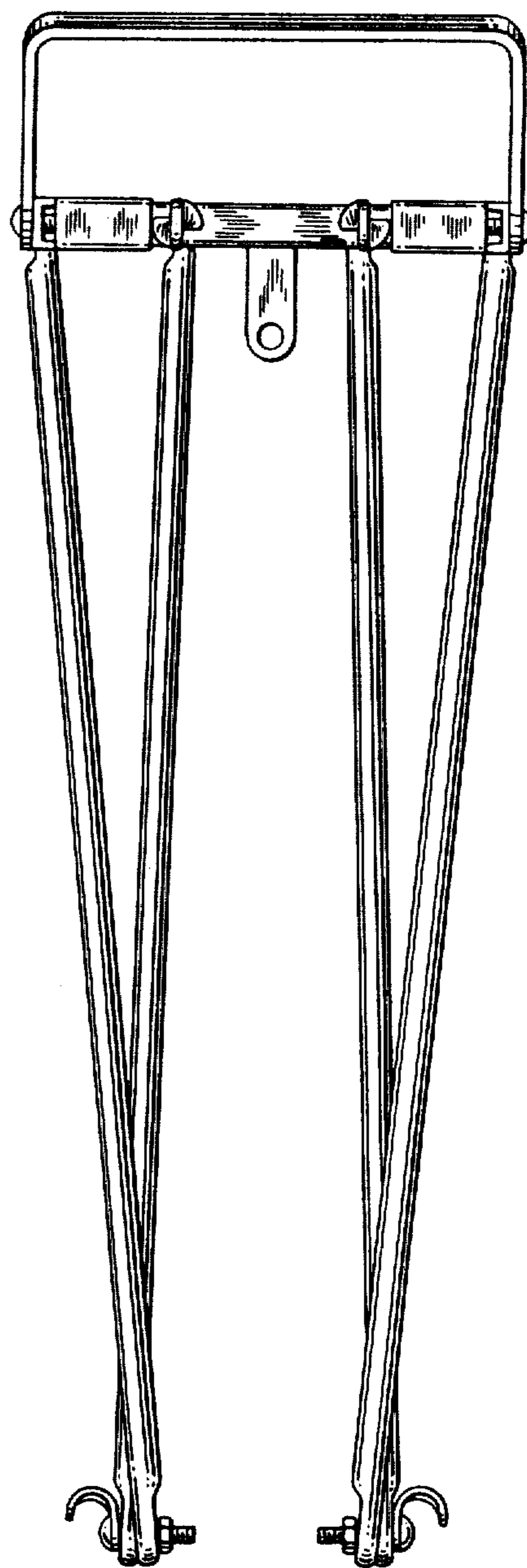


FIG. 4