

[54] BICYCLE MOUNTED CARRYING CASE

[76] Inventor: Dennis L. Ervin, 130 Eastwind St., #6, Marina del Rey, Calif. 90291

[**] Term: 14 Years

[21] Appl. No.: 293,601

[22] Filed: Aug. 17, 1981

[51] Int. Cl. D12-11

[52] U.S. Cl. D12/158

[58] Field of Search D12/158; 224/32 R, 32 A, 224/35

[56] References Cited

U.S. PATENT DOCUMENTS

- D. 209,185 11/1967 Lahti D12/158
- D. 255,345 6/1980 Halter D12/158

OTHER PUBLICATIONS

American Bicyclist & Motorcyclist, 12/74, p. 58, Bicycle Glove Compartment, top left side of page.

Primary Examiner—James M. Gandy
Attorney, Agent, or Firm—Ralph B. Pastoriza

[57] CLAIM

The ornamental design for a bicycle mounted carrying case, substantially as shown and described.

DESCRIPTION

FIG. 1 is a perspective view of a bicycle mounted carrying case showing my new design with a portion of a bicycle frame shown in phantom lines for illustrative purposes only;

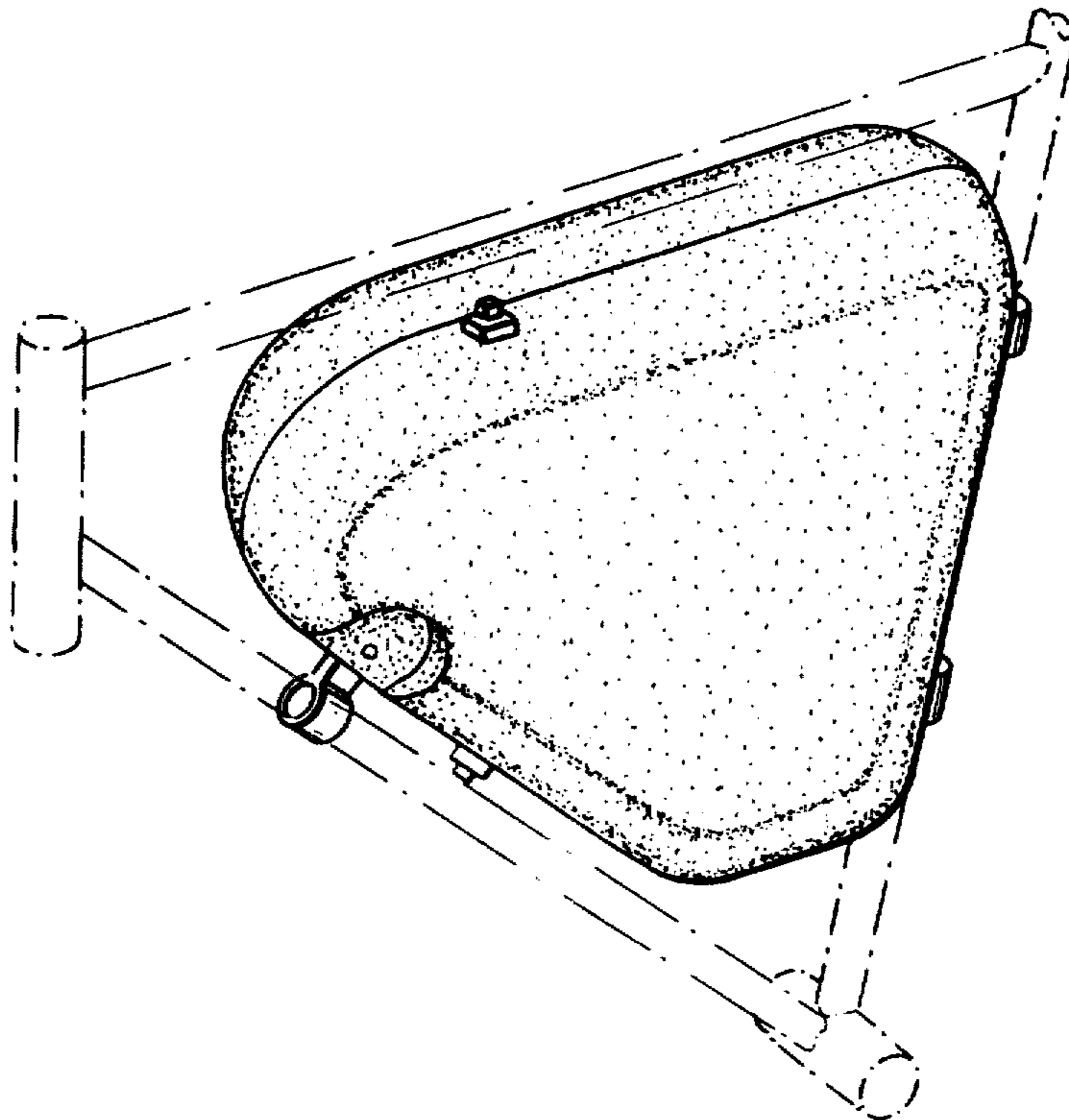
FIG. 2 is a front elevational view thereof;

FIG. 3 is a side elevational view thereof;

FIG. 4 is a rear elevational view thereof;

FIG. 5 is a top plan view thereof; and,

FIG. 6 is a bottom plan view thereof.



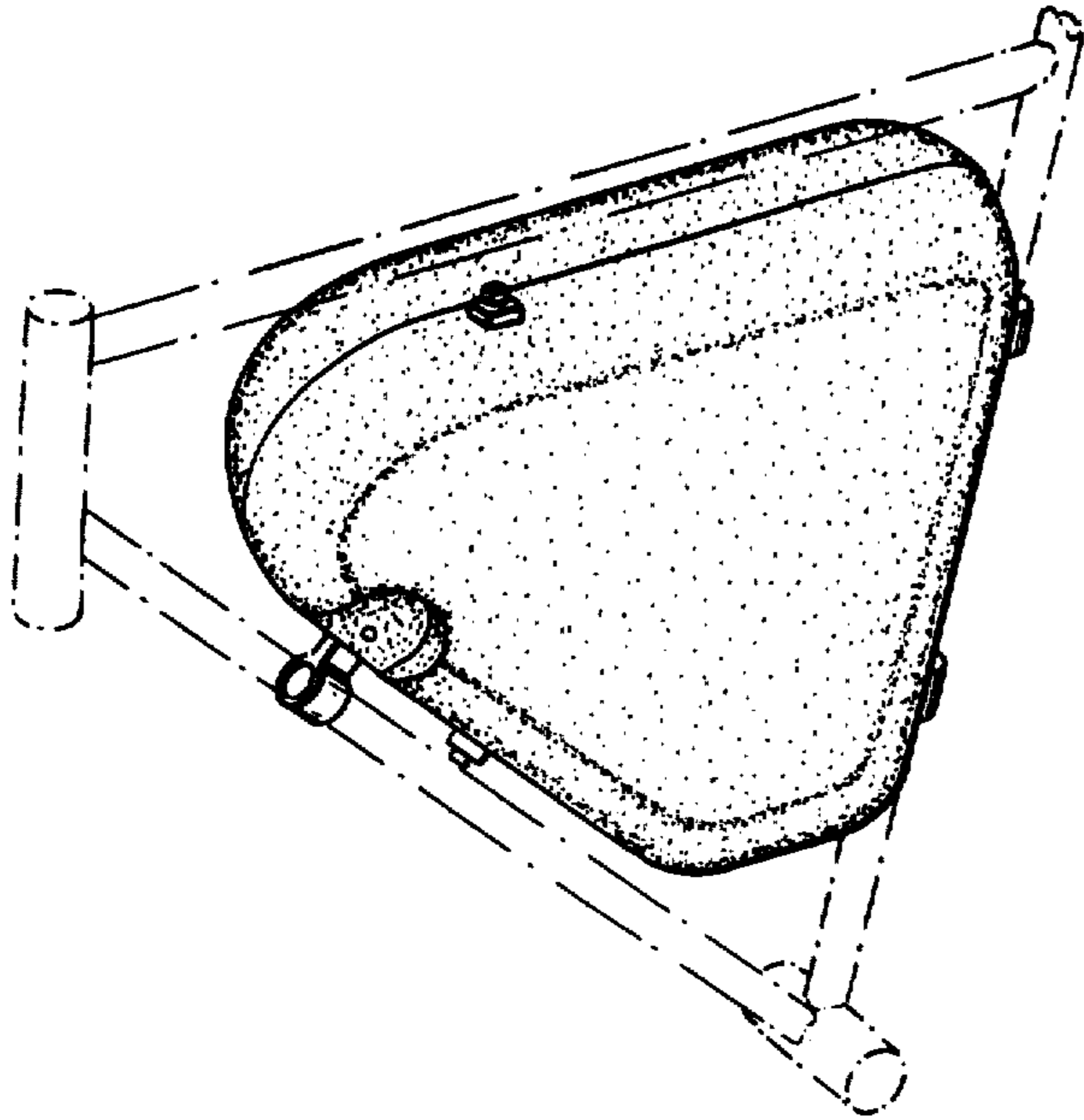


FIG. 1

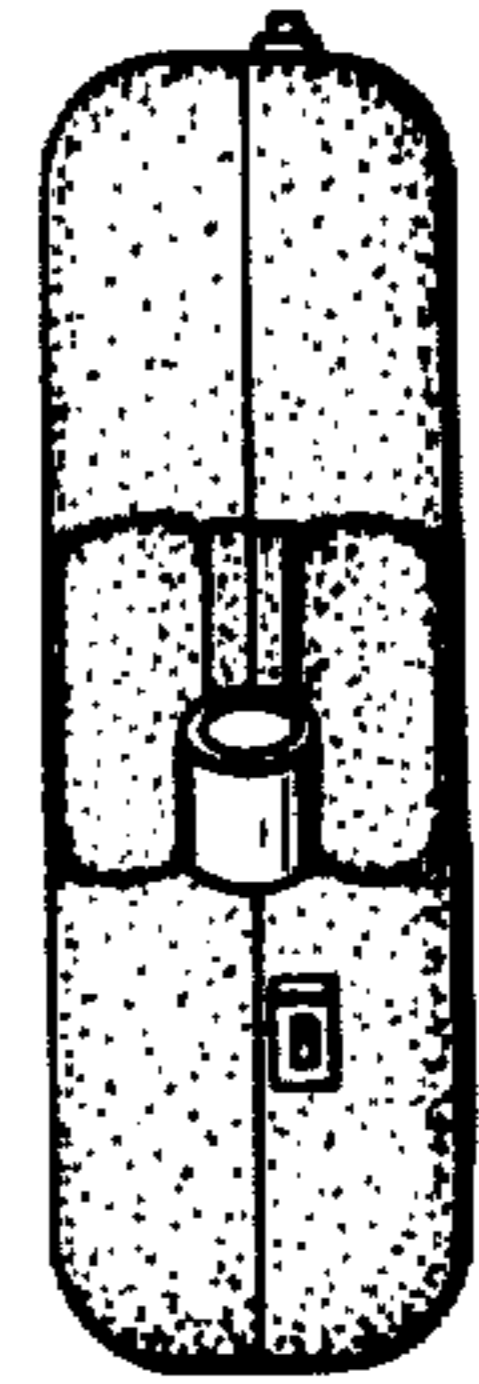


FIG. 2

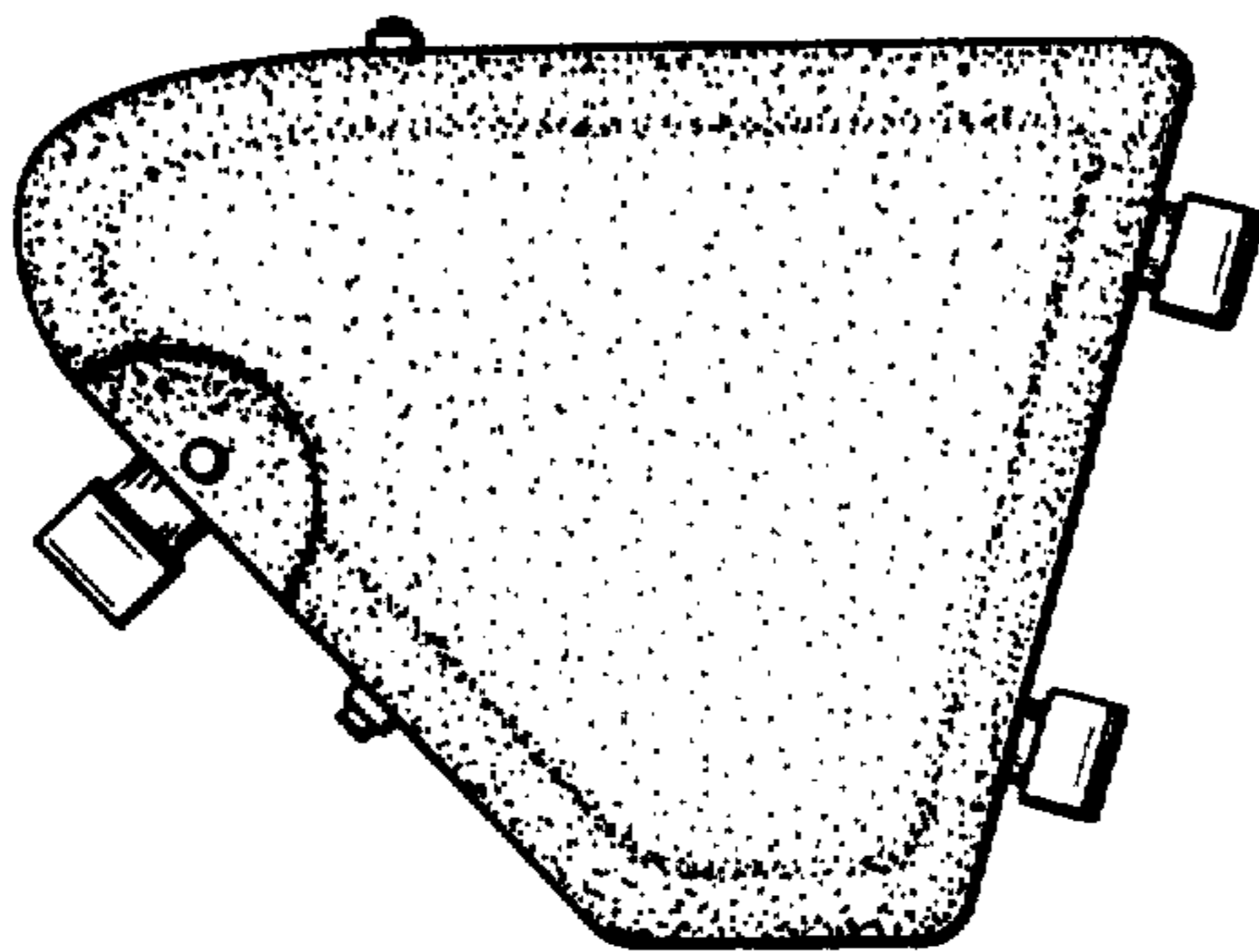


FIG. 3

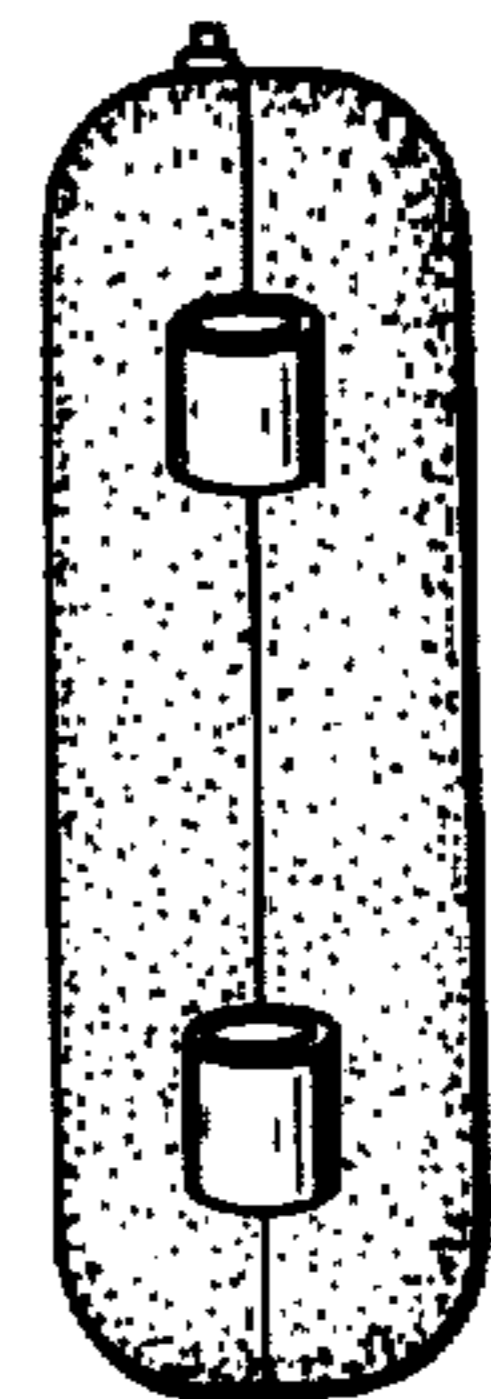


FIG. 4



FIG. 5

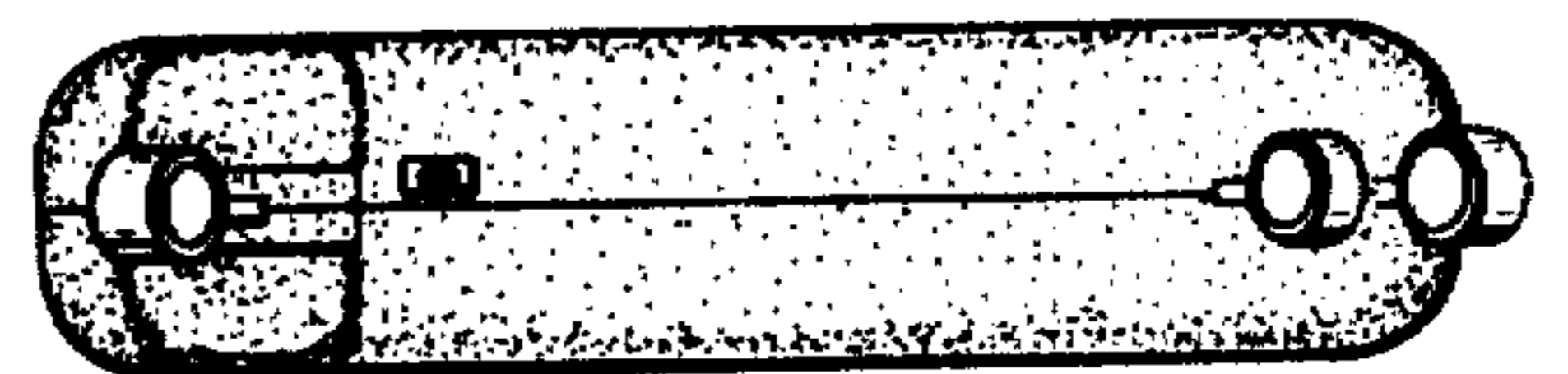


FIG. 6