

[54] TIRE

[75] Inventor: **Jean-Philippe Gorez**, Greenville, S.C.

[73] Assignee: **Compagnie Generale des Etablissements Michelin**, Clermont-Ferrand, France

[**] Term: **14 Years**

[21] Appl. No.: **343,195**

[22] Filed: **Jan. 27, 1982**

[51] Int. Cl. **D12—15**

[52] U.S. Cl. **D12/147**

[58] Field of Search **D12/141-143, D12/146-148; 152/209 R, 209 D, 209 NT, 209 WT**

[56]

References Cited

U.S. PATENT DOCUMENTS

D. 261,384 10/1981 Peron D12/147

OTHER PUBLICATIONS

1980 Tread Design Guide, p. 12, All American Custom H/E Radial Tire, top center of page.

Tread Design Guide, 1981, p. 37, Exxon Steel Belted Radial.

Primary Examiner—James M. Gandy

Attorney, Agent, or Firm—Brumbaugh, Graves, Donohue & Raymond

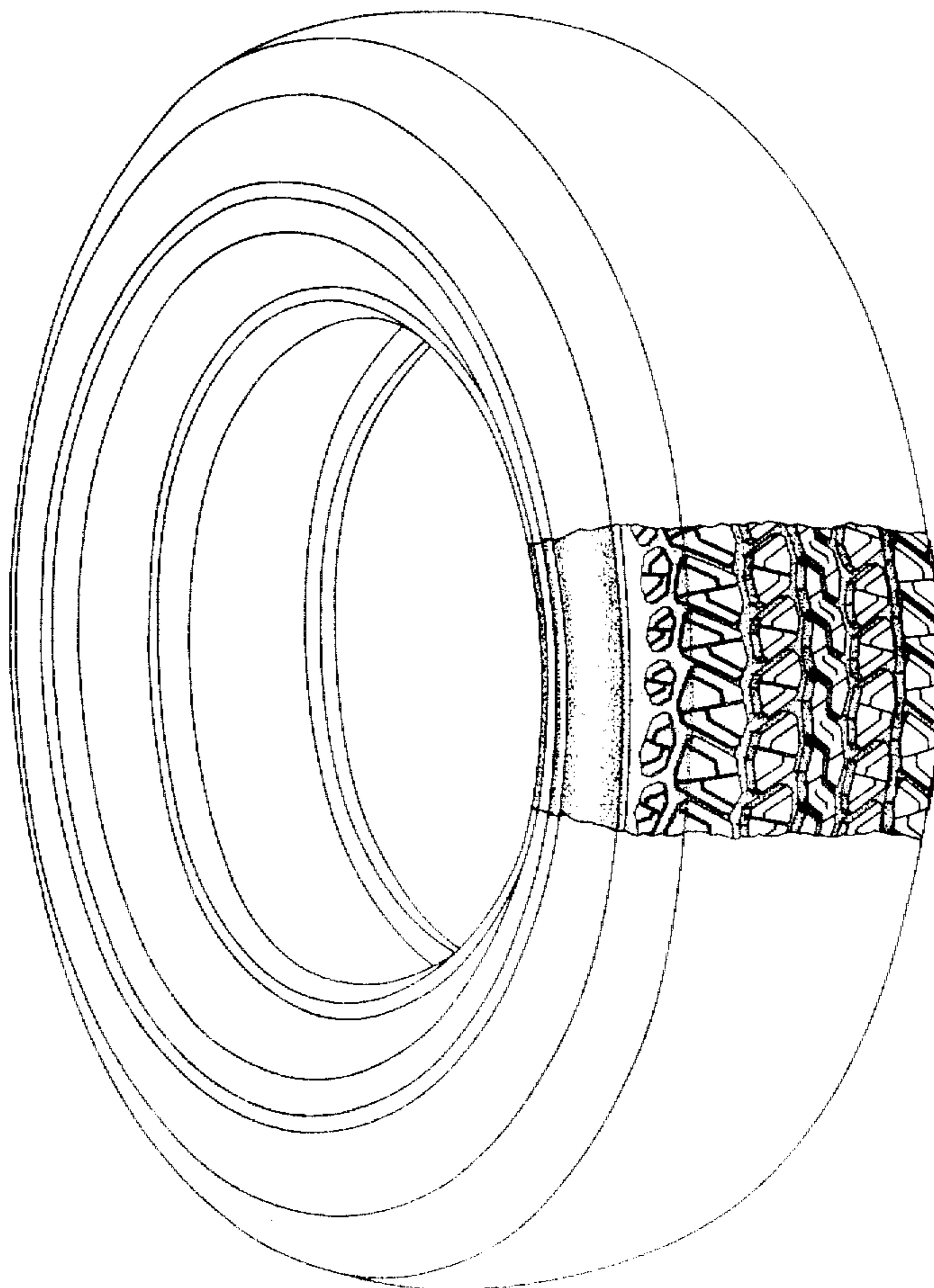
[57]

CLAIM

The ornamental design for a tire, substantially as shown and described.

DESCRIPTION

The FIGURE is a perspective view of a tire showing my new design, it being understood that the tread pattern is repeated throughout the circumference of the tire, as shown schematically by solid lines, the opposite side being substantially the same as that shown.



U.S. Patent

Dec. 13, 1983

Des. 271,756

