

[54] **TIRE**

[75] **Inventor:** **Joel Ricquet**, Clermont-Ferrand,
France

[73] **Assignee:** **Compagnie Generale des
Etablissements Michelin**,
Clermont-Ferrand, France

[**] **Term:** **14 Years**

[21] **Appl. No.:** **319,883**

[22] **Filed:** **Nov. 10, 1981**

[30] **Foreign Application Priority Data**

May 12, 1981 [FR] France 51

[51] **Int. Cl.** **D12—15**

[52] **U.S. Cl.** **D12/147**

[58] **Field of Search** **D12/141-143,
D12/146-148; 152/209 R, 209 D, 209 NT, 209
WT**

[56] **References Cited**

U.S. PATENT DOCUMENTS

D. 253,761 12/1979 De Saint-Michel D12/147

OTHER PUBLICATIONS

1979 Tread Design Guide, p. 127, Alliance Radial Steel
Belted 241, second tire in from top left side of page.

1979 Tread Design Guide, p. 262, Oliver Extra Track
Mud & Snow Tire, bottom left side of page.

Primary Examiner—James M. Gandy

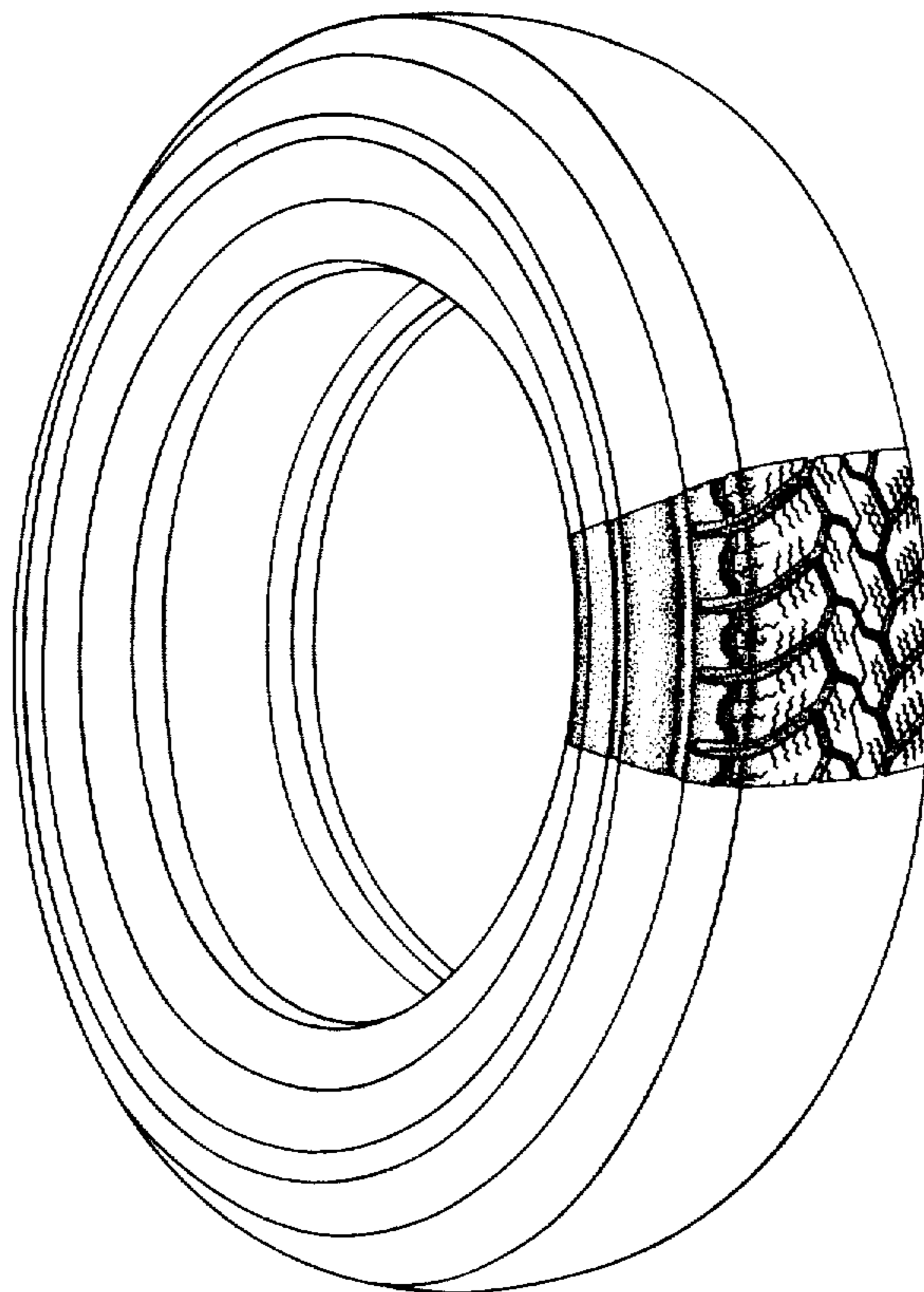
Attorney, Agent, or Firm—Brumbaugh, Graves,
Donohue & Raymond

[57] **CLAIM**

The ornamental design for a tire, substantially as shown
and described.

DESCRIPTION

The FIGURE is a perspective view of a tire showing
my new design, it being understood that the tread pat-
tern is repeated throughout the circumference of the
tire, as shown schematically by solid lines, the opposite
side being substantially the same as that shown.



U.S. Patent

Dec. 13, 1983

Des. 271,755

