

[54] LID MOVEMENT DAMPING DEVICE OR THE LIKE

[75] Inventor: Nobuaki Omata, Hiroshima, Japan

[73] Assignee: Nifco Inc., Yokohama, Japan

[**] Term: 14 Years

[21] Appl. No.: 293,532

[22] Filed: Aug. 17, 1981

[30] Foreign Application Priority Data

Mar. 5, 1981 [JP] Japan 56-8638

[51] Int. Cl. D8-99

[52] U.S. Cl. D8/400; D8/499

[58] Field of Search D8/323, 400, 402, 499; D14/6, 10; 188/290; 16/82, 225, DIG. 9, 58

[56] References Cited

U.S. PATENT DOCUMENTS

3,952,365 4/1976 Grisebach 16/82
4,342,135 8/1982 Matsuo et al. 16/82

Primary Examiner—B. J. Bullock
Attorney, Agent, or Firm—J. R. Halvorsen; T. W. Buckman

[57] CLAIM

The ornamental design for a lid movement damping device or the like, as shown.

DESCRIPTION

FIG. 1 is a top and right front perspective view of a lid movement damping device or the like, showing my new design;

FIG. 2 is a rear elevational view thereof;

FIG. 3 is a front elevational view thereof;

FIG. 4 is a top plan view thereof; and

FIG. 5 is a side elevational view taken from the right of FIG. 1.

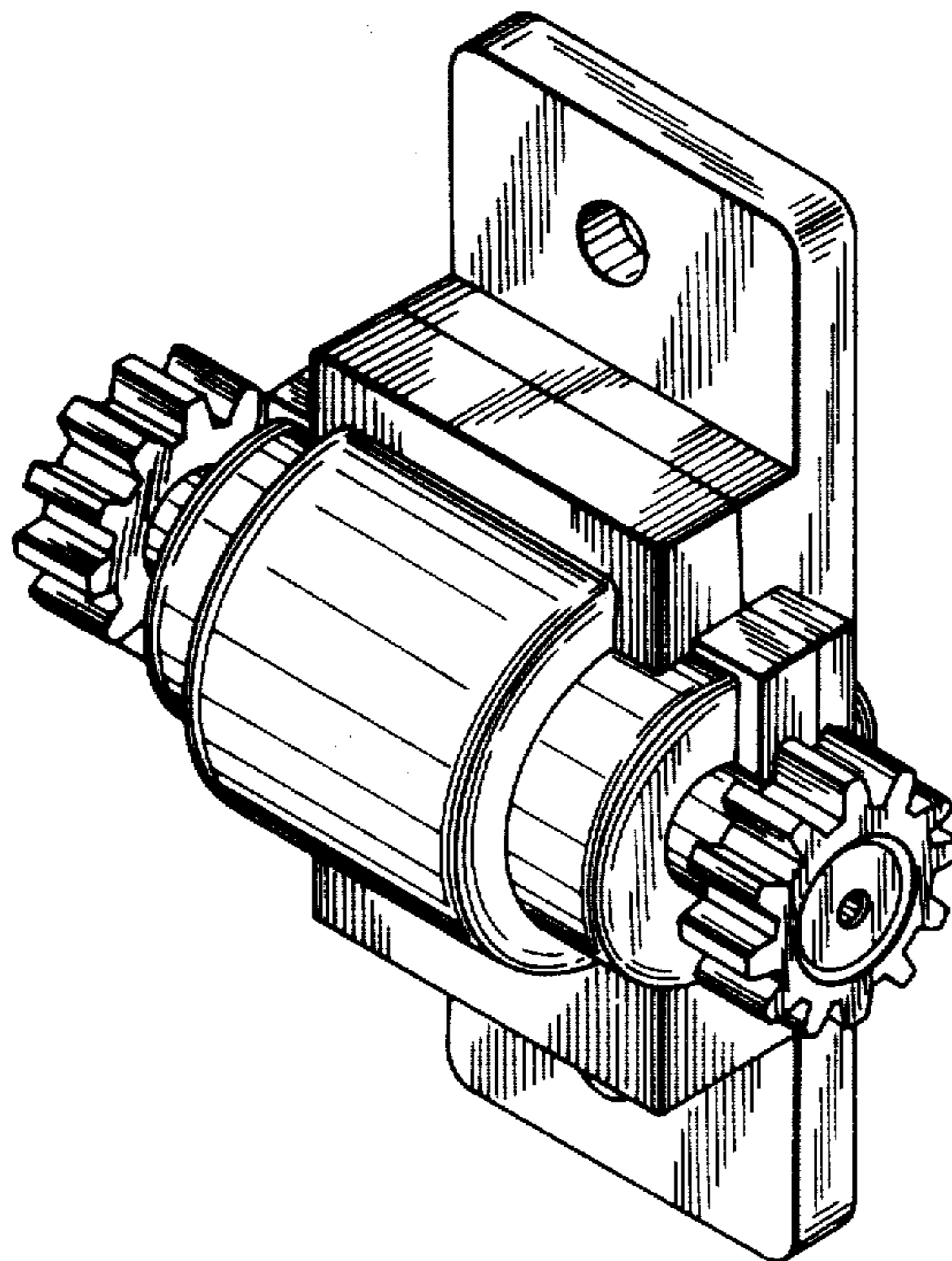


FIG. 1

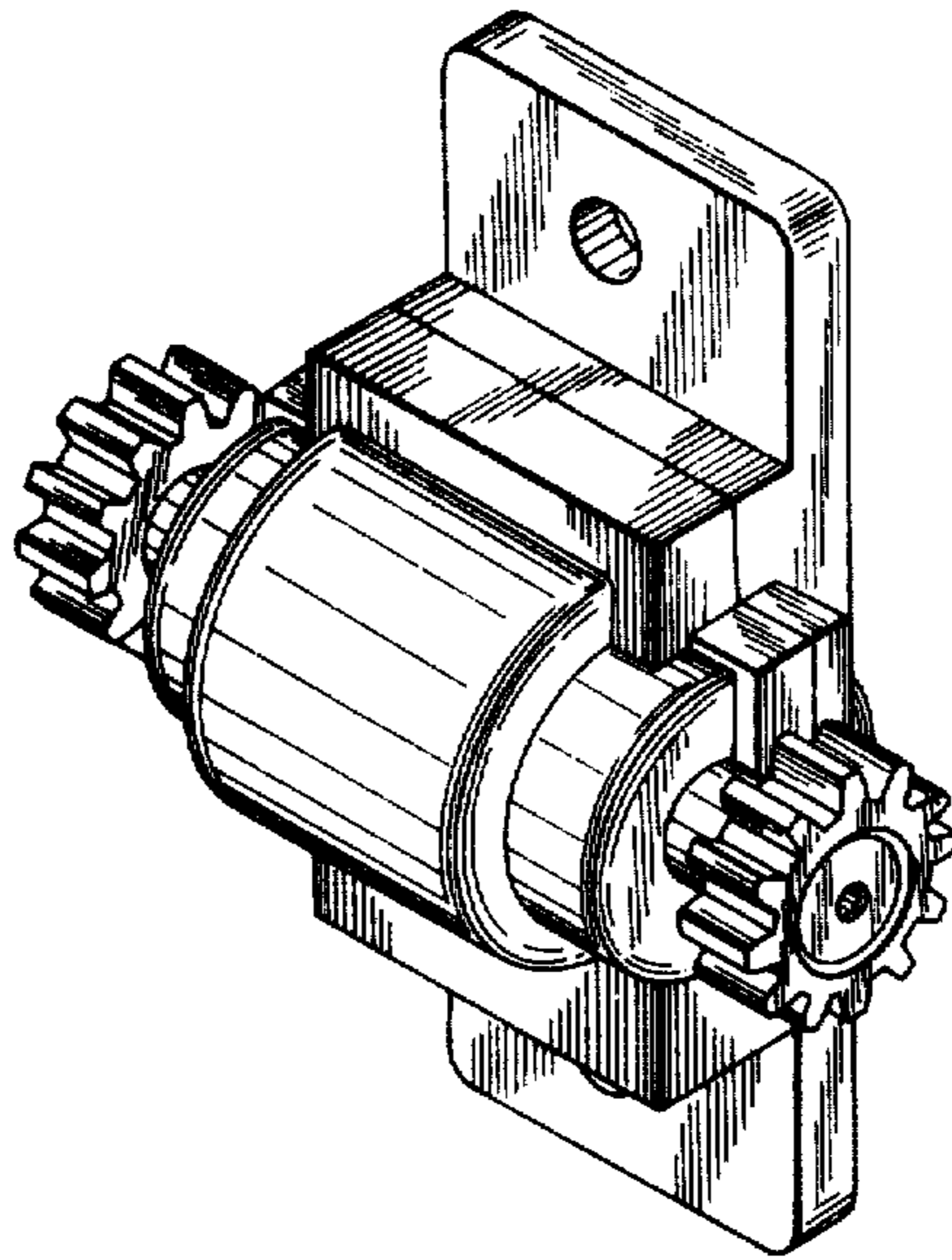


FIG. 2

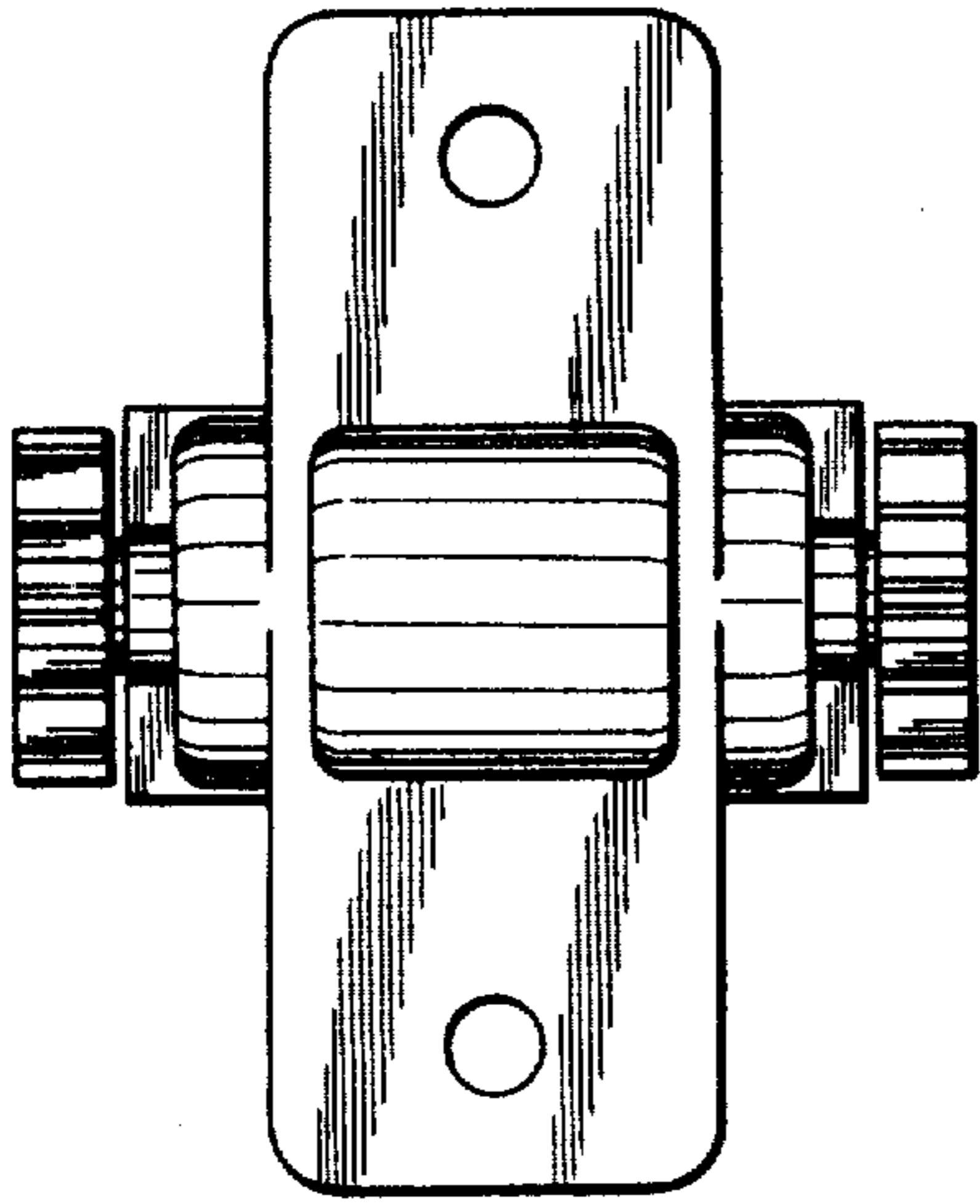


FIG. 3

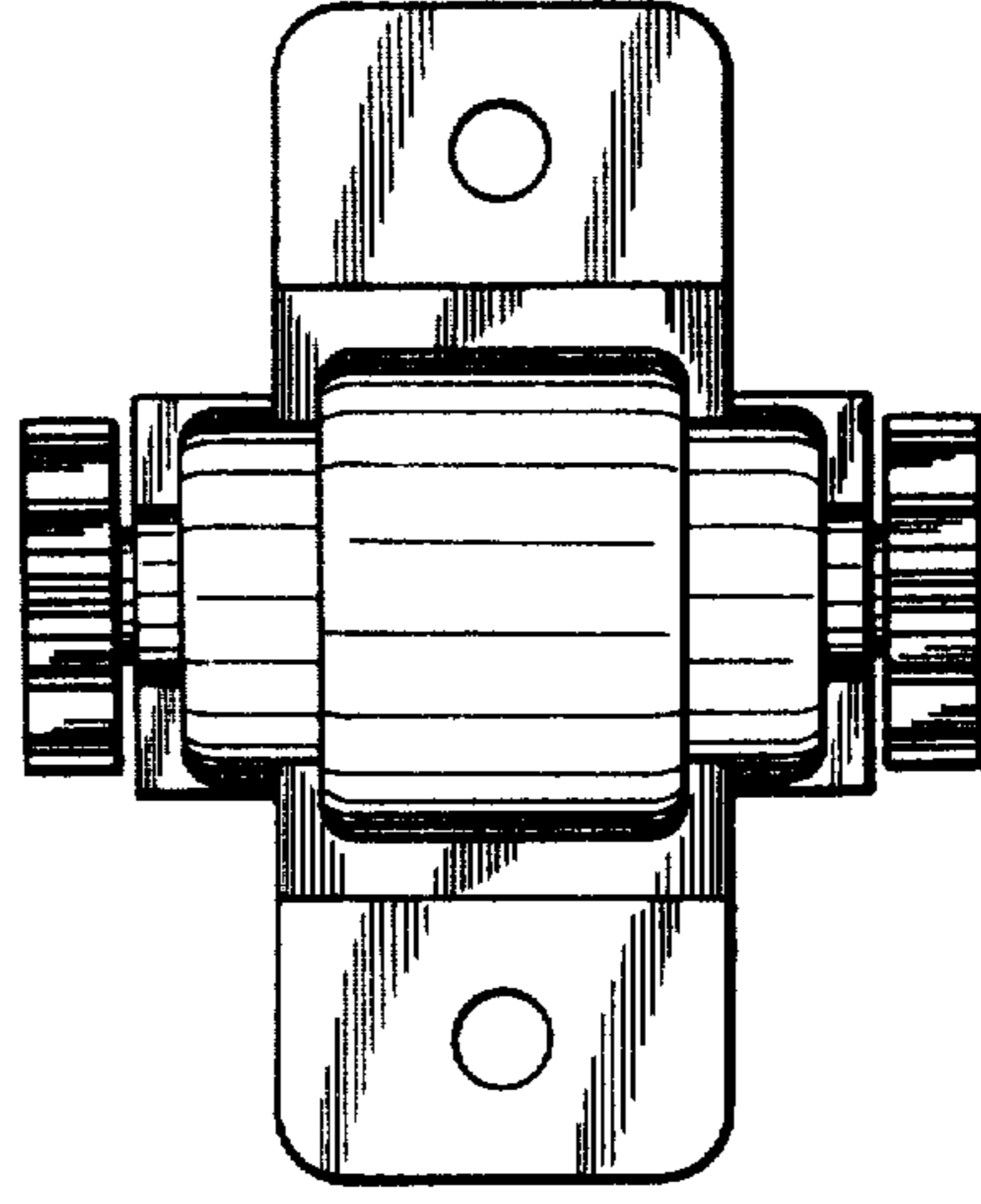


FIG. 4

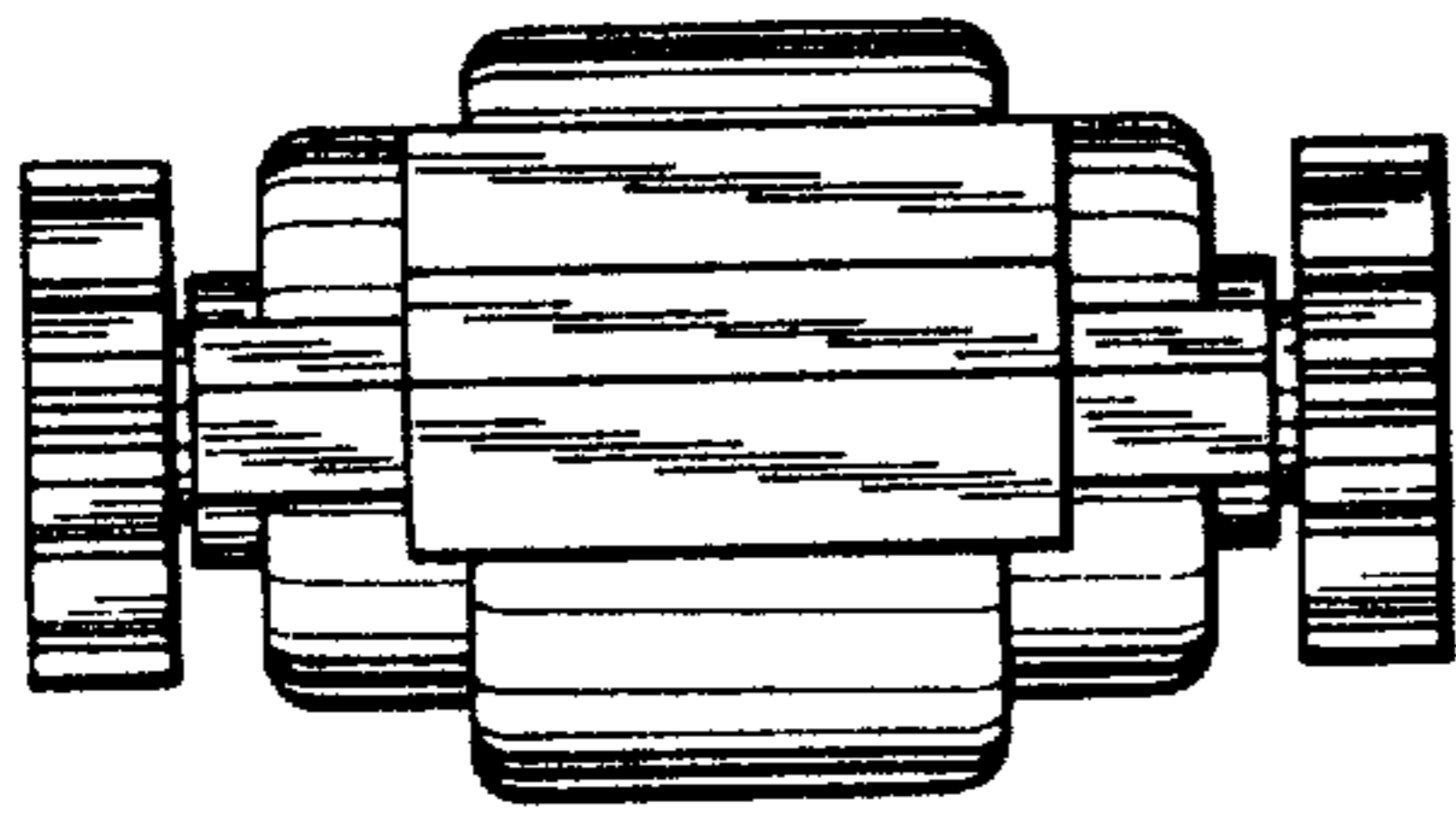


FIG. 5

