

[54] **MOBILE STORAGE UNIT**

[76] **Inventor:** Roger Daventry, Unit 13, 531 Hay St., Subiaco, 6008, Western Australia, Australia

[**] **Term:** 14 Years

[21] **Appl. No.:** 206,942

[22] **Filed:** Nov. 6, 1980

[51] **Int. Cl.** D06—04

[52] **U.S. Cl.** D6/166; D6/169; D6/186; D34/19

[58] **Field of Search** D6/1, 85, 158, 159, D6/160, 164, 165, 166, 167, 168, 169, 170, 181, 186; D34/19, 20; 108/50, 59; 312/194, 195, 250, 204

[56] **References Cited**

U.S. PATENT DOCUMENTS

D. 203,200 12/1965 Klein et al. D34/20
D. 232,166 7/1974 Salsgiver D6/160 X
1,493,434 5/1924 Hensley 312/204 X

OTHER PUBLICATIONS

Jofco Office Master II p. 12; Telephone Cabinet #T3722 bottom right of page.

National Industries Inc. p. 33; "Mobile Drawer Unit" bottom of page.

Primary Examiner—Joel Stearman

Assistant Examiner—Carmen H. Vales

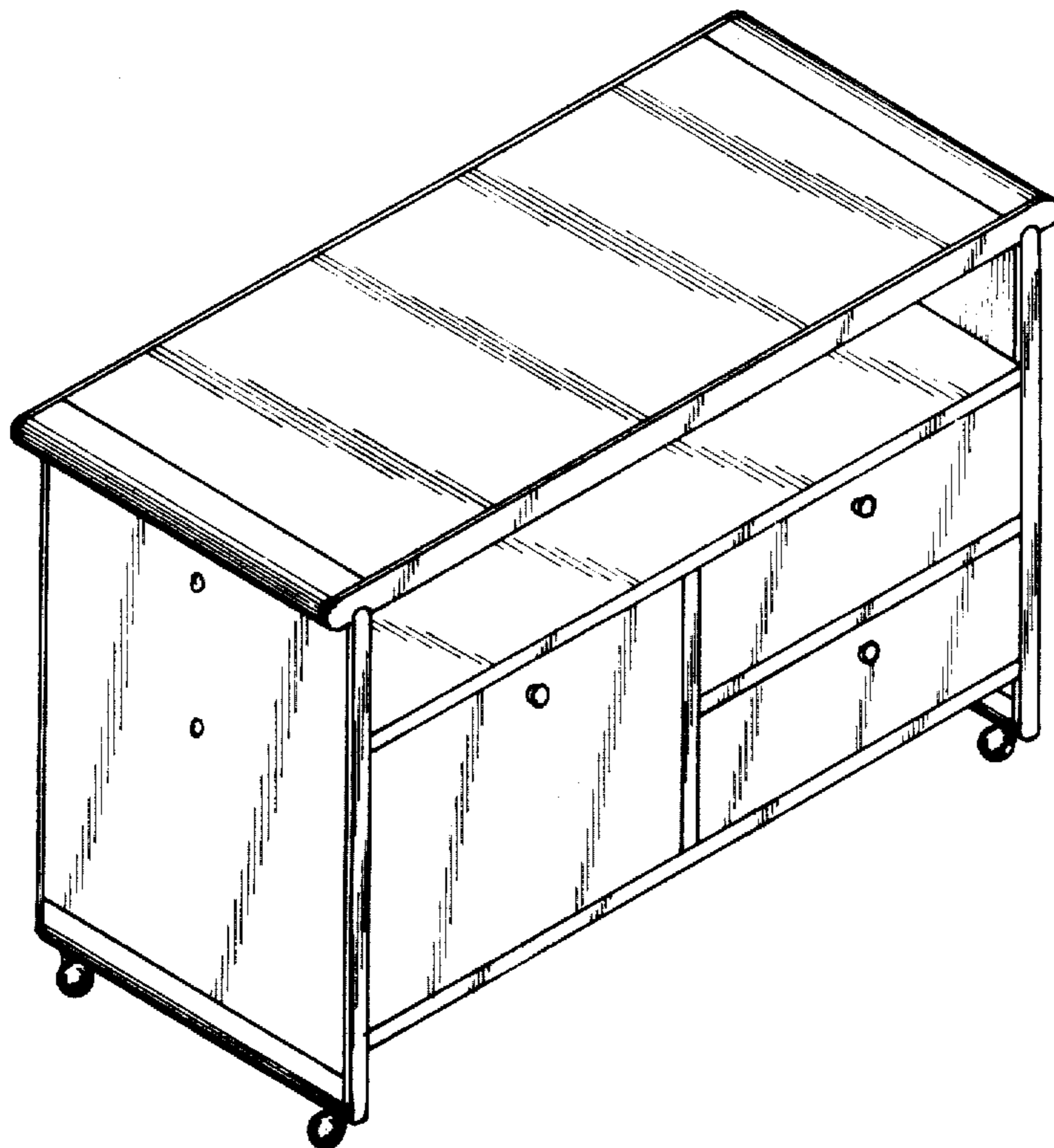
Attorney, Agent, or Firm—Harness, Dickey & Pierce

[57] **CLAIM**

The ornamental design for a mobile storage unit, as shown.

DESCRIPTION

FIG. 1 is a front perspective view of a mobile storage unit showing my new design; and FIG. 2 is a reduced scale rear perspective view thereof.



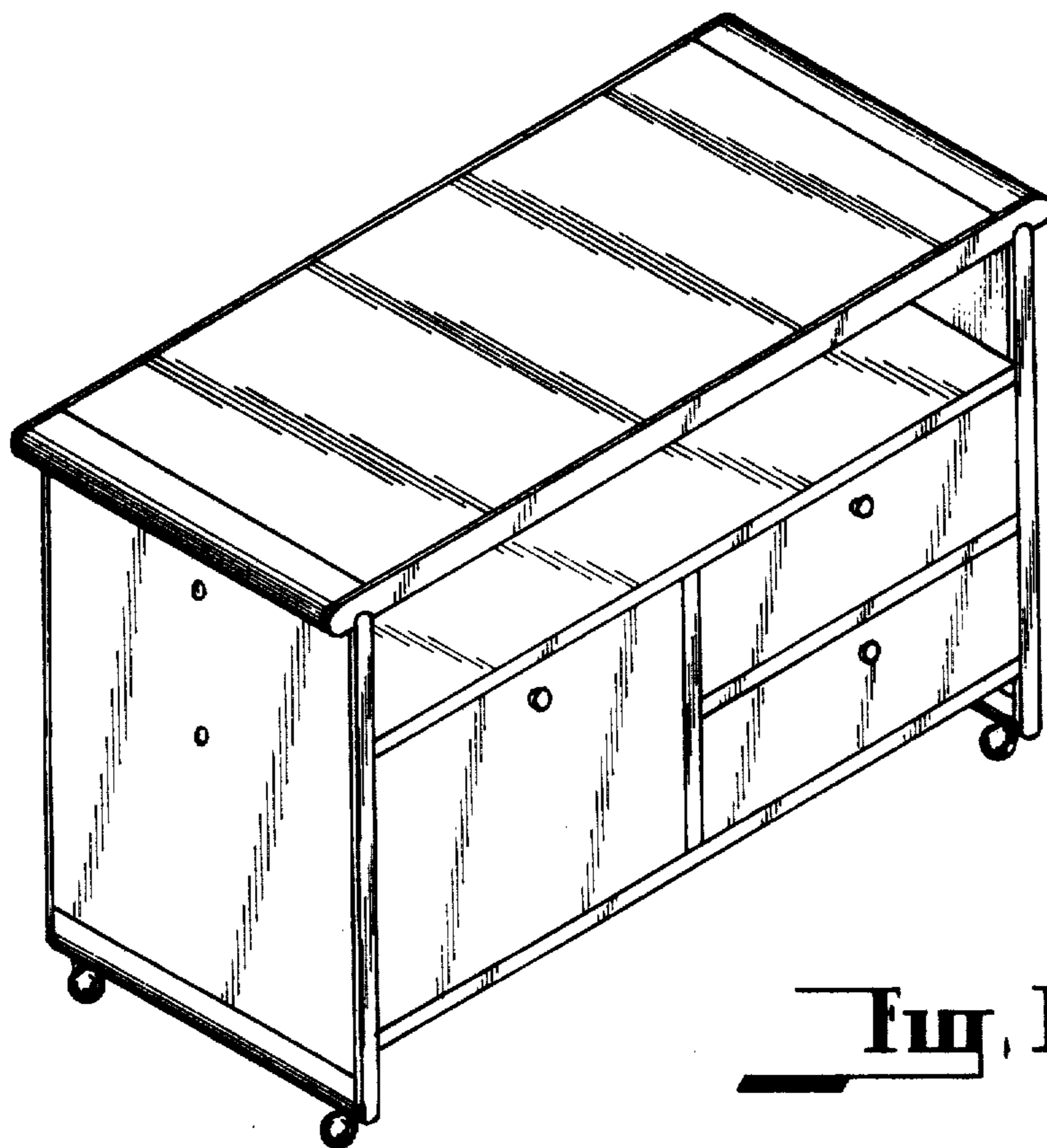


Fig. 1.

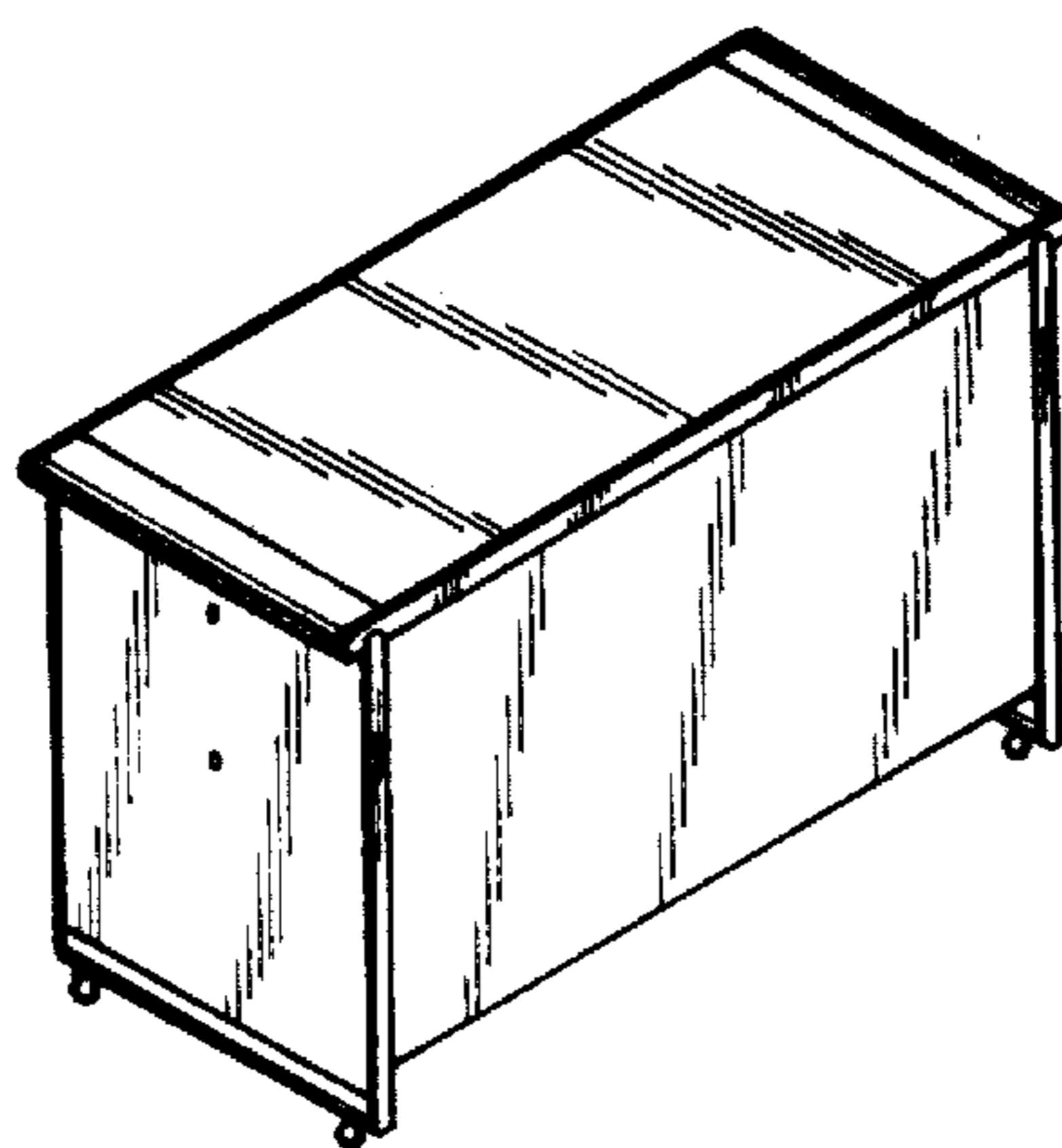


Fig. 2.