

[54] **CHAIR**

[76] **Inventor:** Peter Opsvik, Hoegtunveien 12, 1370 Asker, Norway

[**] **Term:** 14 Years

[21] **Appl. No.:** 298,480

[22] **Filed:** Sep. 1, 1981

[30] **Foreign Application Priority Data**

Mar. 2, 1981 [NO] Norway 61776

[51] **Int. Cl.** D6—01

[52] **U.S. Cl.** D6/17

[58] **Field of Search** D6/17, 20, 47, 27, 30, D6/32-36, 42, 177, 179, 181, 200, 201

[56] **References Cited**

U.S. PATENT DOCUMENTS

D. 158,443	5/1950	Cohan	D6/37
D. 195,457	6/1963	Ingram et al.	D6/17
D. 207,959	6/1967	Gervais	D6/17
D. 262,076	12/1981	Pracon	D6/29
D. 265,441	7/1982	Menashe	D6/17

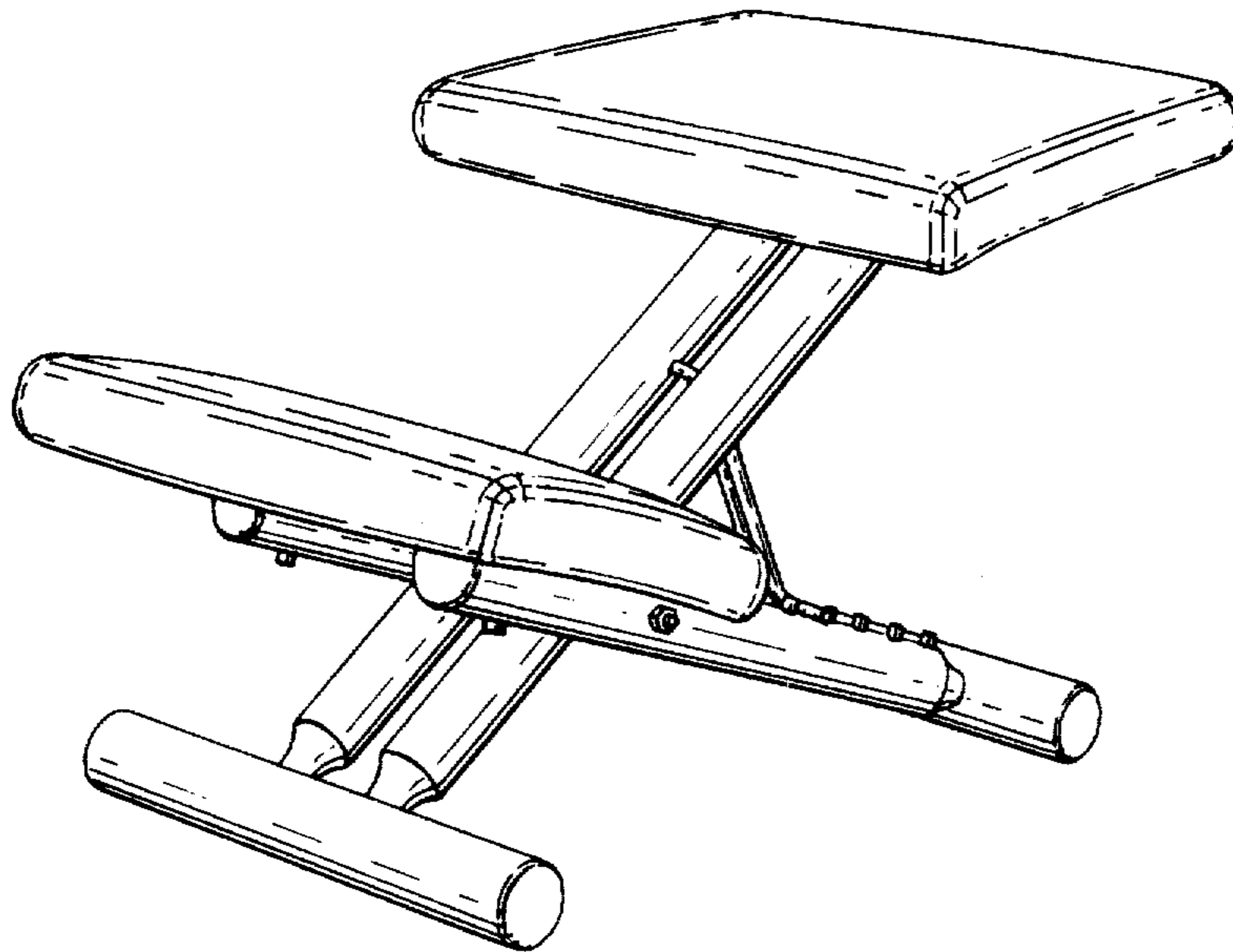
Primary Examiner—Bruce W. Dunkins
Attorney, Agent, or Firm—Darby & Darby

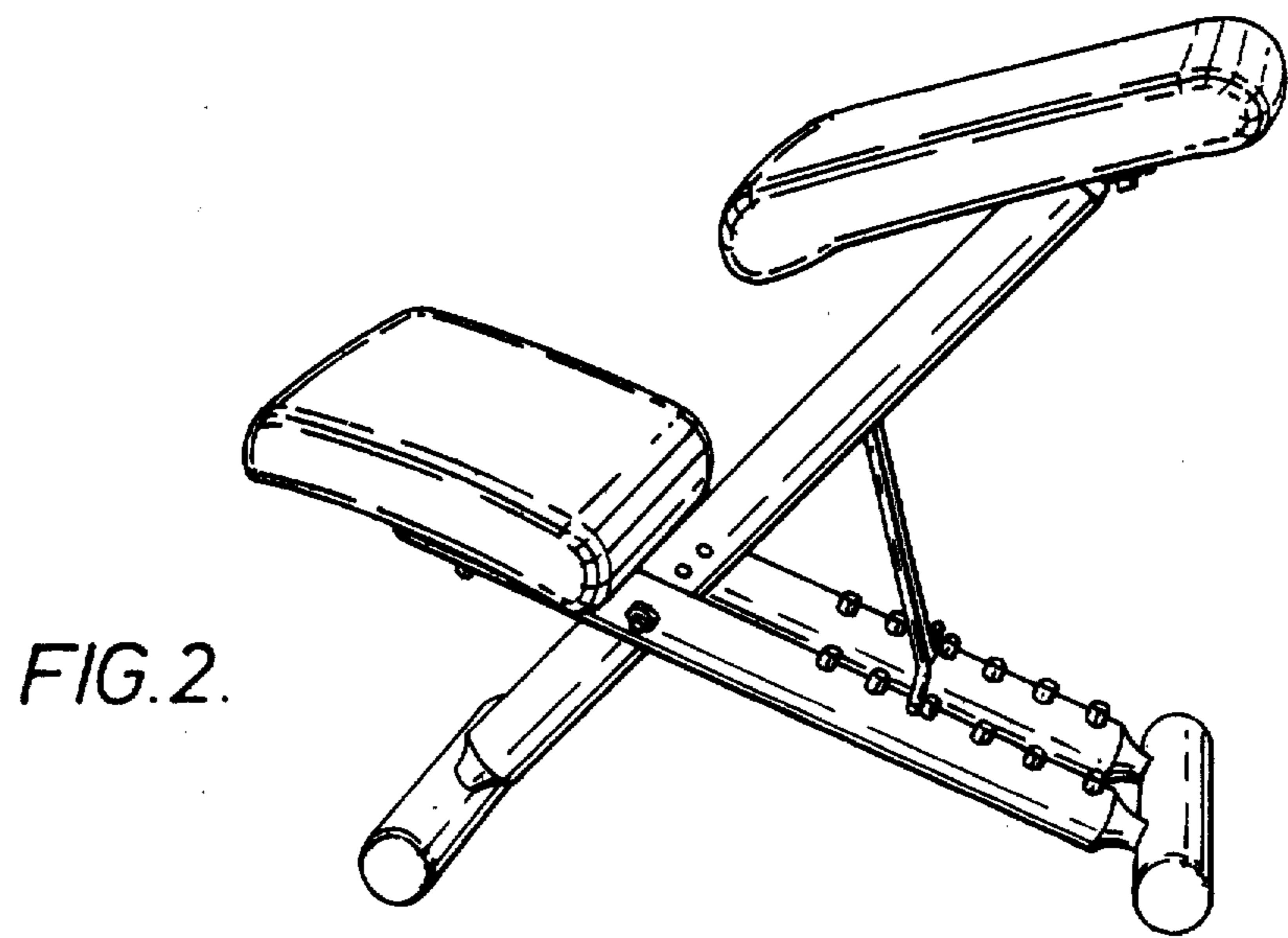
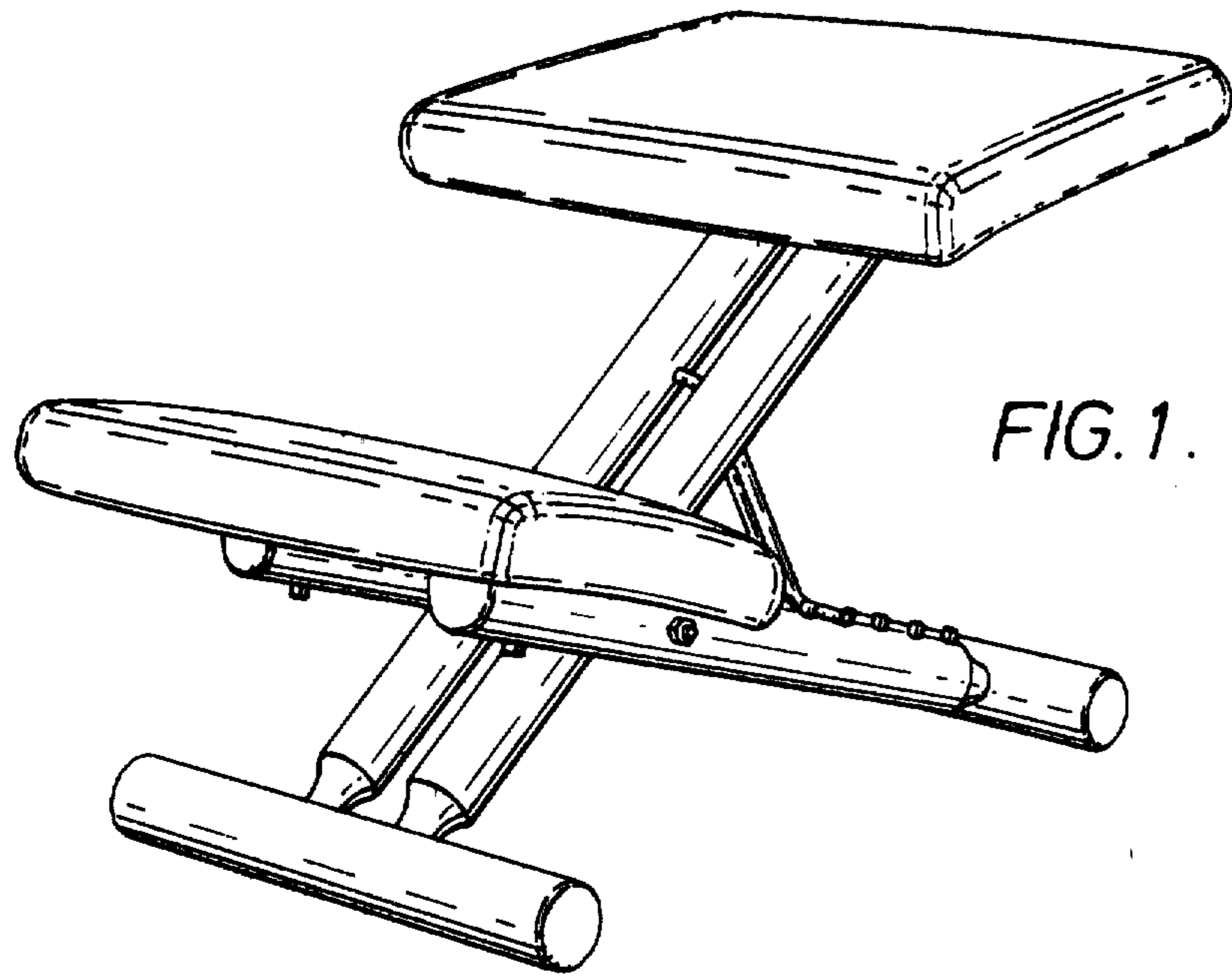
[57] **CLAIM**

The ornamental design for a chair, substantially as shown and described.

DESCRIPTION

FIG. 1 is a front perspective view from above and one side of the chair embodying my new design;
FIG. 2 is a side view of the chair;
FIG. 3 is a rear view of the chair;
FIG. 4 is a front view of the chair;
FIG. 5 is rear perspective view from below of the chair.





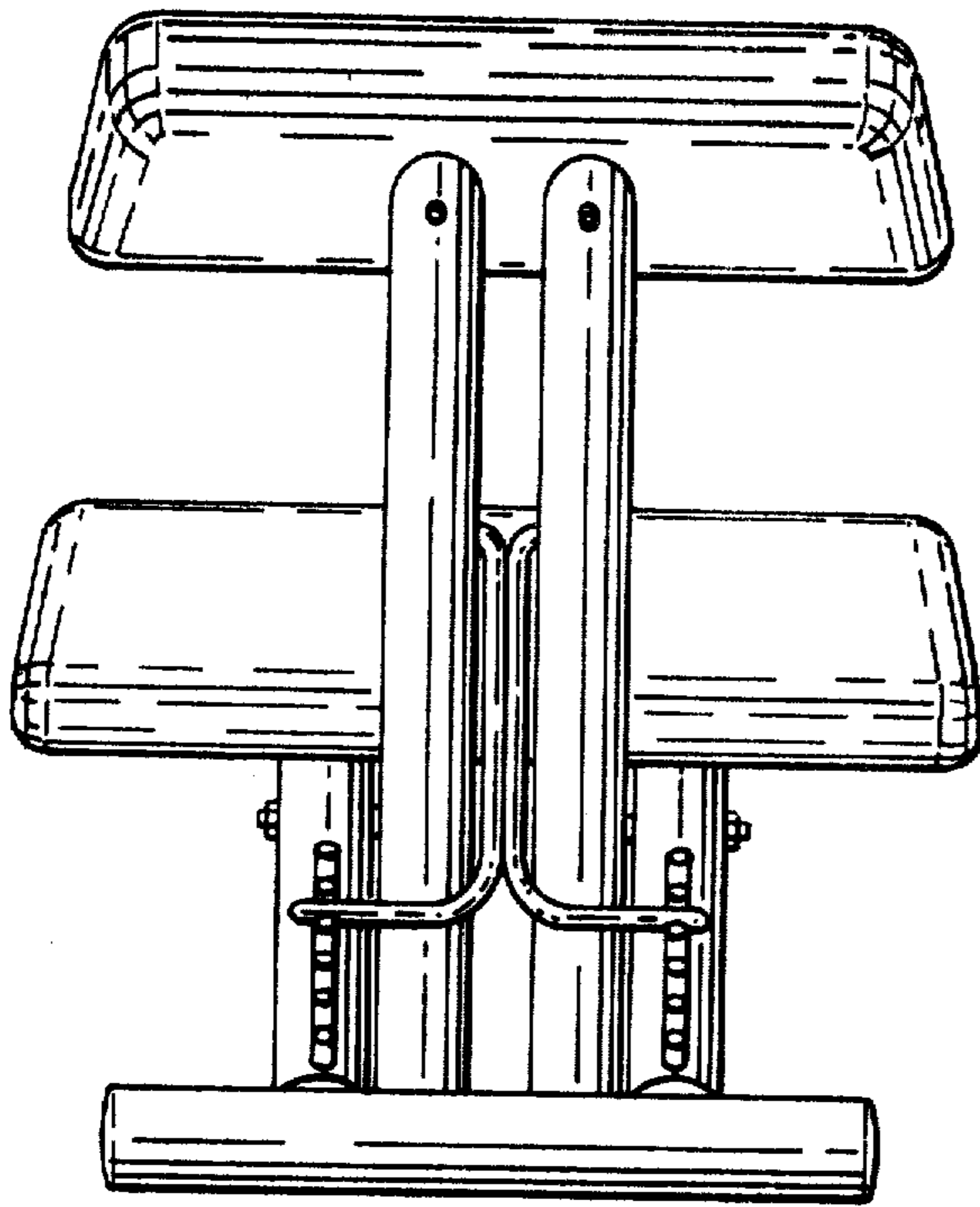


FIG. 3.

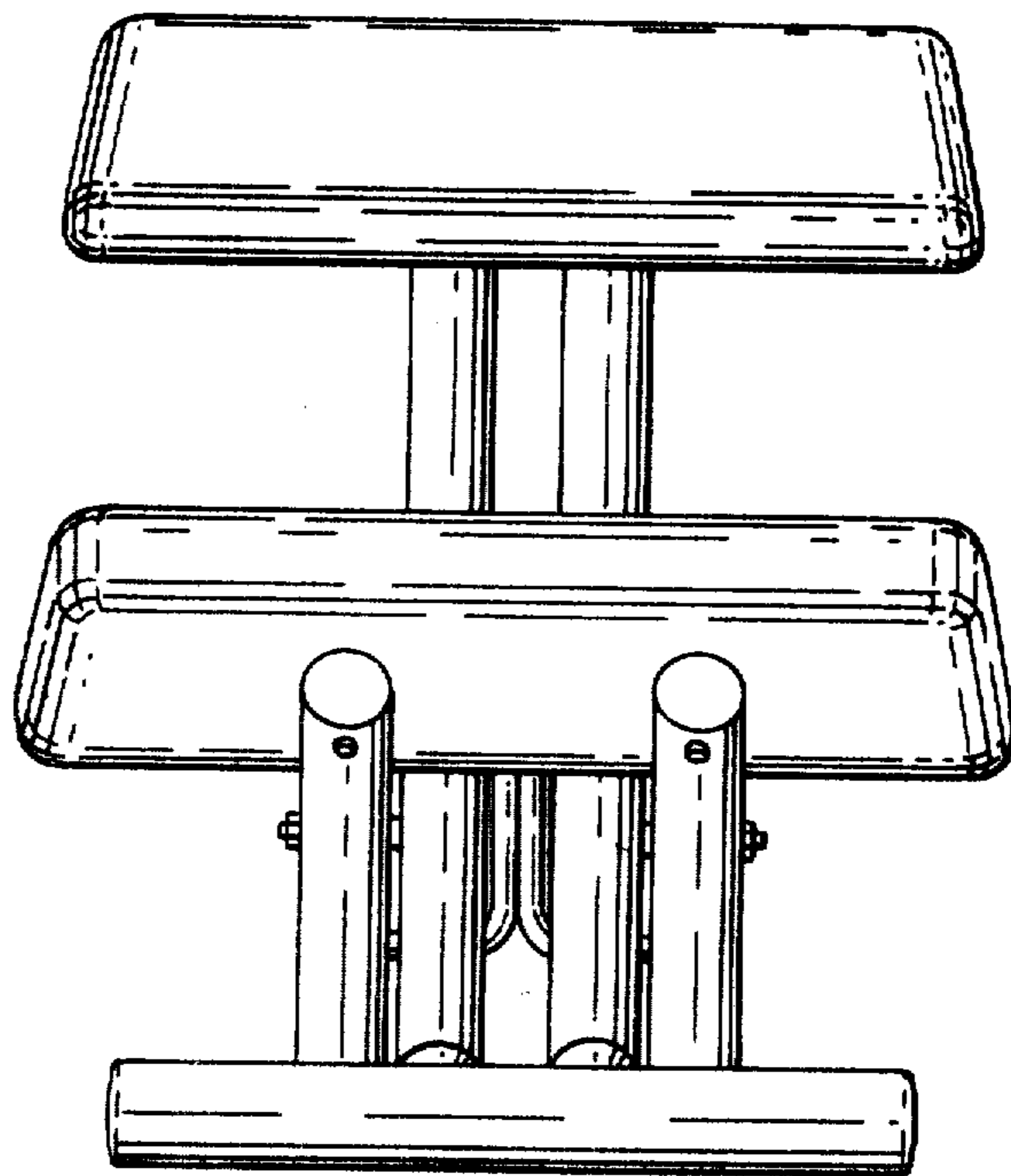


FIG. 4.

FIG. 5.

