

[54] EVAPORATIVE COOLER

[76] Inventors: Kaywood R. Rodgers; Myrtle H. Rodgers, both of 712 E St., Taft, Calif. 93268

[**] Term: 14 Years

[21] Appl. No.: 218,425

[22] Filed: Dec. 19, 1980

[51] Int. Cl. D23-04

[52] U.S. Cl. D23/139; D23/153

[58] Field of Search D23/139-141, D23/151-153; 62/259.4, 304, 314, DIG. 16; 261/29, 106, 8, DIG. 4

[56] References Cited

U.S. PATENT DOCUMENTS

- D. 213,695 4/1969 Soroos D23/139
- D. 227,986 7/1973 Schaffer D23/139

- D. 244,294 5/1977 Glasoe D23/153
- D. 258,757 3/1981 Jordan D23/139
- D. 259,206 5/1981 Parren D23/139
- 1,542,740 6/1925 Spillman D23/153 X
- 4,026,971 5/1977 Glasoe 261/29
- 4,043,777 8/1977 Parren 62/259.4
- 4,094,935 6/1978 Walker et al. 261/DIG. 4 X

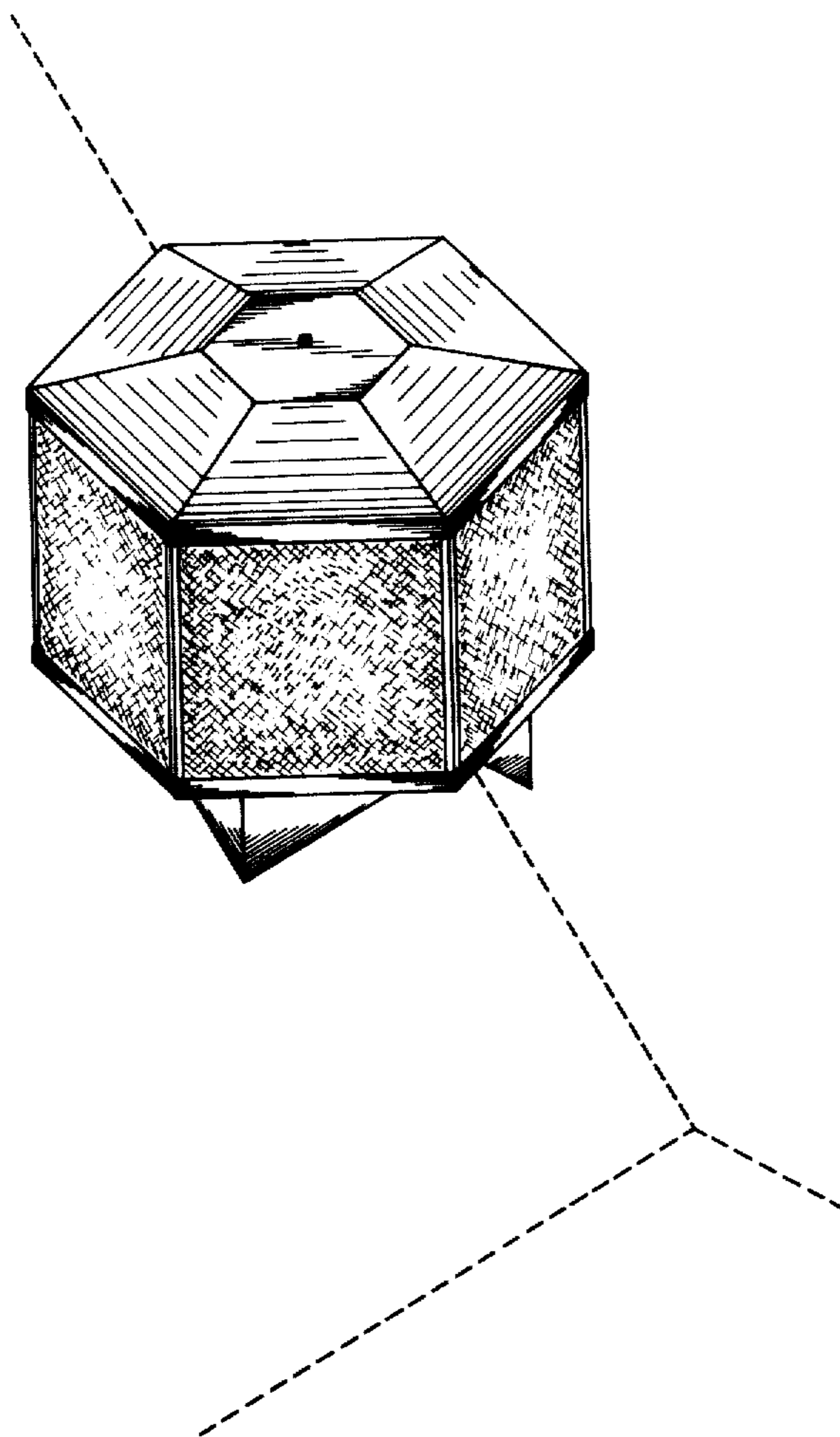
Primary Examiner—James R. Largen
Attorney, Agent, or Firm—Dennis B. Haase

[57] CLAIM

The ornamental design for an evaporative cooler, as shown and described.

DESCRIPTION

FIG. 1 is a perspective view of an evaporative cooler showing our new design; FIG. 2 is a top plan view thereof; and FIG. 3 is a side elevational view thereof. The fragmentary broken line showing of a roof in FIG. 1 is for purposes of illustration only.



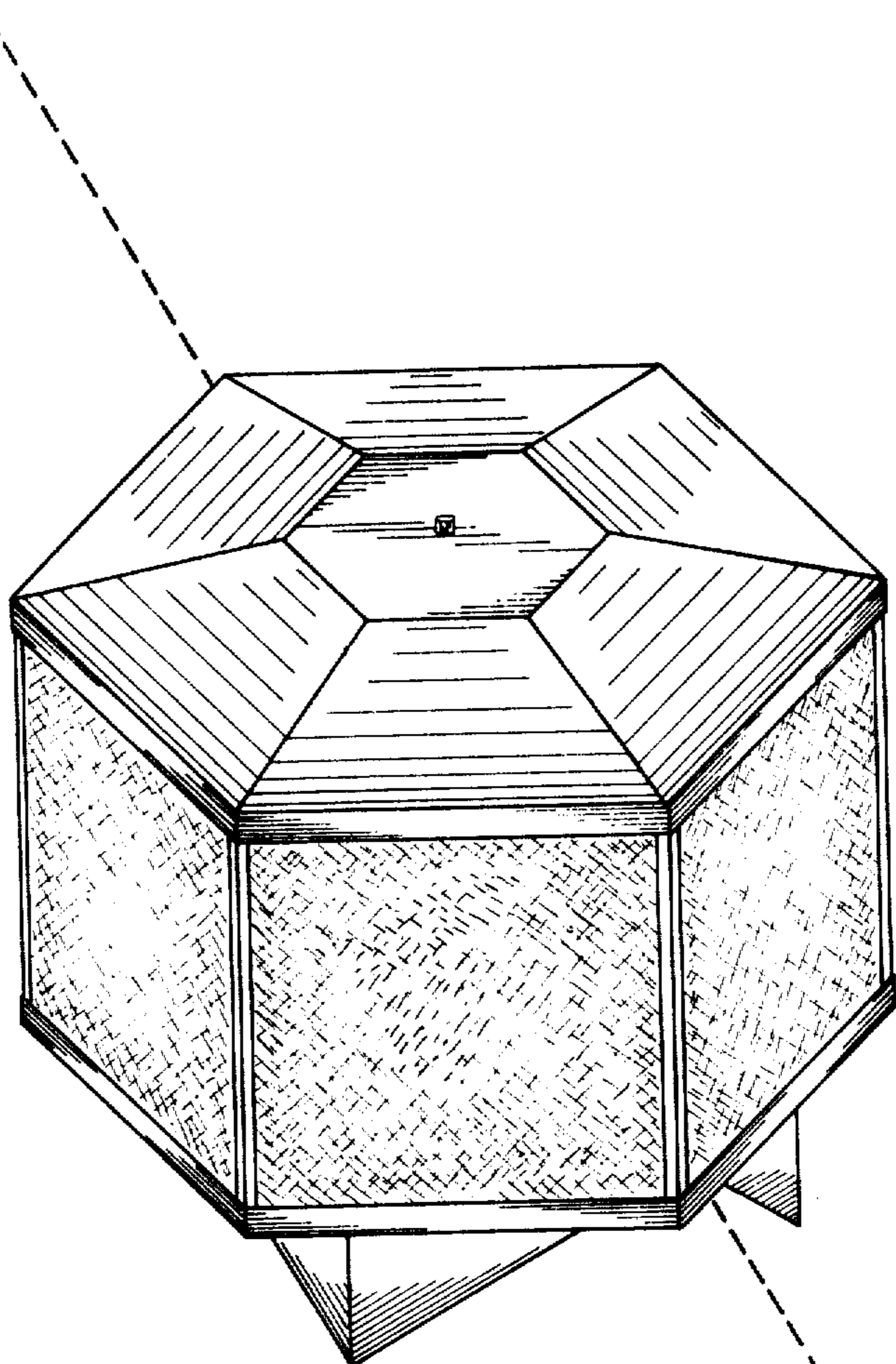


FIG. 1

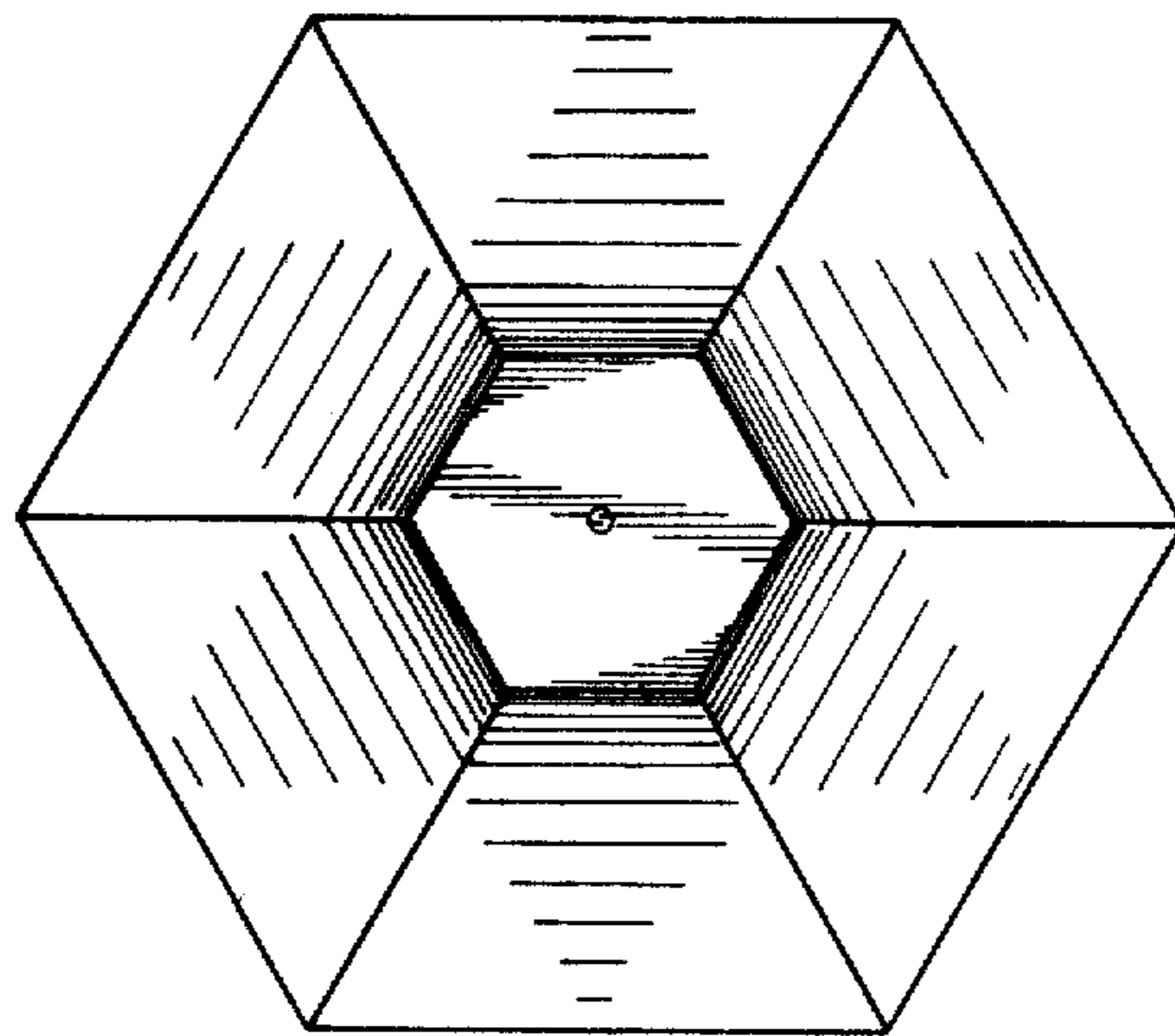


FIG. 2

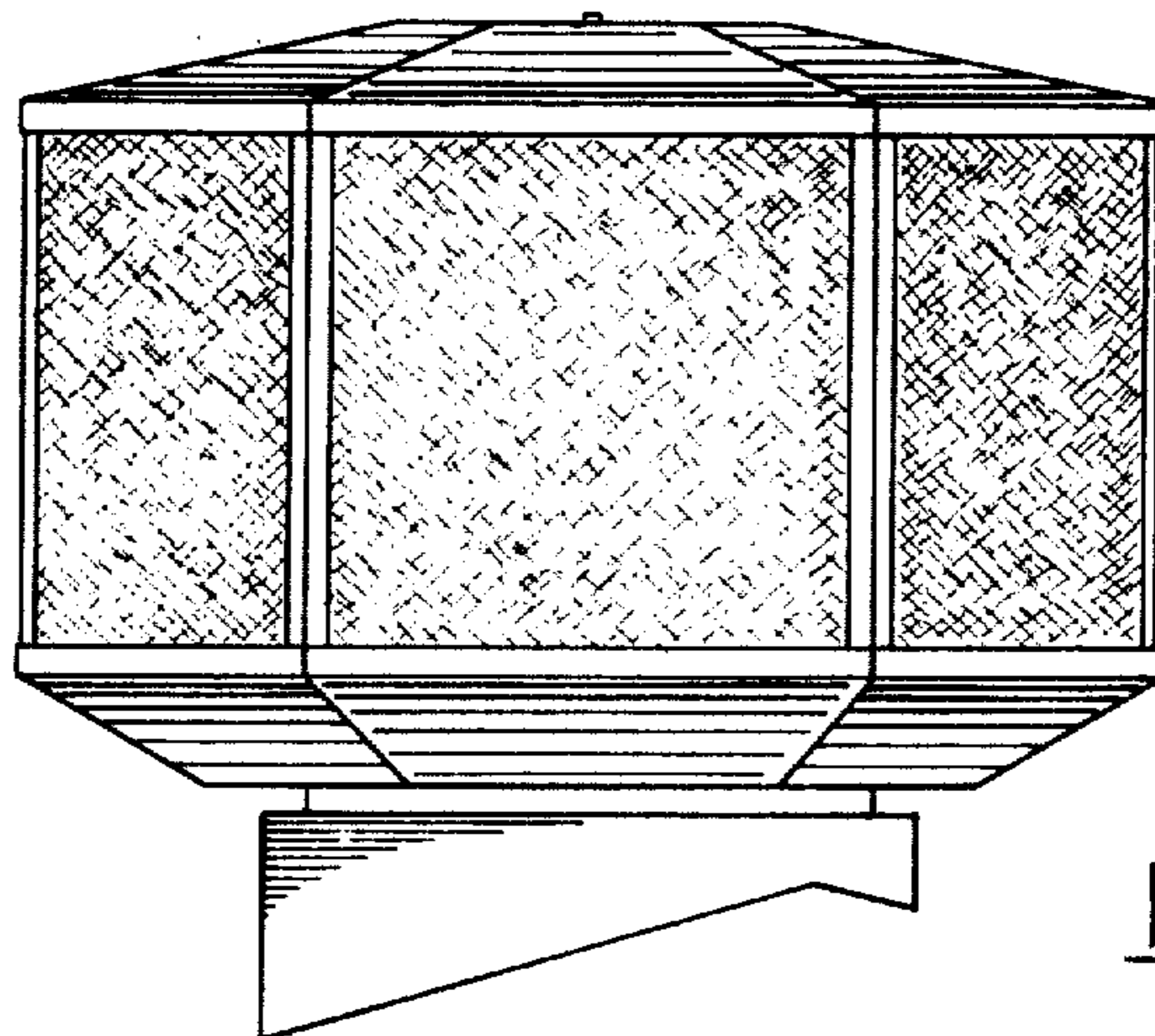


FIG. 3