

[54] **SEWERLESS TOILET OR SIMILAR ARTICLE**

[75] Inventors: **Kenneth J. DeGraw, Montvale; Earl W. Nickerson, Ocean City, both of N.J.**

[73] Assignee: **American Standard Inc., New York, N.Y.**

[**] Term: **14 Years**

[21] Appl. No.: **320,268**

[22] Filed: **Nov. 12, 1981**

[51] Int. Cl. **D23-02**

[52] U.S. Cl. **D23/48; D23/65**

[58] Field of Search **D23/48, 65-67; 4/317-323, 449, 459, 460, 474-476, 479, DIG. 12**

[56] **References Cited**

U.S. PATENT DOCUMENTS

- D. 193,169 7/1962 Wood D23/48
- D. 222,060 9/1971 Quintana D23/48

- D. 241,845 10/1976 Shamsio D23/48
- D. 247,913 5/1978 Whitney et al. D23/65
- 3,577,568 5/1971 Johanson et al. 4/317
- 3,593,345 7/1971 Wells 4/317 X
- 3,846,847 11/1974 Tufts et al. 4/317 X
- 3,882,552 5/1975 Turner 4/321 X
- 4,215,445 8/1980 Antos et al. 4/323
- 4,310,934 1/1982 Hennessey et al. 4/321
- 4,313,234 2/1982 Stewart 4/449

Primary Examiner—James R. Largen
Attorney, Agent, or Firm—James J. Salerno, Jr.; Robert G. Crooks; John P. Sinnott

[57] **CLAIM**

The ornamental design for a sewerless toilet or similar article, substantially as shown and described.

DESCRIPTION

FIG. 1 is a right side elevational view of a sewerless toilet embodying our design;
 FIG. 2 is a front elevational view thereof;
 FIG. 3 is a top plan view thereof;
 FIG. 4 is a rear elevational view thereof;
 FIG. 5 is a bottom plan view thereof; and
 FIG. 6 is a left side elevational view thereof.

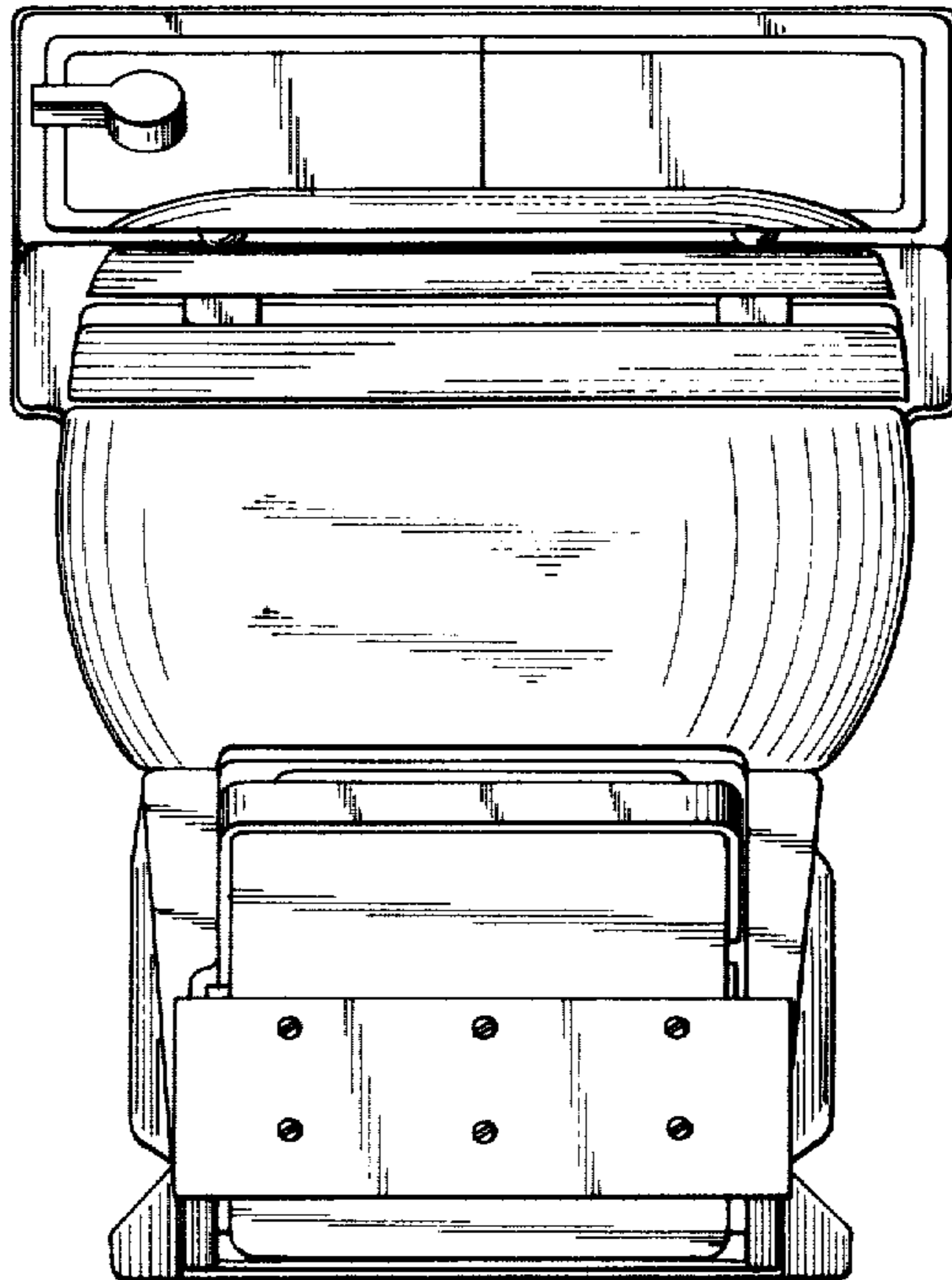


FIG. 1

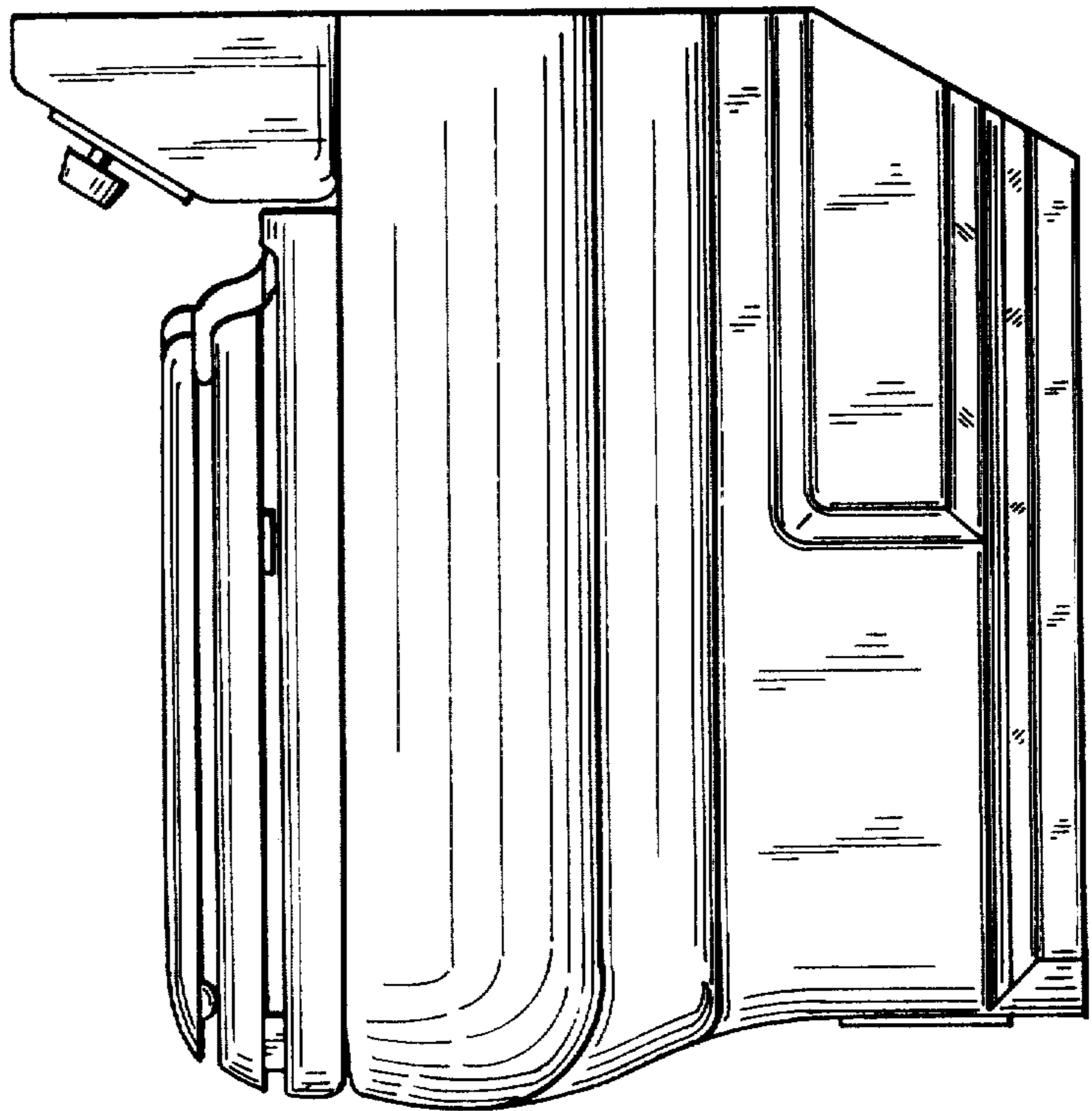


FIG. 2

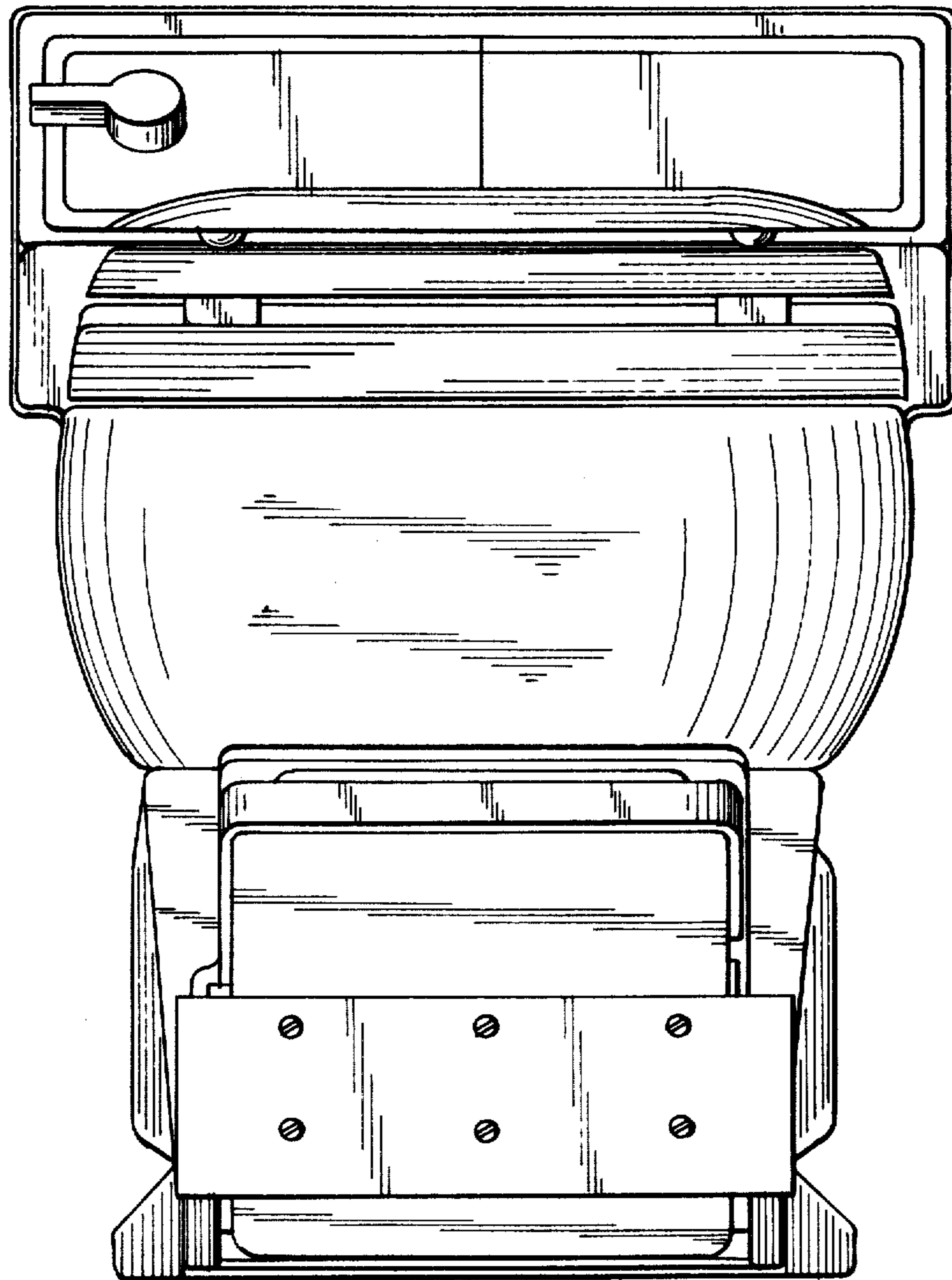


FIG. 3

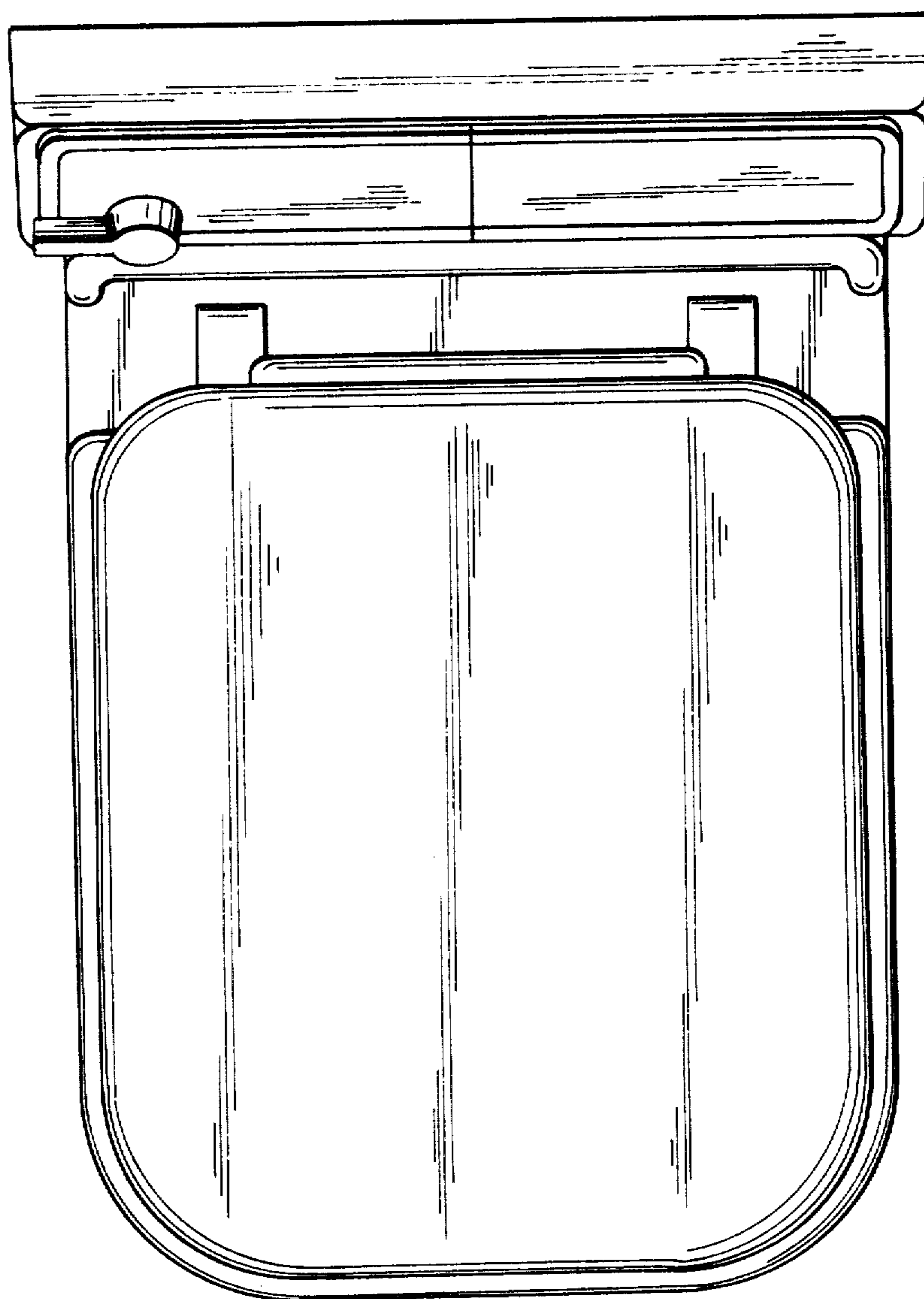


FIG. 4

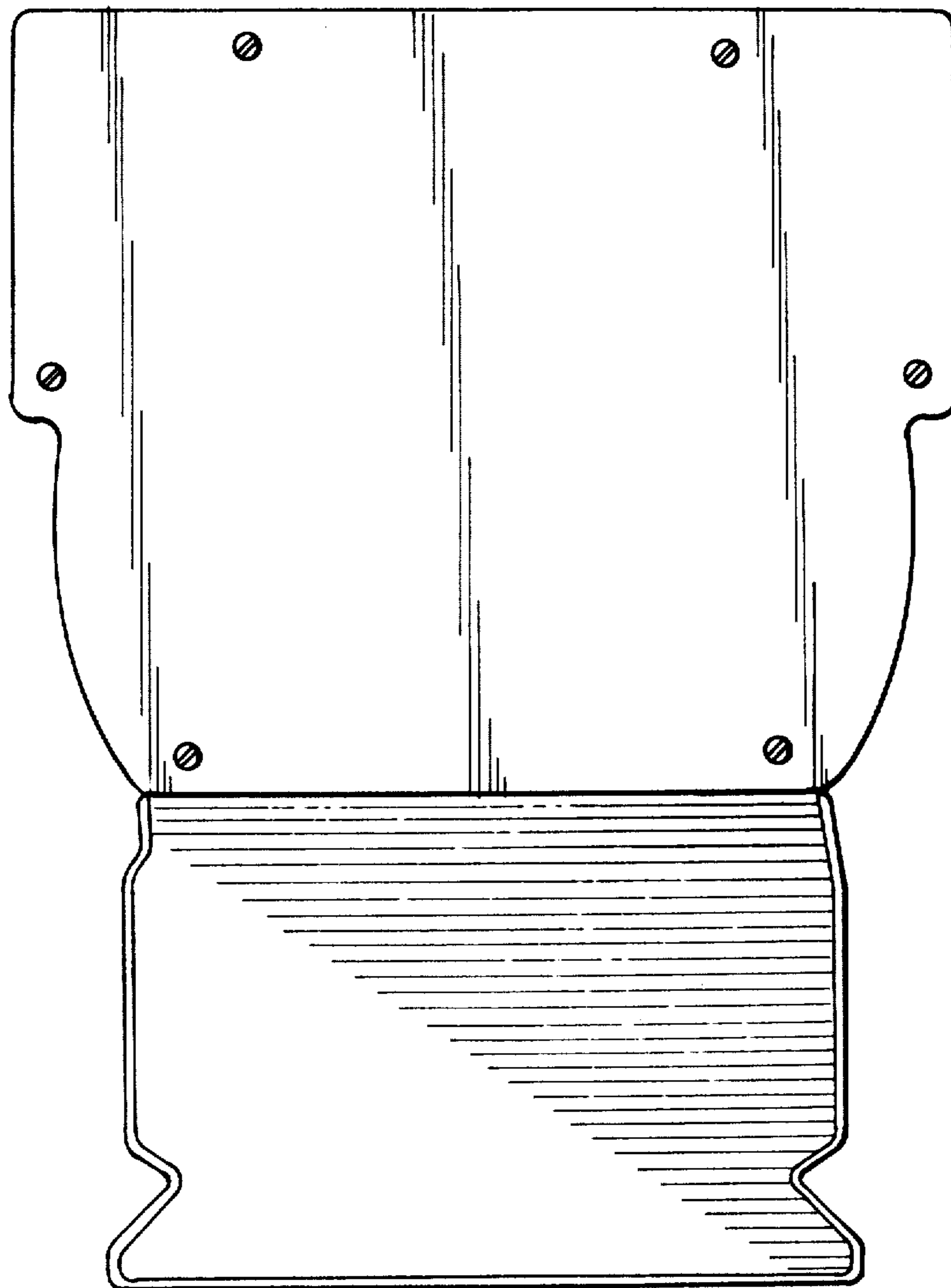


FIG. 5

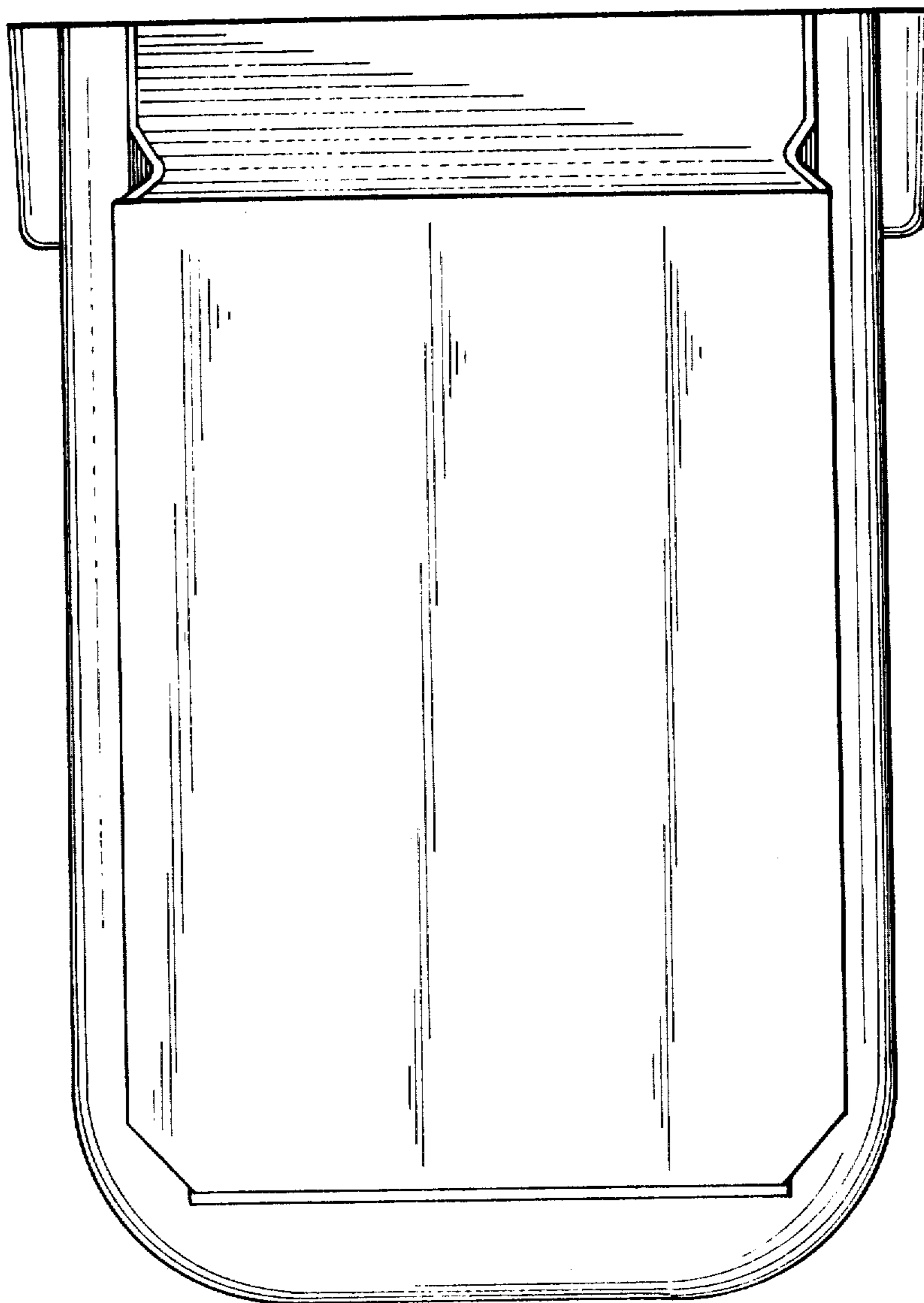


FIG. 6

