

[54] SPOUT

[75] Inventor: Wolfgang Fabian, Mannheim, Fed. Rep. of Germany

[73] Assignee: American Standard Inc., New York, N.Y.

[**] Term: 14 Years

[21] Appl. No.: 378,366

[22] Filed: May 14, 1982

Related U.S. Application Data

[62] Division of Ser. No. 92,874, Nov. 9, 1979.

[30] Foreign Application Priority Data

Jun. 13, 1979 [DE] Fed. Rep. of Germany 79/3

[51] Int. Cl. D23-01

[52] U.S. Cl. D23/32

[58] Field of Search D23/23-32; 4/191, 192; 137/606, 801

[56] References Cited

U.S. PATENT DOCUMENTS

D. 113,396 2/1939 Reinceko D23/32

D. 203,243	12/1965	Bilkiss	D23/32
D. 211,874	8/1968	Mongerson	D23/32
D. 237,082	10/1975	Keller	D23/32
D. 255,921	7/1980	Doman	D23/32
D. 261,027	9/1981	Klose	D23/32
D. 266,452	10/1982	Fleischmann	D23/32
3,387,816	6/1968	Holycross	137/801 X
3,871,406	3/1975	Anderson	137/801
4,084,620	4/1978	Bucknell et al.	137/801

OTHER PUBLICATIONS

Bathroom Jewelry Inc. brochure "Spouts,".

Primary Examiner—James R. Largen

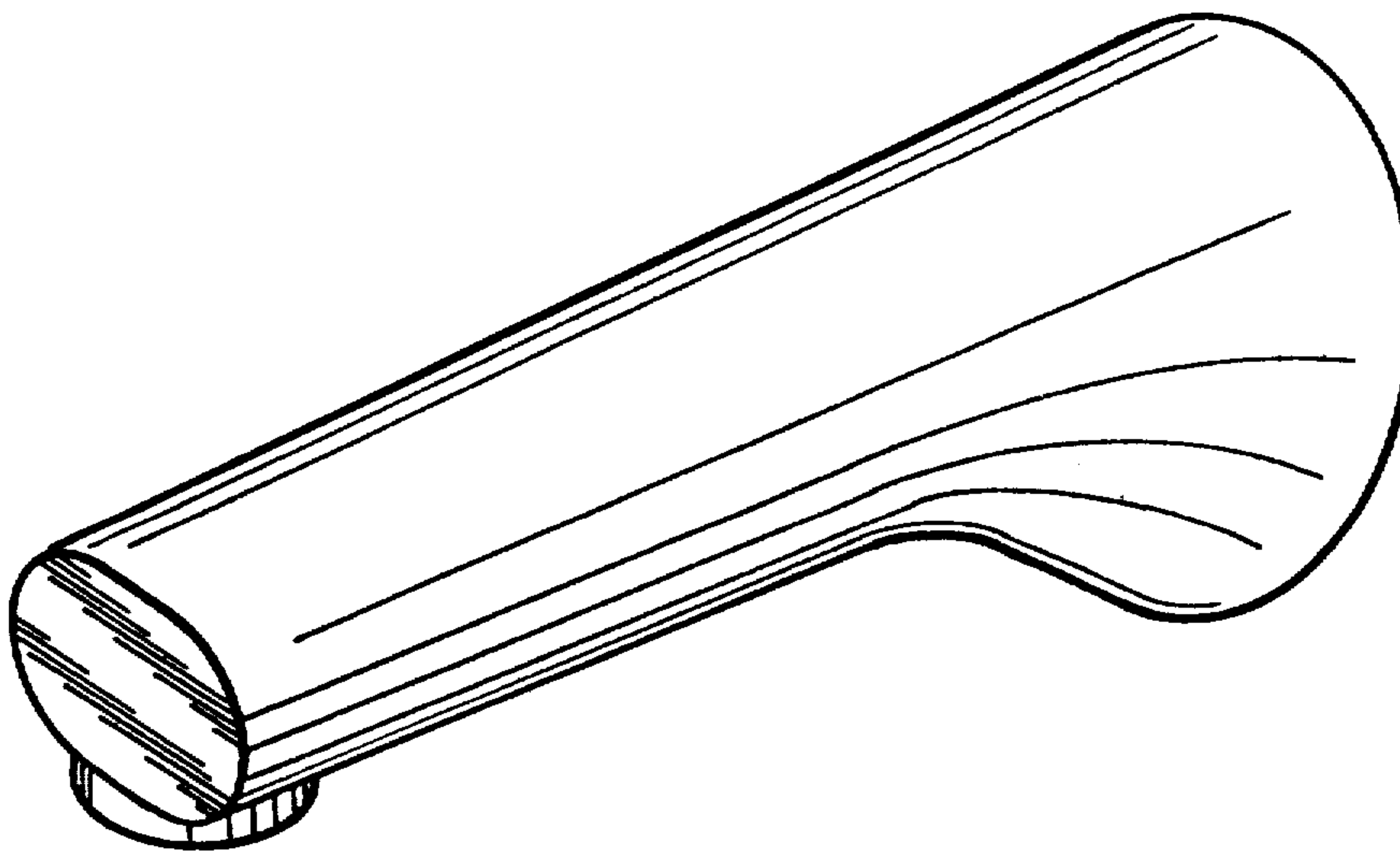
Attorney, Agent, or Firm—James J. Salerno, Jr.; Robert G. Crooks; John P. Sinnott

[57] CLAIM

The ornamental design for a spout, substantially as shown and described.

DESCRIPTION

FIG. 1 is a perspective view taken from the top, front and right side of a spout embodying my new design; FIG. 2 is a left side elevational view thereof; FIG. 3 is a front elevational view thereof; FIG. 4 is a top plan view thereof; FIG. 5 is a bottom plan view thereof; FIG. 6 is a rear elevational view thereof;



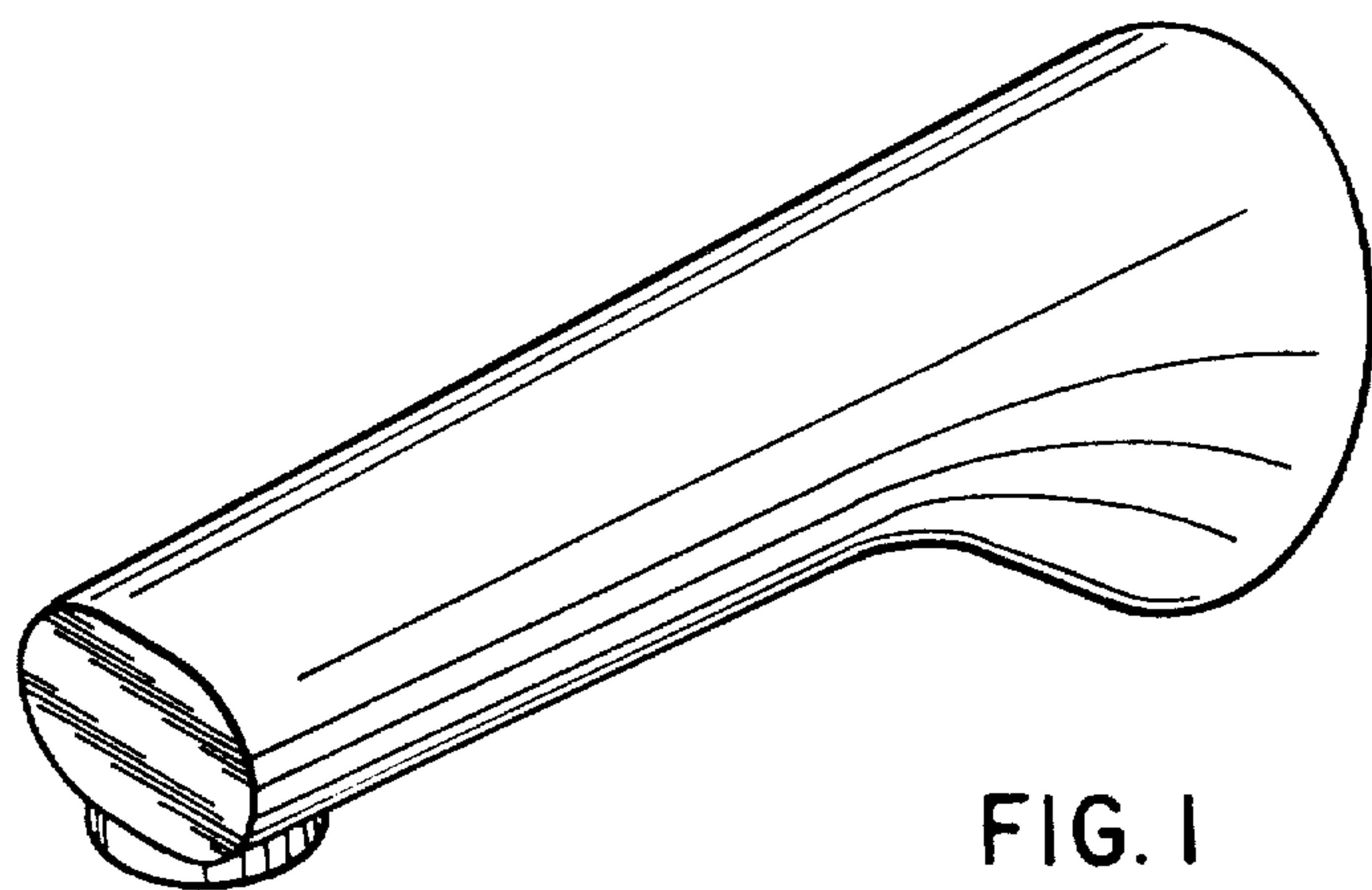


FIG. 1

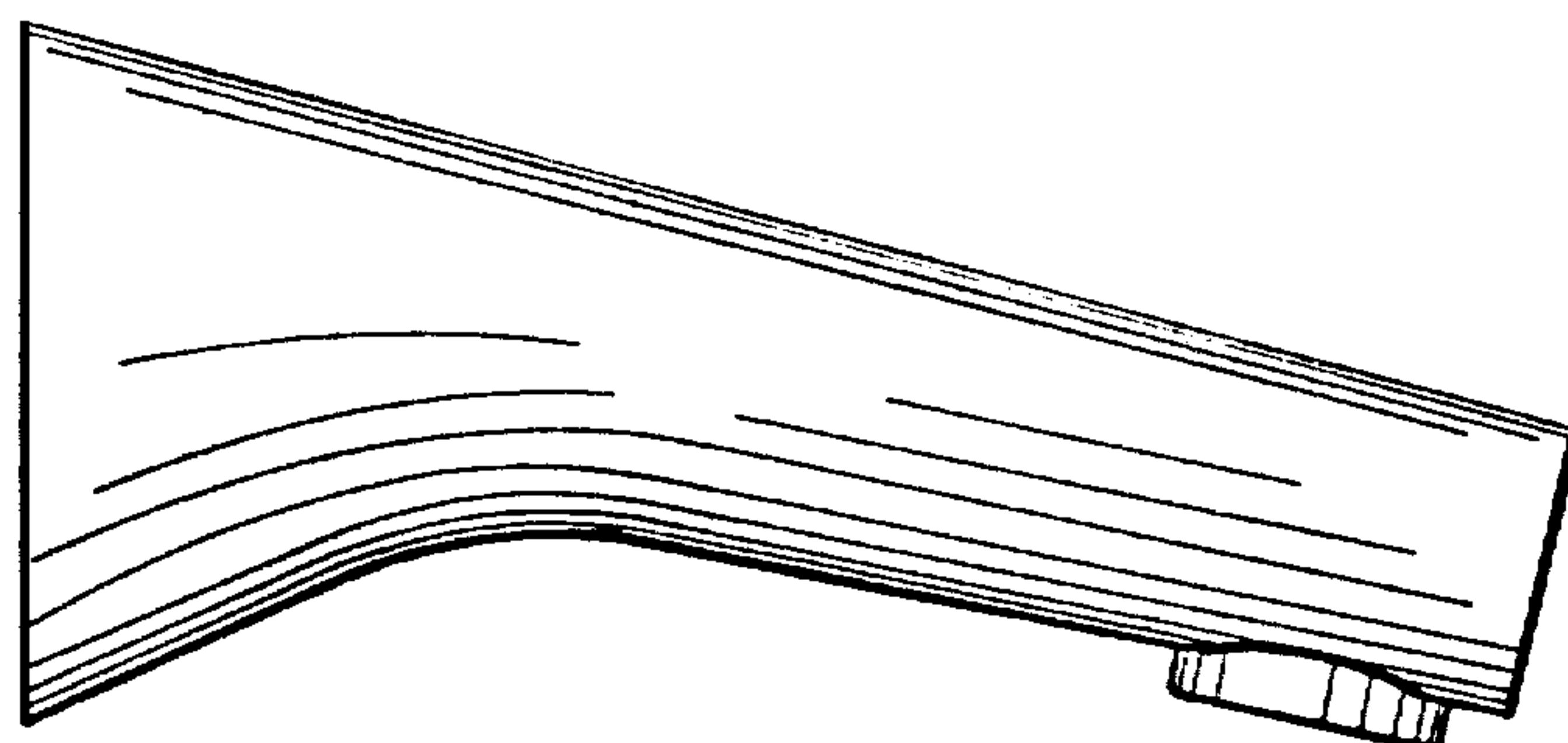


FIG. 2

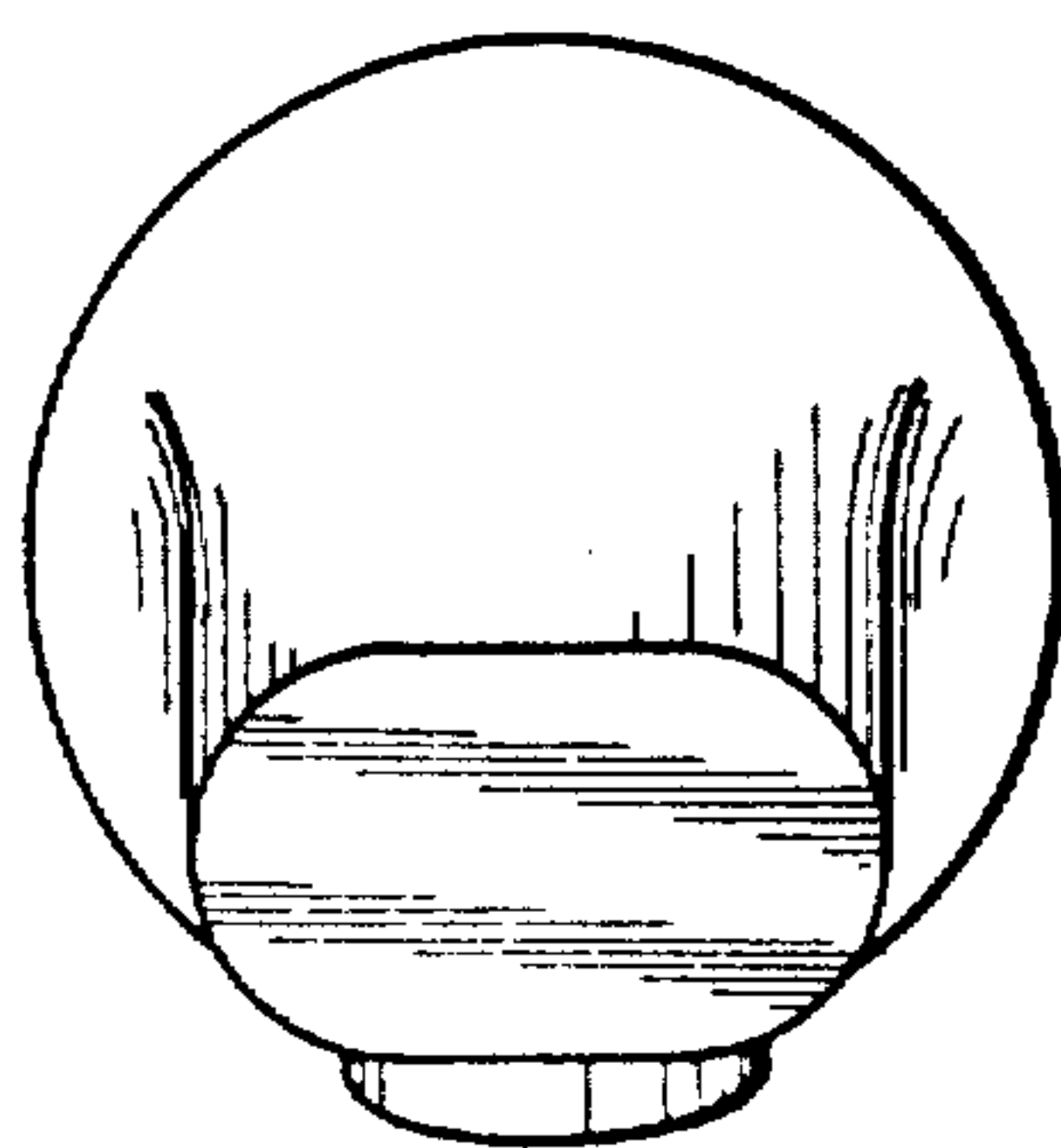


FIG. 3

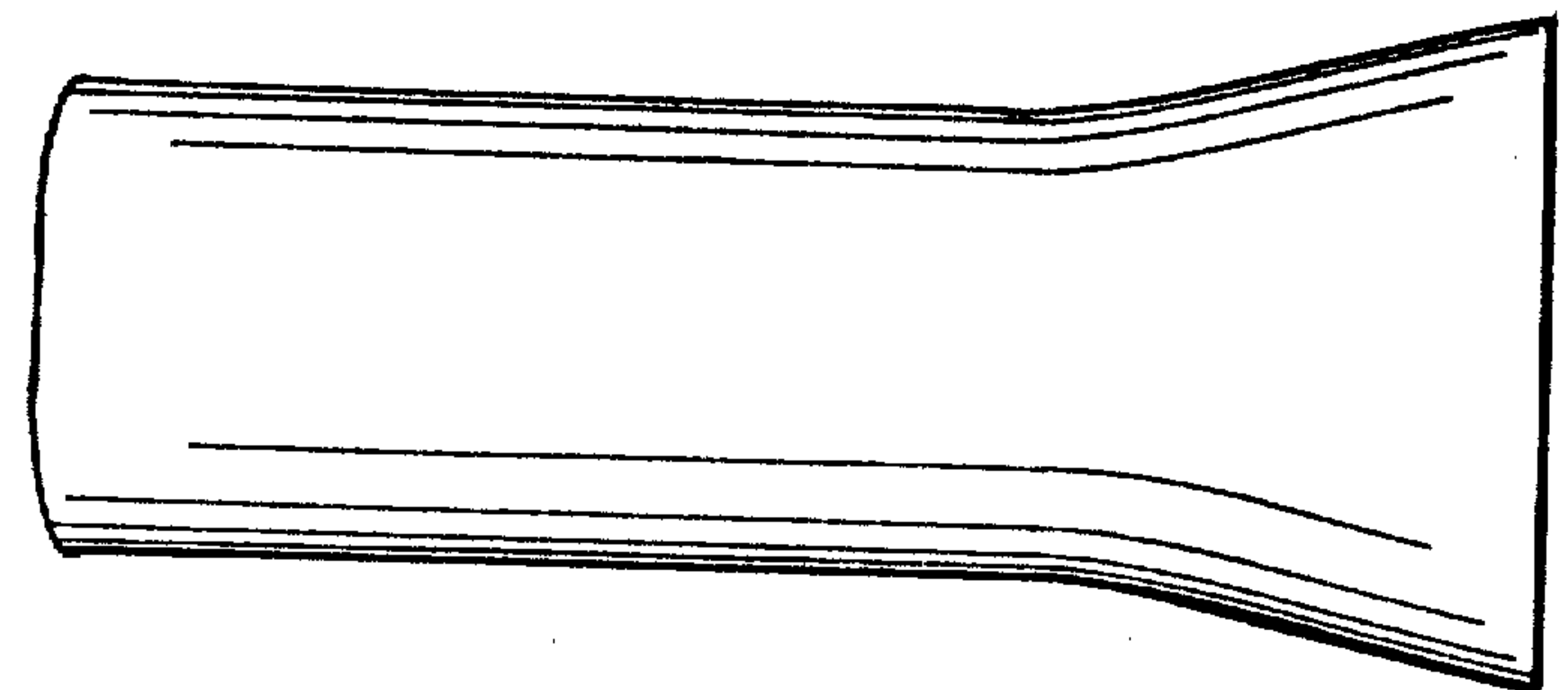


FIG. 4

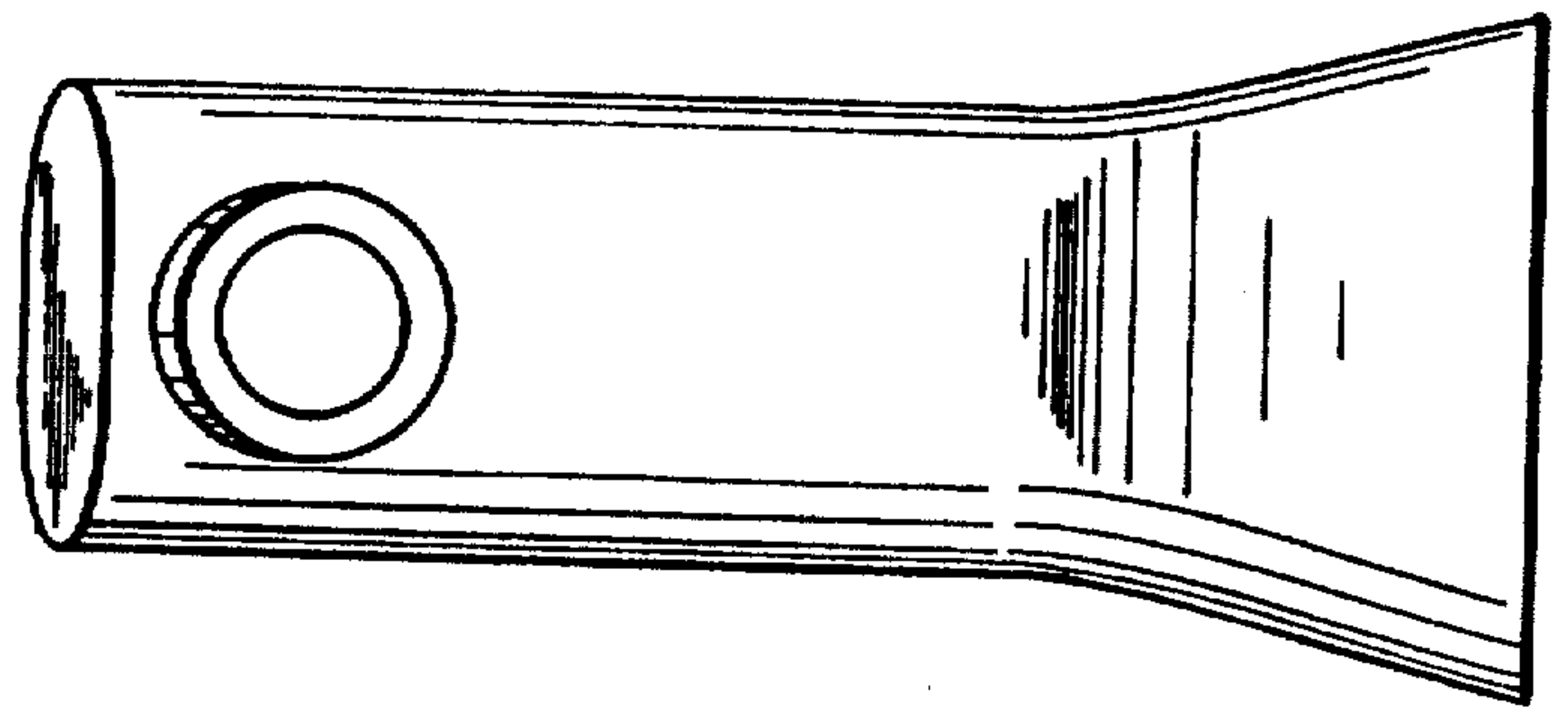


FIG. 5

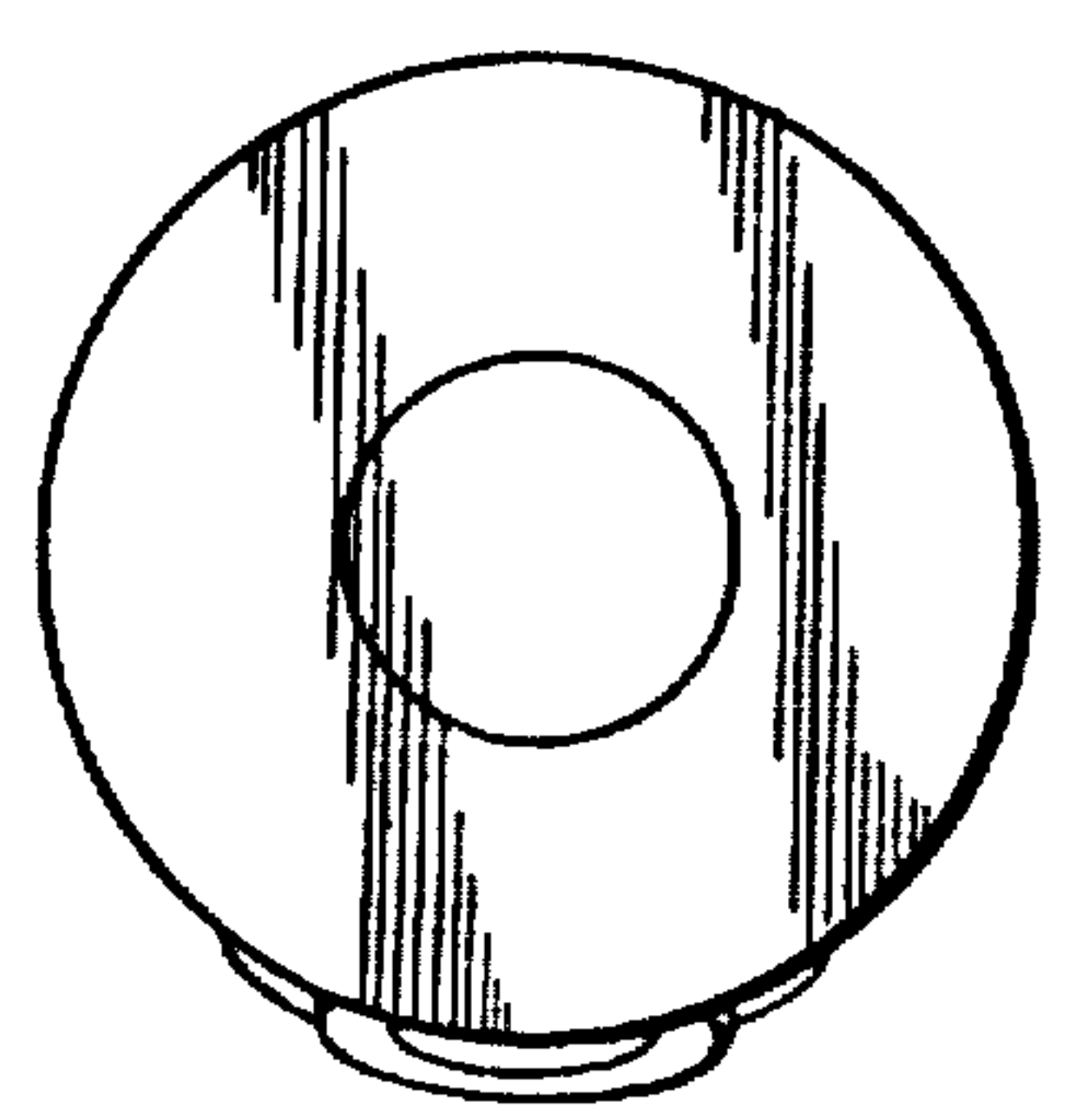


FIG. 6