

[54] SPACESHIP TOY

[75] Inventor: **Kenneth R. Wilkes**, East Aurora, N.Y.

[73] Assignee: **The Quaker Oats Company**, Chicago, Ill.

[**] Term: **14 Years**

[21] Appl. No.: **345,742**

[22] Filed: **Feb. 4, 1982**

[51] Int. Cl. **D21-01**

[52] U.S. Cl. **D21/87**

[58] Field of Search **D21/87, 88, 89; D12/319, 320, 321, 12; 46/74 A, 74 B, 76 R, 76 A, 79**

[56] **References Cited**

U.S. PATENT DOCUMENTS

D. 200,183 1/1965 Ordway D21/87

D. 266,440 10/1982 Pibet D21/87
D. 268,773 4/1983 Rodis-Jamero D21/87
4,085,542 4/1978 Mitamura D21/87

OTHER PUBLICATIONS

Sears Wish Book, 1980, p. 631, item #12, "Millenium Falcon Spaceship".

Primary Examiner—Charles A. Rademaker
Attorney, Agent, or Firm—Cumpston & Shaw

[57] **CLAIM**

The ornamental design for a spaceship toy, substantially as shown and described.

DESCRIPTION

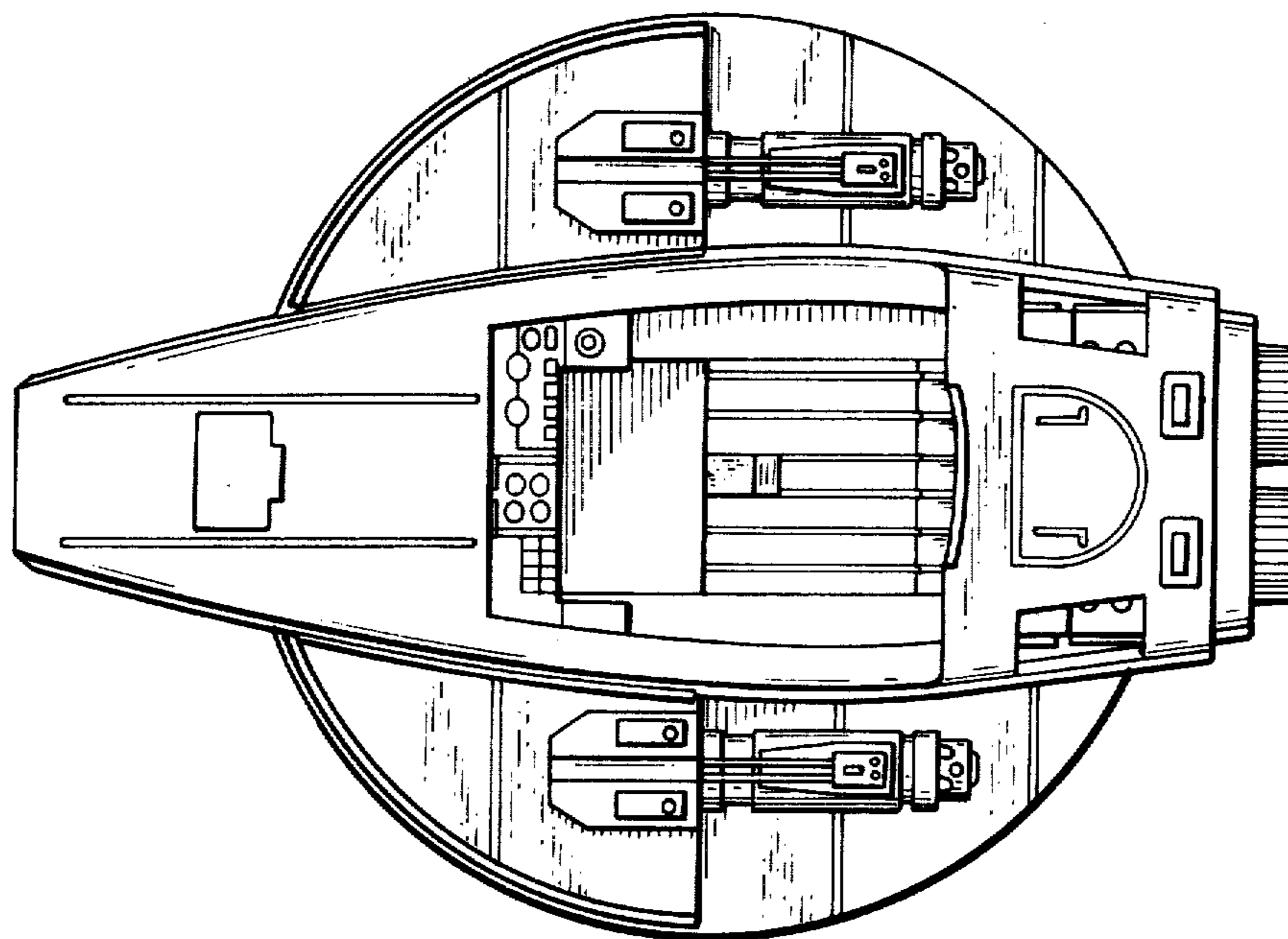
FIG. 1 is a left side elevational view of a spaceship toy showing my new design, the right side being substantially a mirror image;

FIG. 2 is a top plan view thereof;

FIG. 3 is a front elevational view thereof;

FIG. 4 is a rear elevational view thereof; and

FIG. 5 is a bottom plan view thereof.



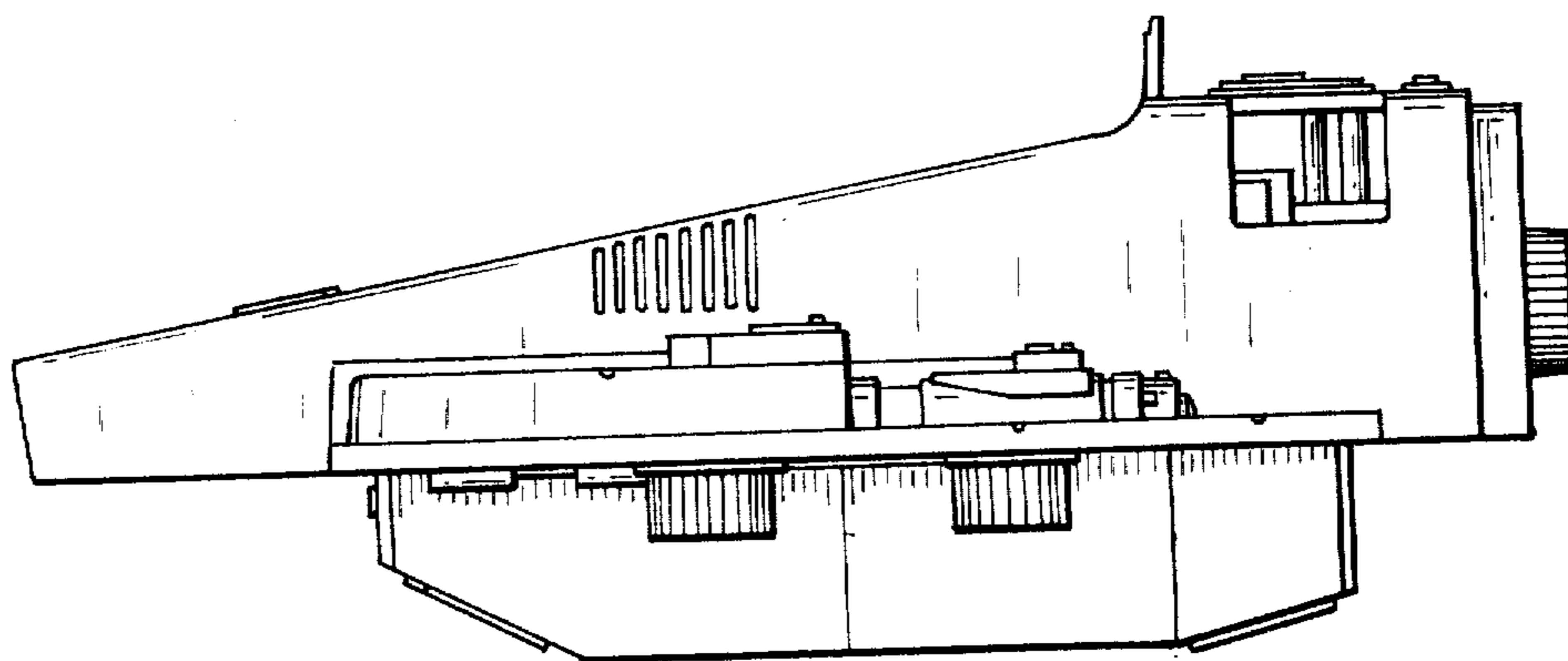


FIG. 1

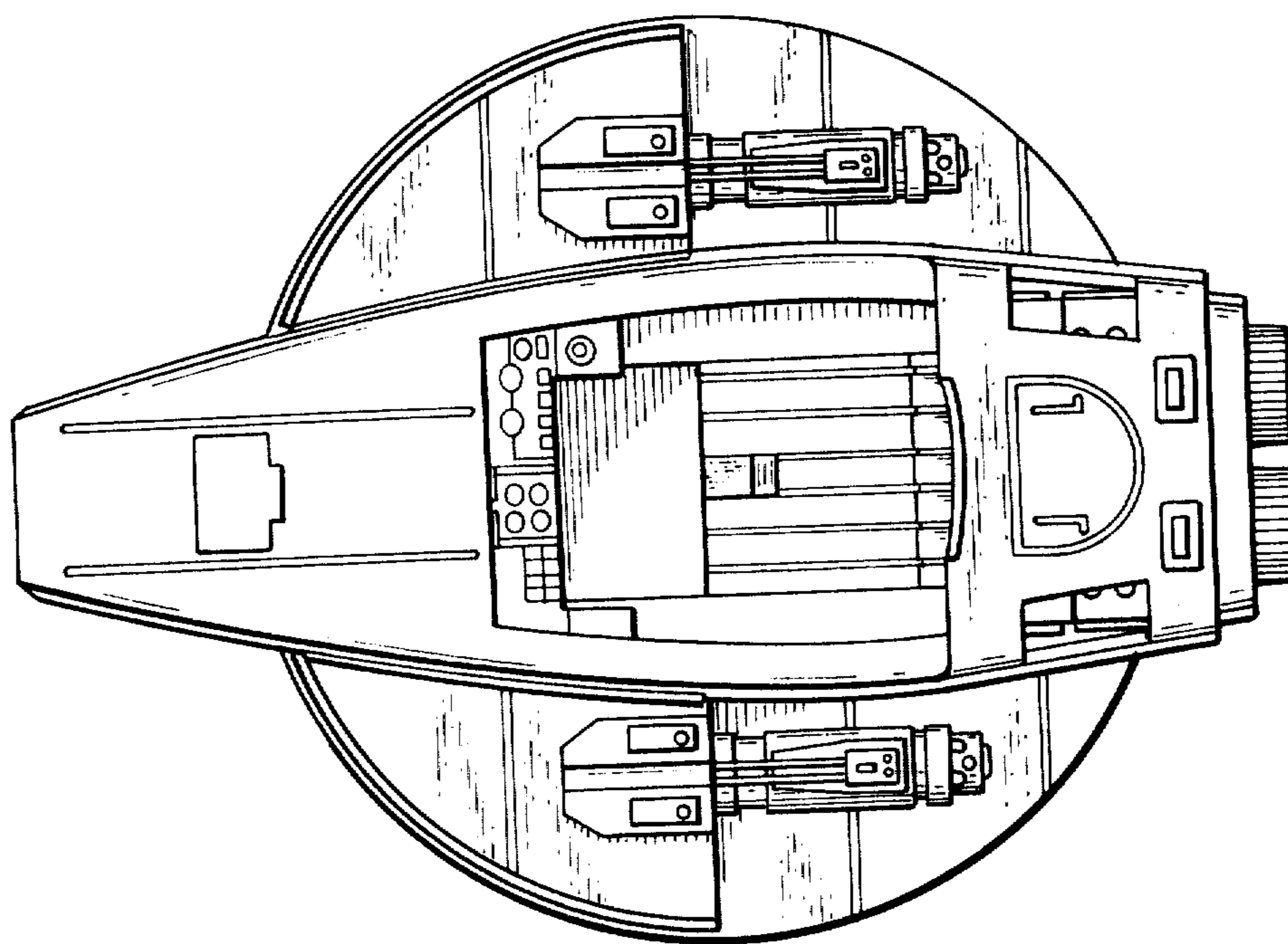


FIG. 2

