

[54] TRAY FOR A MECHANICAL PRECIOUS METAL RECOVERY DEVICE

[75] Inventor: James L. Weir, Camarillo, Calif.

[73] Assignee: Au Equipment Associates, Ltd., Westlake Village, Calif.

[**] Term: 14 Years

[21] Appl. No.: 324,383

[22] Filed: Nov. 23, 1981

[51] Int. Cl. D15-99

[52] U.S. Cl. D15/147

[58] Field of Search D15/147; 207/447, 458, 207/479, 484, 485, 506

[56] References Cited

U.S. PATENT DOCUMENTS

185,116	12/1876	Mann	209/458
644,994	3/1900	Milan	209/458
4,273,648	6/1981	Legg	209/447
4,319,985	3/1982	Hibbard	209/458

Primary Examiner—B. J. Bullock
Attorney, Agent, or Firm—Stanley E. Anderson, Jr.;
Dennis L. Mangrum

[57] CLAIM

The ornamental design for a tray for a mechanical precious metal recovery device, substantially as shown.

DESCRIPTION

FIG. 1 is a perspective view of a tray for a mechanical precious metal recovery device showing my new design;

FIG. 2 is a top plan view thereof;

FIG. 3 is an end elevational view taken from the left of FIG. 1;

FIG. 4 is an end elevational view taken from the right of FIG. 1;

FIG. 5 is a side elevational view taken from the rear of FIG. 1;

FIG. 6 is a side elevational view taken from the front of FIG. 1;

FIG. 7 is a bottom plan view thereof.

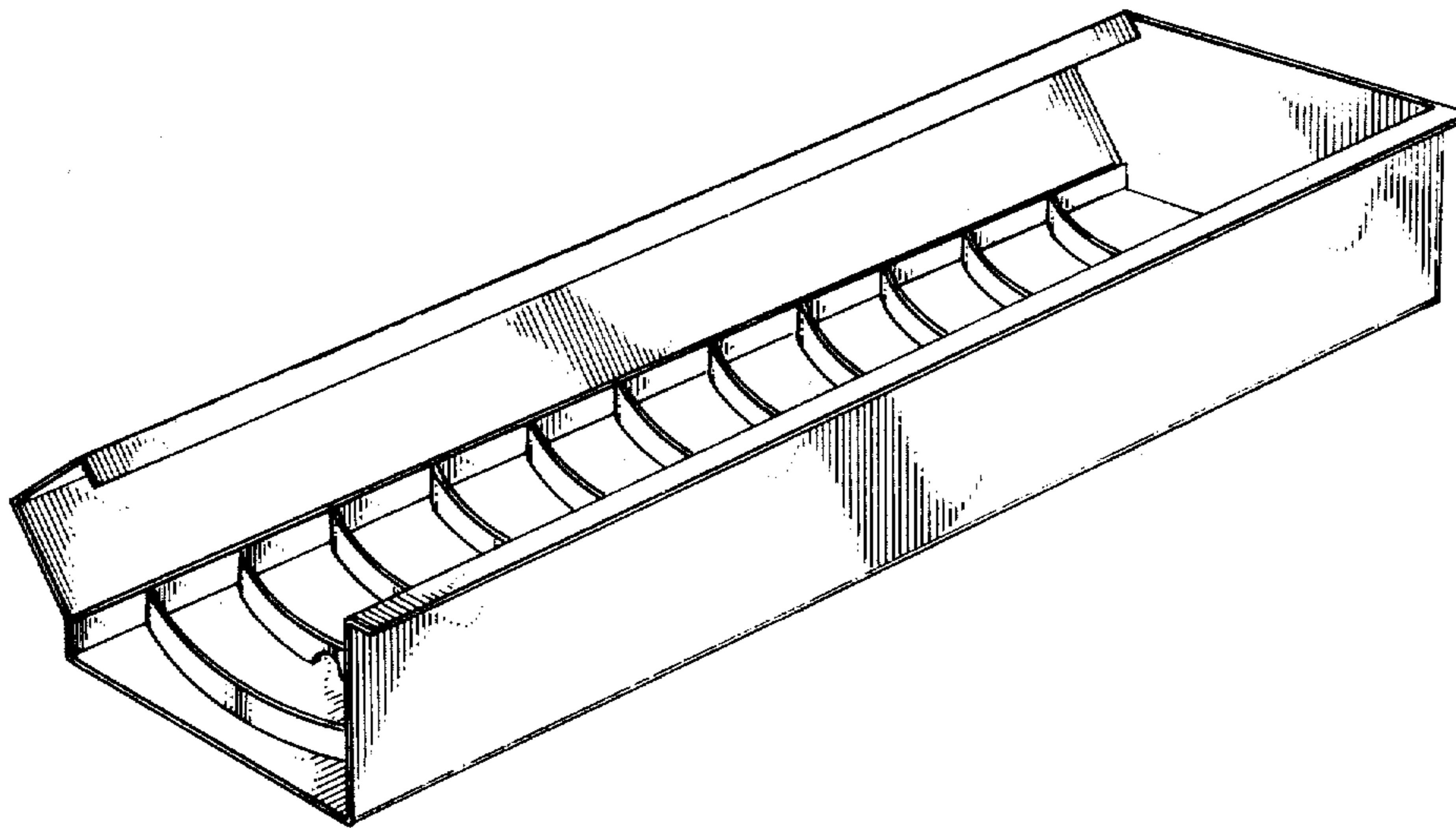


Fig. 1

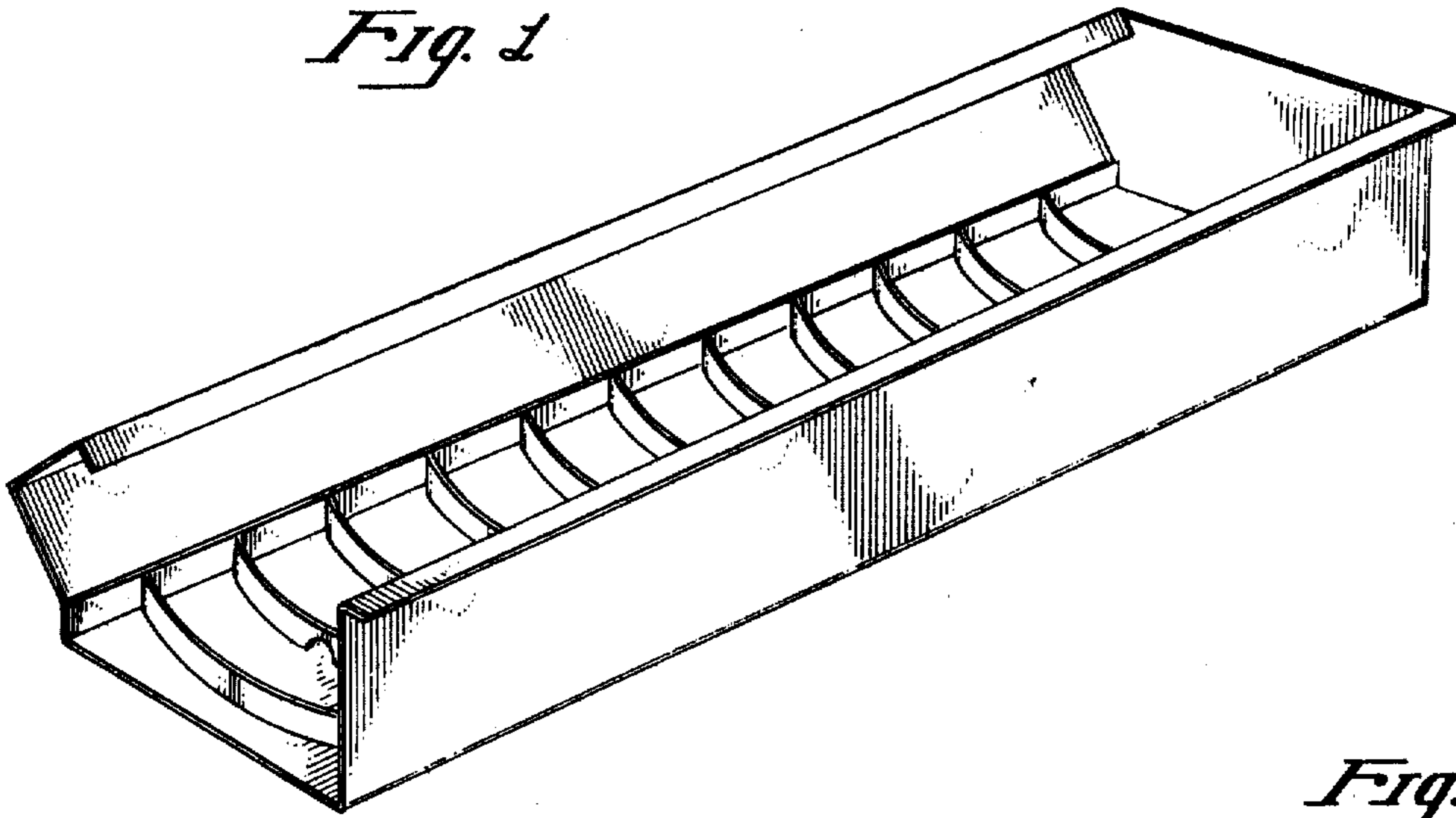


Fig. 2

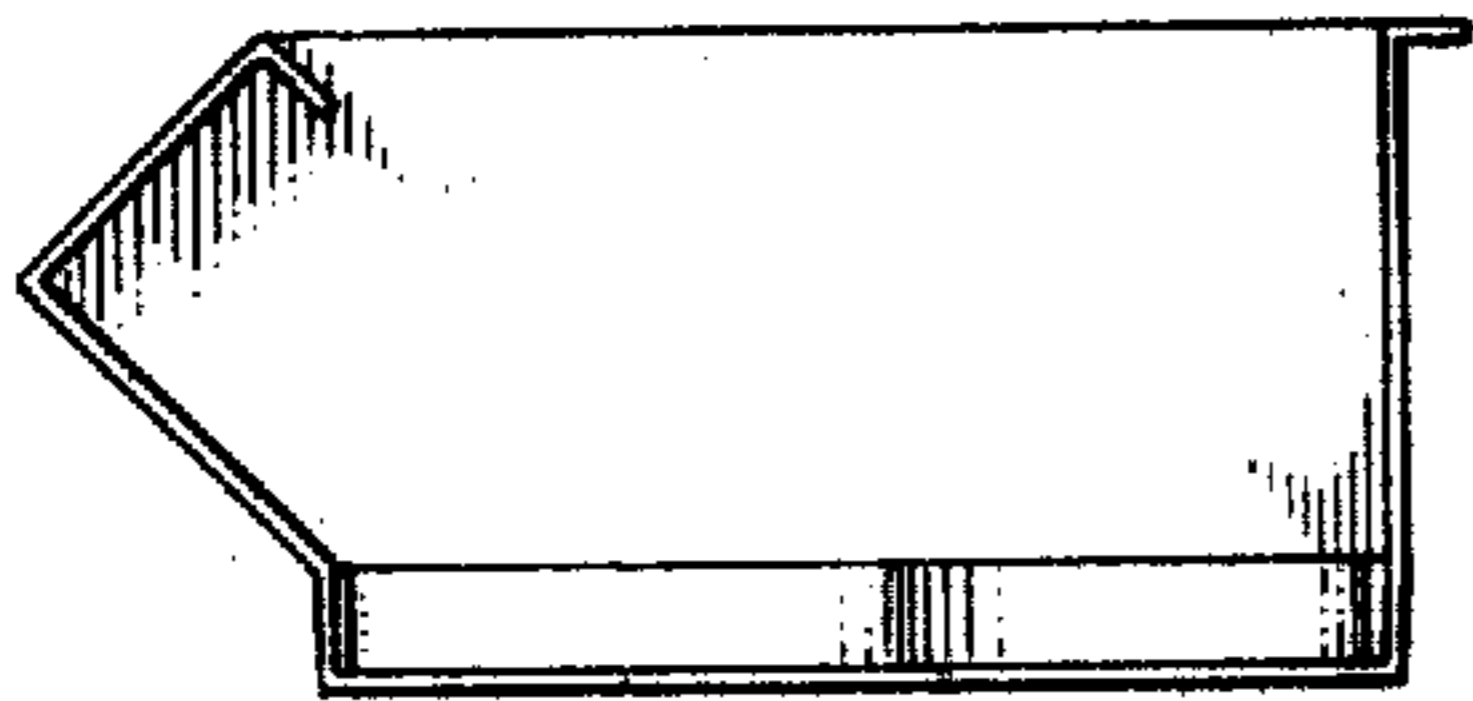
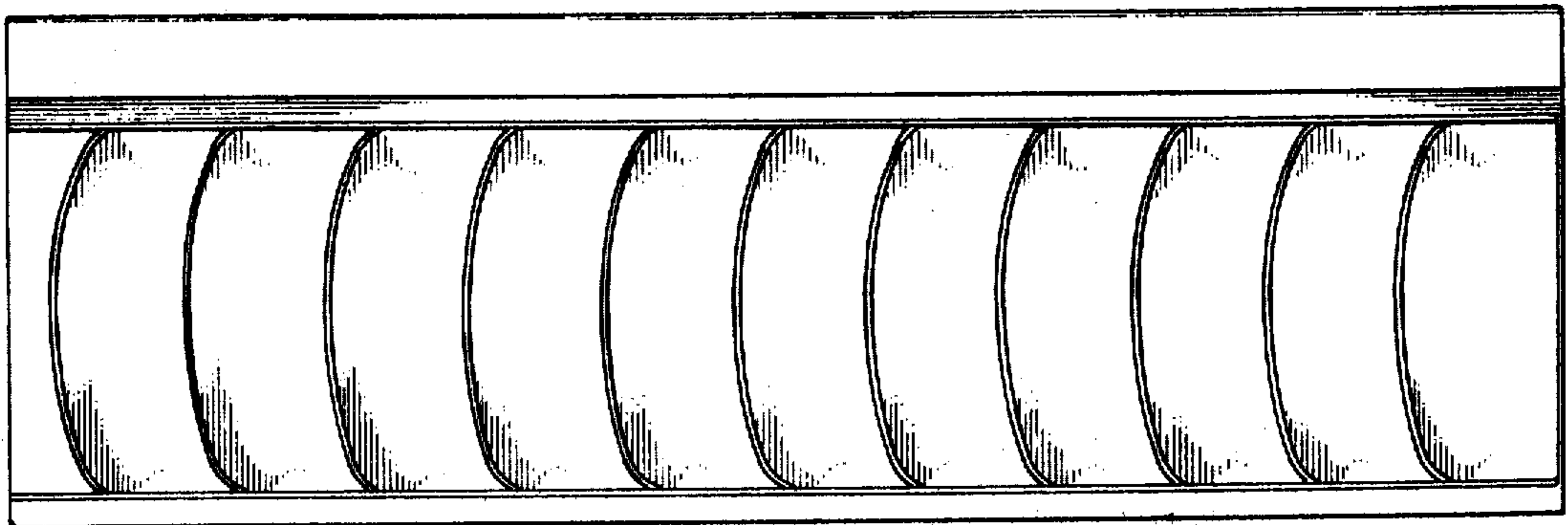


Fig. 3

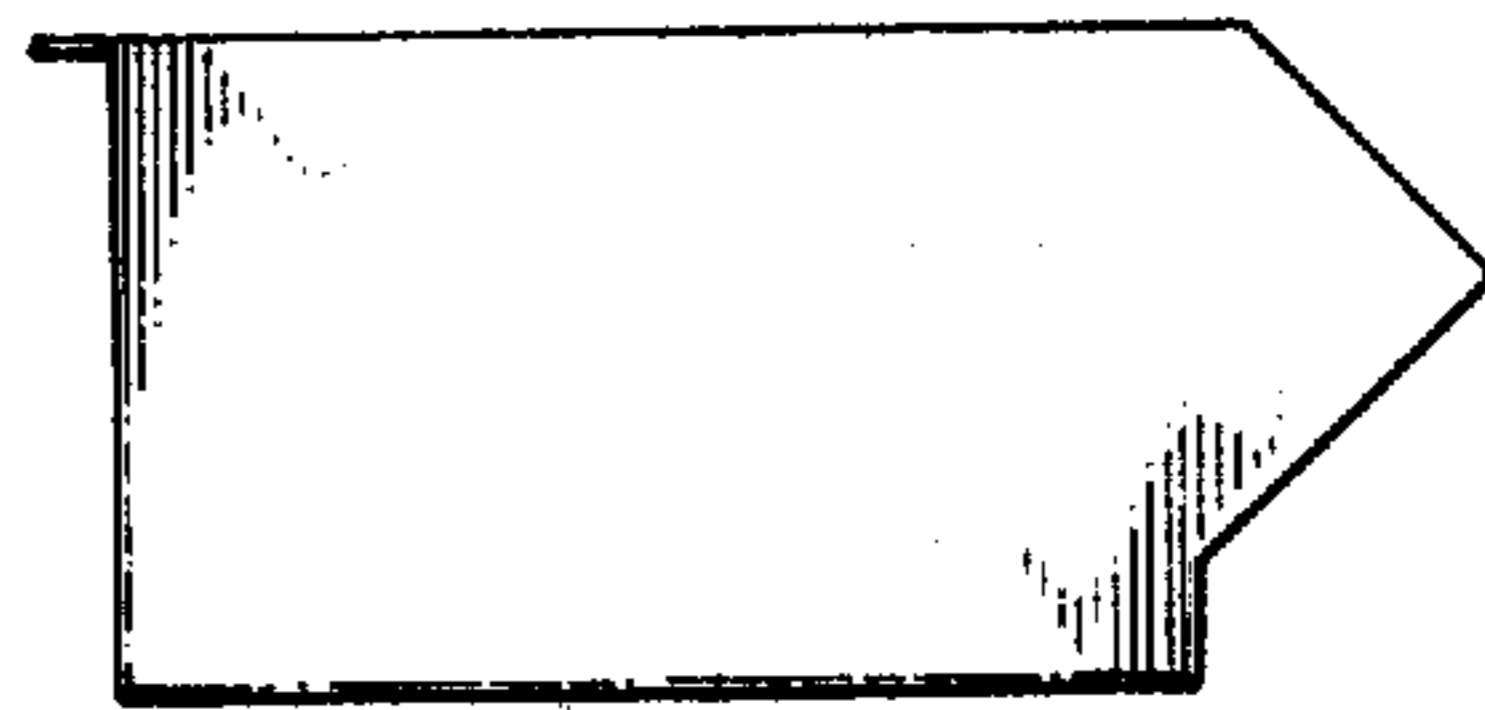


Fig. 4

Fig. 5

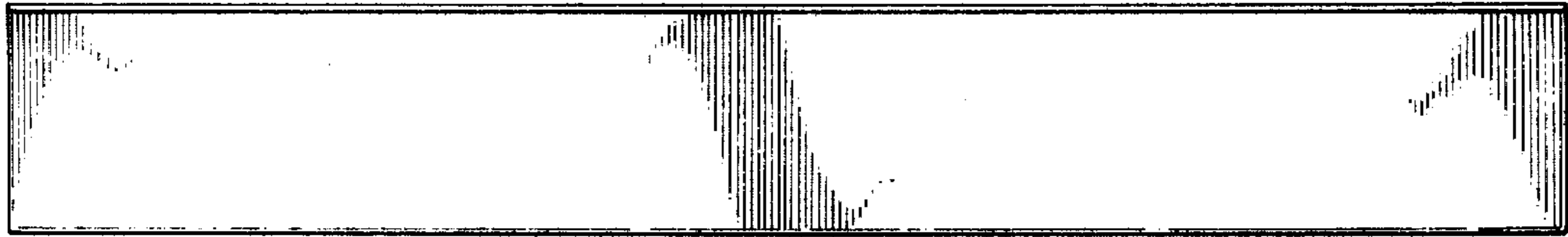
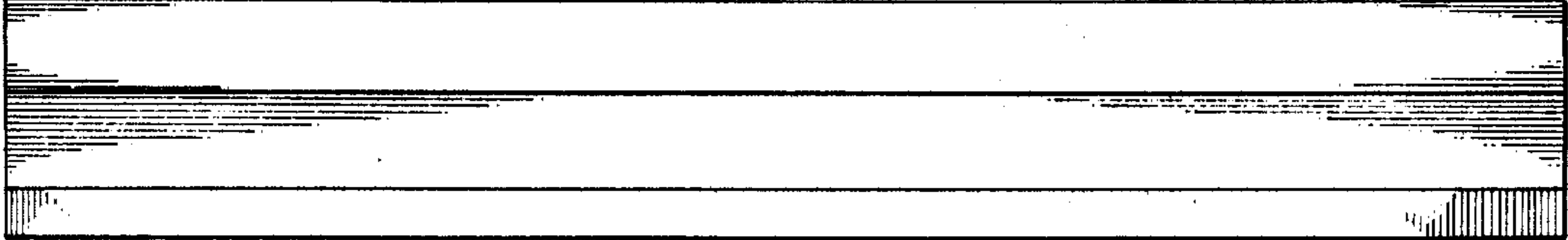


Fig. 6

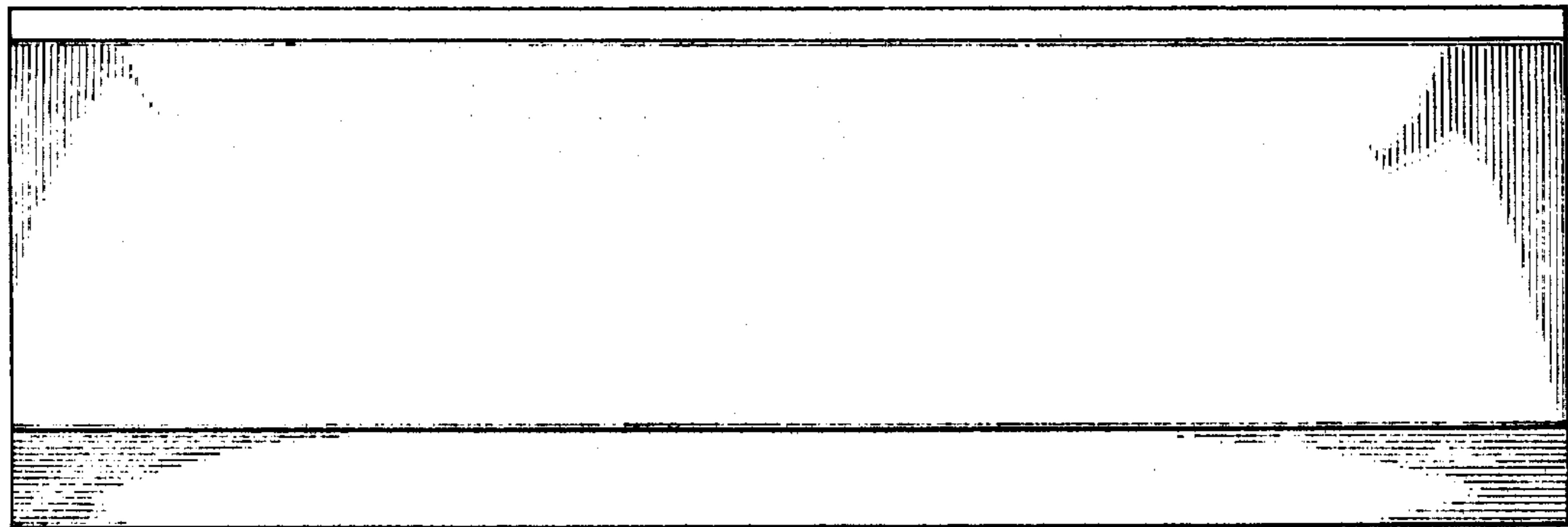


Fig. 7