

[54] PRE-RECORDED CARTRIDGE VIDEO/AUDIO DISK

[75] Inventors: Osamu Tajima, Ayase; Takashi Yamamura, Yokohama; Masafumi Mochizuki, Yamato; Yoichi Mita, Tokyo, all of Japan

[73] Assignee: Victor Company of Japan, Limited, Yokohama, Japan

[**] Term: 14 Years

[21] Appl. No.: 283,624

[22] Filed: Jul. 15, 1981

Related U.S. Application Data

[63] Continuation-in-part of Ser. No. 166,781, Jul. 7, 1980.

[30] Foreign Application Priority Data

Feb. 1, 1980 [JP] Japan 55-14482

[51] Int. Cl. D14-99; D16-99

[52] U.S. Cl. D14/11; D3/35; D14/99

[58] Field of Search D14/1, 11, 99; 206/387, 206/444; D3/35; 360/99, 133-135

[56] References Cited

U.S. PATENT DOCUMENTS

D. 267,714	1/1983	Tajima et al.	D14/99 X
4,145,726	3/1979	Conaty	206/444 X
4,360,845	11/1982	Tajima et al.	206/444 X

FOREIGN PATENT DOCUMENTS

2485784	12/1981	France	206/387
---------	---------	--------------	---------

Primary Examiner—Jane E. Corrigan

Attorney, Agent, or Firm—Cushman, Darby & Cushman

[57] CLAIM

The ornamental design for a pre-recorded cartridge video/audio disk, as shown and described.

DESCRIPTION

FIG. 1 is a front, top and right side perspective view of a pre-recorded cartridge video/audio disk showing our new design;

FIG. 2 is a rear, bottom and left side perspective view; FIG. 3 is a sectional view taken along line III—III in FIG. 1;

FIG. 4 is a sectional taken along line IV—IV in FIG. 1; and

FIG. 5 is an exploded view like FIG. 1 showing the lid, disk and case.

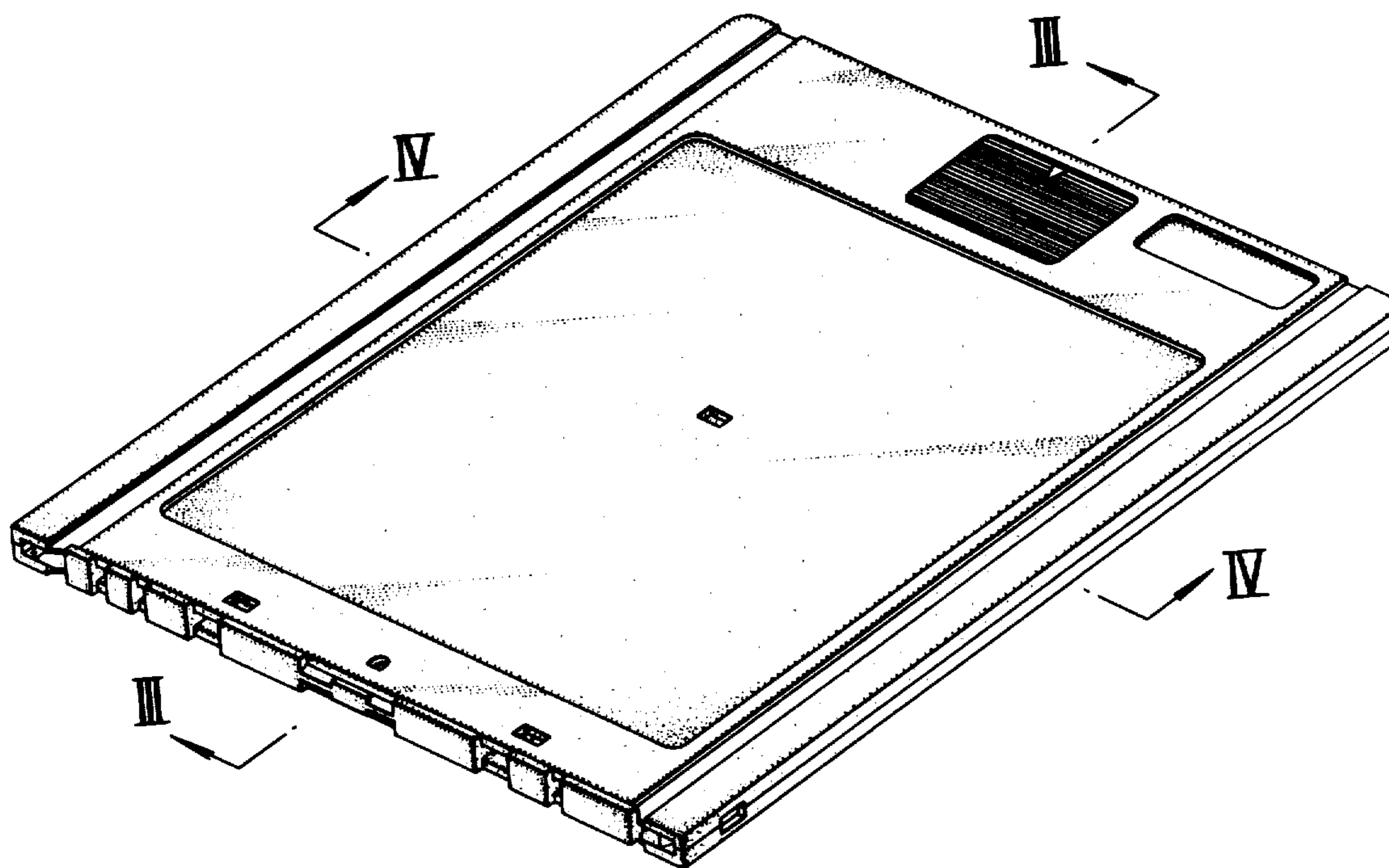


FIG. 1

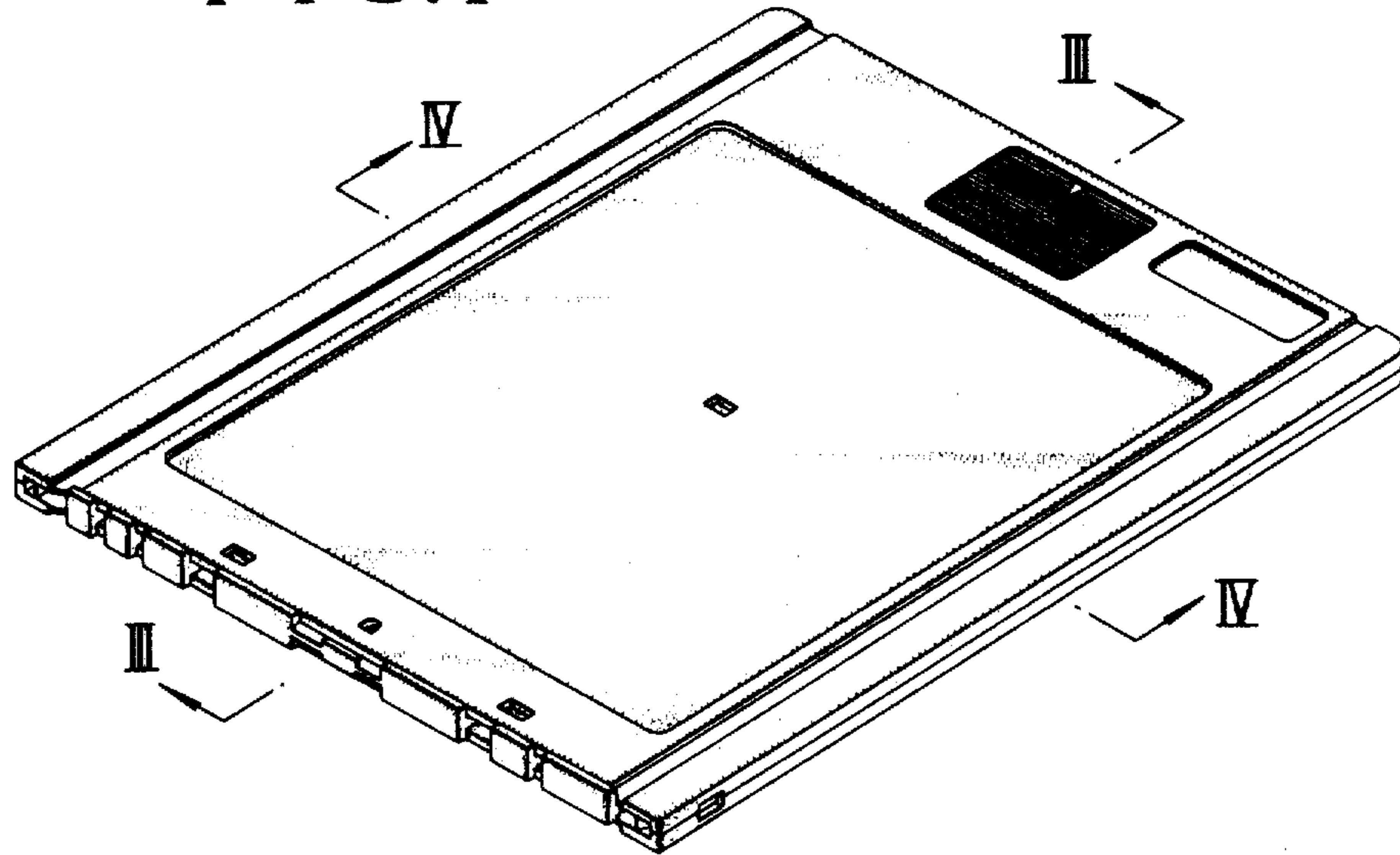


FIG. 2

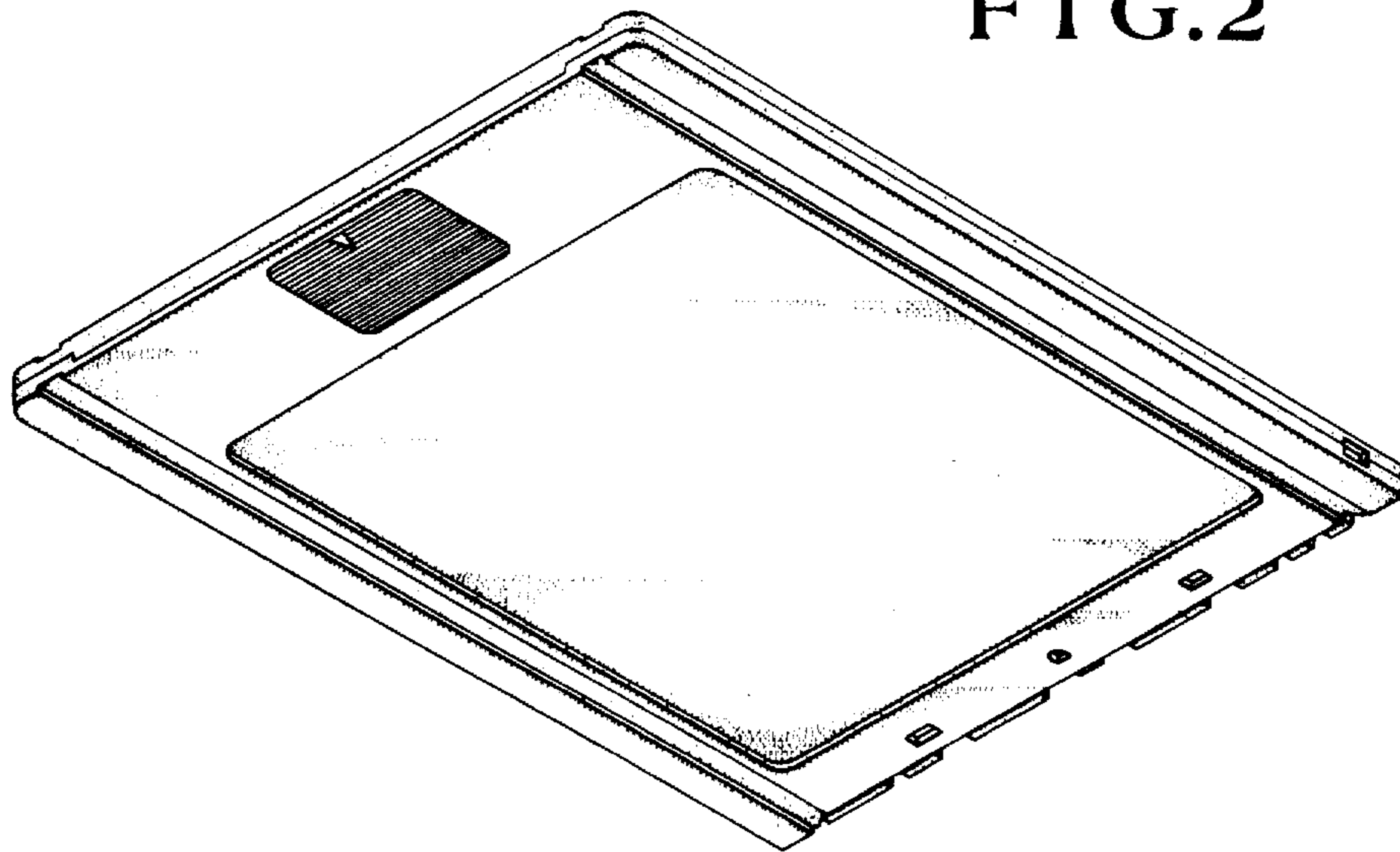


FIG.3



FIG.4

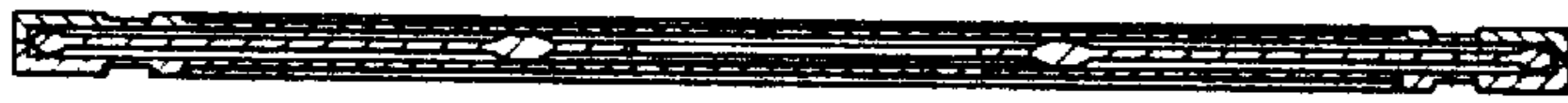


FIG. 5

