

[54] PROTRACTOR

[76] Inventor: Fahim R. Sidrak, 4649 Norwich Rd.,
Wilmington, N.C. 28405

[**] Term: 14 Years

[21] Appl. No.: 313,308

[22] Filed: Oct. 20, 1981

D. 157,458	2/1950	Zagray	D10/62
D. 267,932	2/1983	Sidrak	D10/65
621,177	3/1899	Sykes	33/403
665,316	1/1901	Fay	33/403
1,264,633	4/1918	Gibson	33/494
1,961,500	6/1934	Larson	33/1 N
2,011,282	8/1935	Hochman	33/1 N
2,735,182	2/1956	Kalberer	33/403
3,579,841	5/1971	Peterson	33/403

Related U.S. Application Data

[63] Continuation-in-part of Ser. No. 118,671, Feb. 5, 1980.

[51] Int. Cl. D10-04

[52] U.S. Cl. D10/65

[58] Field of Search D10/62, 61, 64, 65,
D10/70, 71; 33/1 N, 403, 494; D19/37, 39

References Cited

U.S. PATENT DOCUMENTS

D. 129,583	9/1941	Grant	D10/71
D. 137,459	3/1944	Colmery	D10/65

FOREIGN PATENT DOCUMENTS

121364	6/1926	Switzerland	33/403
--------	--------	-------------	-------	--------

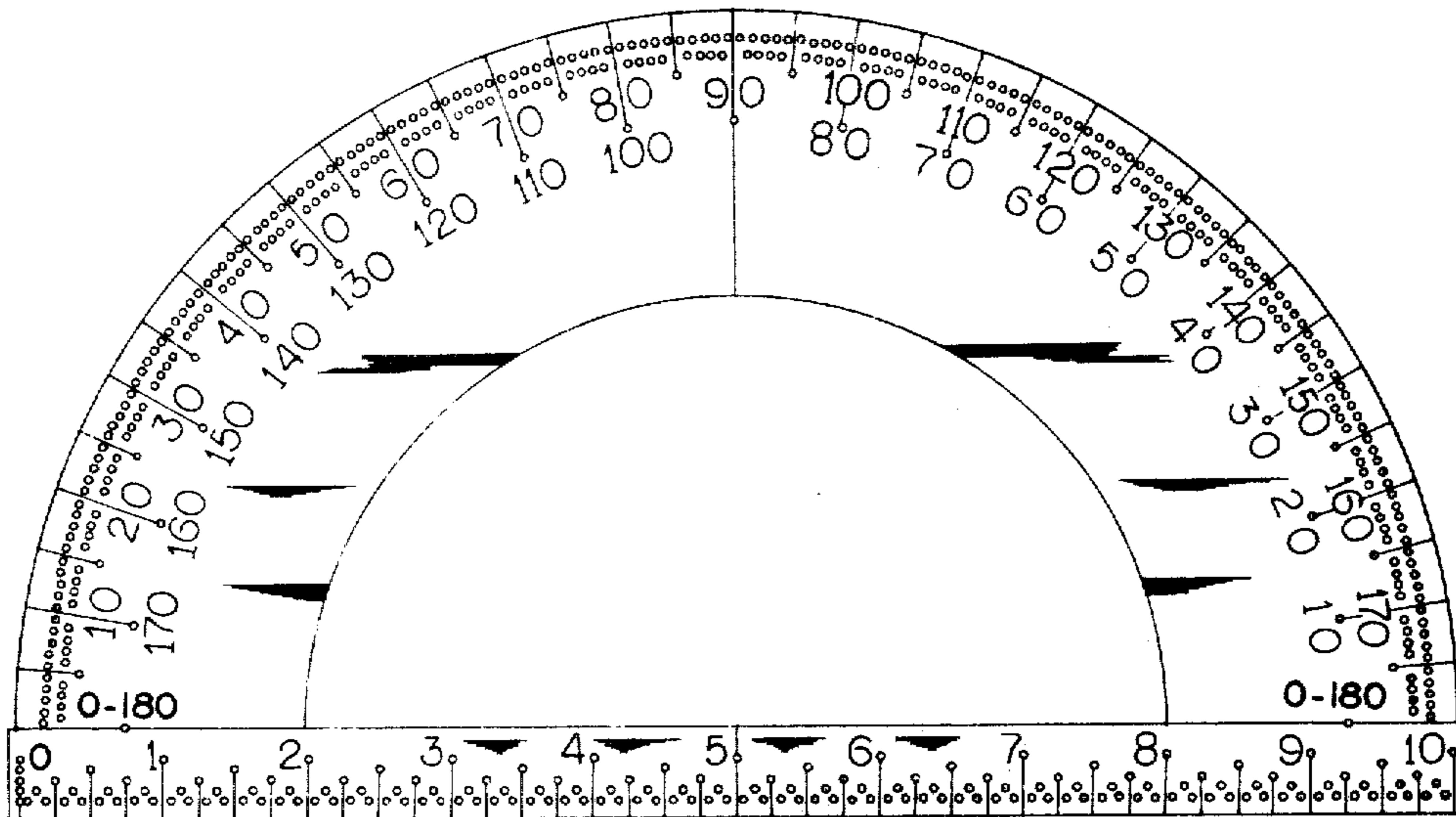
Primary Examiner—Nelson C. Holtje
Attorney, Agent, or Firm—B. B. Olive

[57] CLAIM

The ornamental design for a protractor, substantially as shown and described.

DESCRIPTION

FIG. 1 is a top plan view of a protractor showing my new design, the bottom being plain and unornamented; FIG. 2 is a front elevational view thereof.



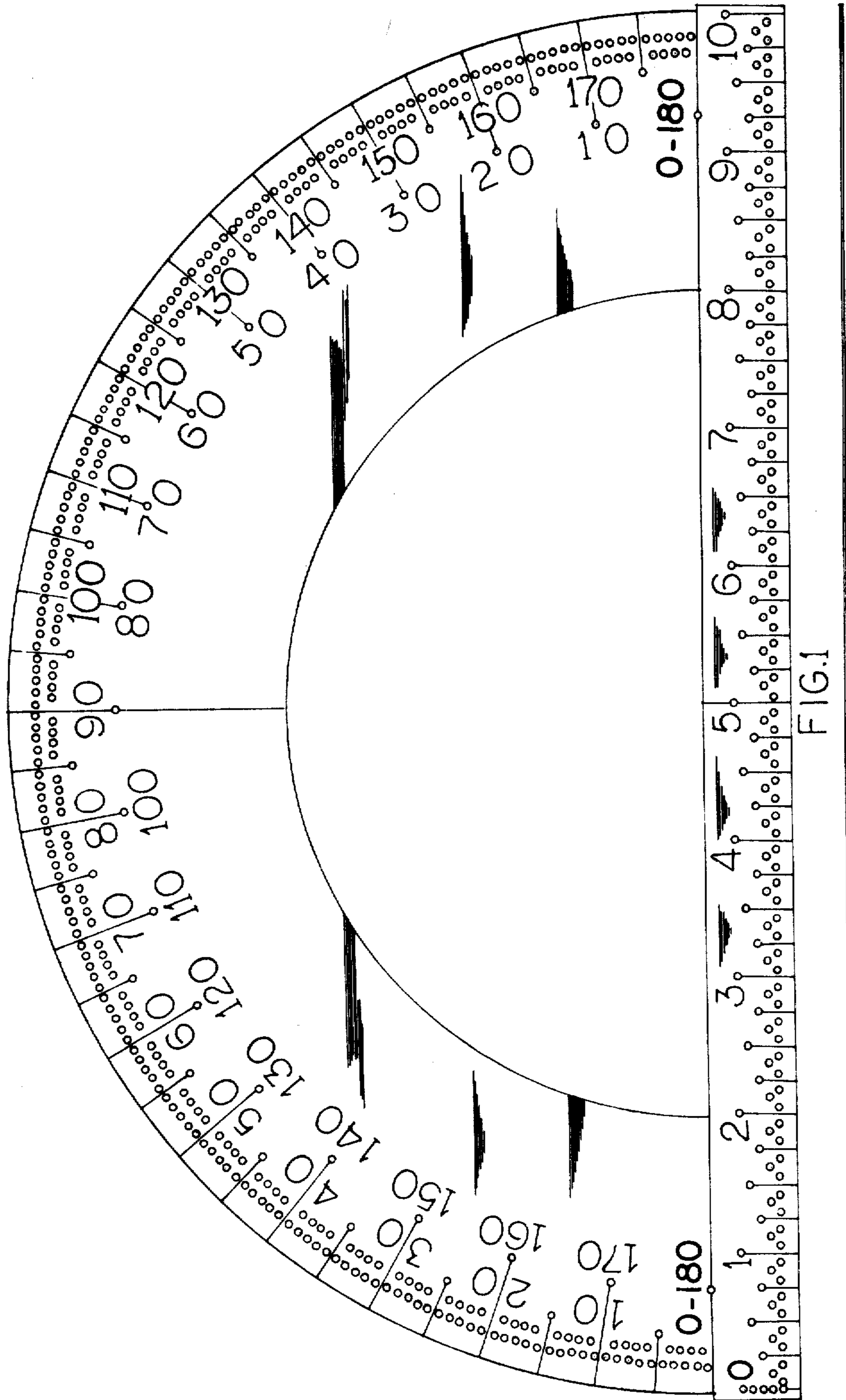


FIG. 2