

[54] PHOTOGRAPH DISPLAY
 [75] Inventor: Vincent Di Bartolo, Cresskill, N.J.
 [73] Assignee: Mateflex/Mele Corporation, Utica, N.Y.
 [**] Term: 14 Years
 [21] Appl. No.: 319,699
 [22] Filed: Nov. 9, 1981
 [51] Int. Cl. D6-07
 [52] U.S. Cl. D6/234
 [58] Field of Search D6/232-246;
 40/152, 152.1, 401, 404; D19/20, 21

4,041,627 8/1977 Lyman D6/235

OTHER PUBLICATIONS

Walter Drake Cat., ©1979, p. 61, "Roto-Photo" File.
 Primary Examiner—Charles A. Rademaker
 Attorney, Agent, or Firm—Kane, Dalsimer, Kane,
 Sullivan and Kurucz

[56] References Cited
 U.S. PATENT DOCUMENTS

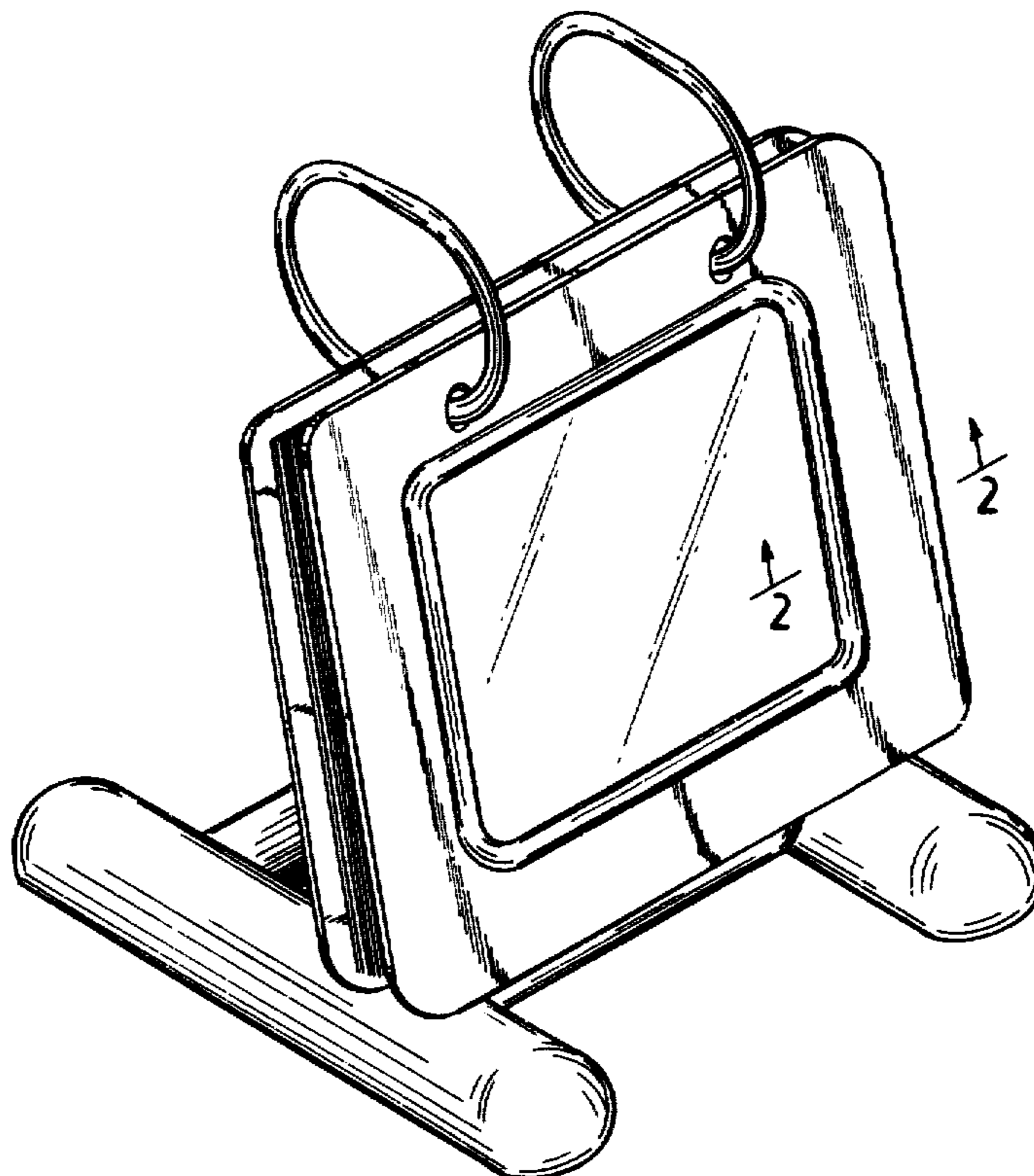
D. 142,502 10/1945 Sherr D6/234
 D. 248,964 8/1978 Kizlauskas D19/20
 3,771,247 11/1973 De Harak D6/232

[57] CLAIM

The ornamental design for a photograph display, as shown and described.

DESCRIPTION

FIG. 1 is a perspective view of a photograph display showing my new design;
 FIG. 2 is a cross-sectional view thereof taken along lines 2-2 in FIG. 1;
 FIG. 3 is a side elevational view;
 FIG. 4 is a rear perspective view;
 FIG. 5 is a top plan view.



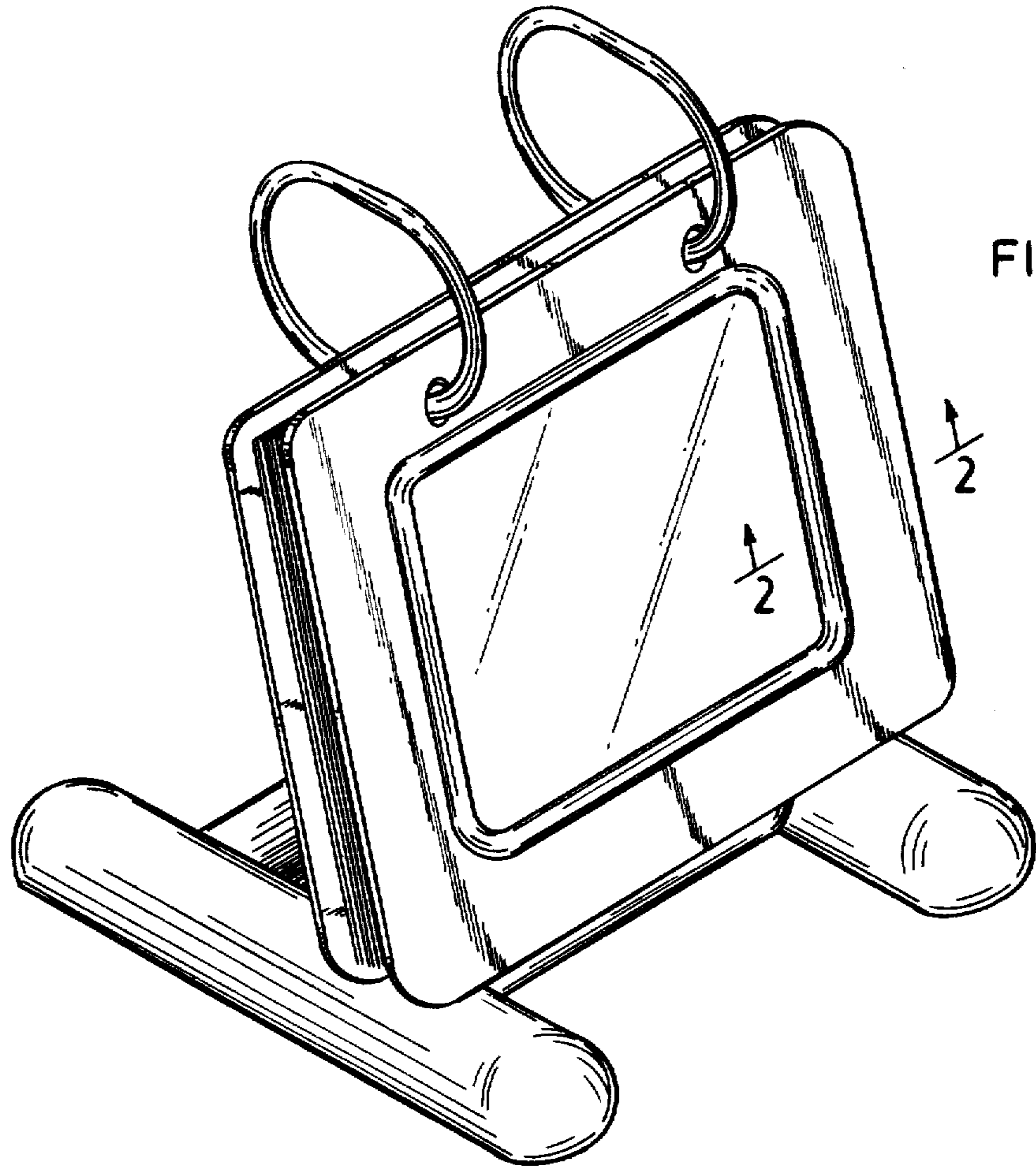


FIG. 1



FIG. 2

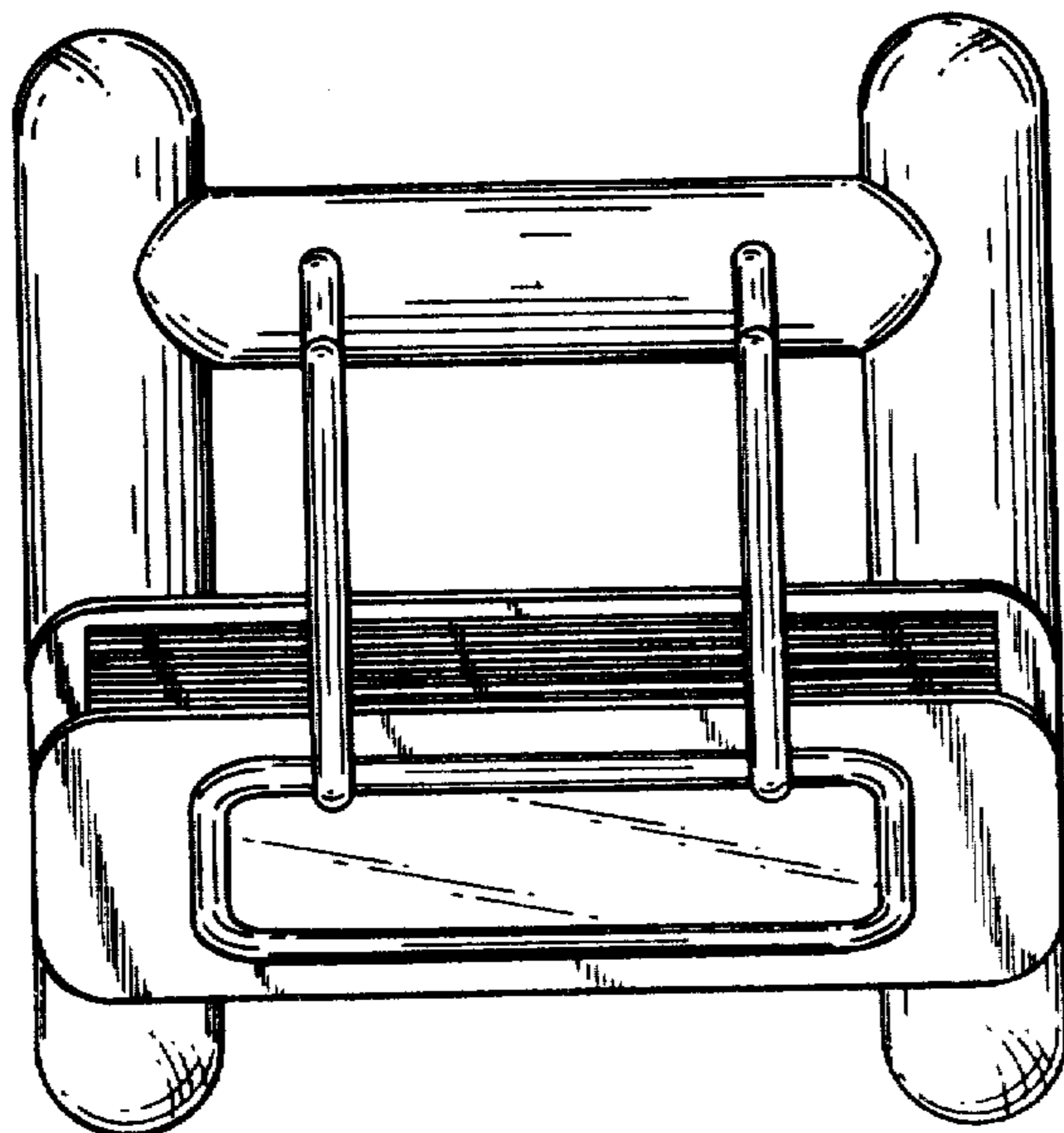


FIG. 5

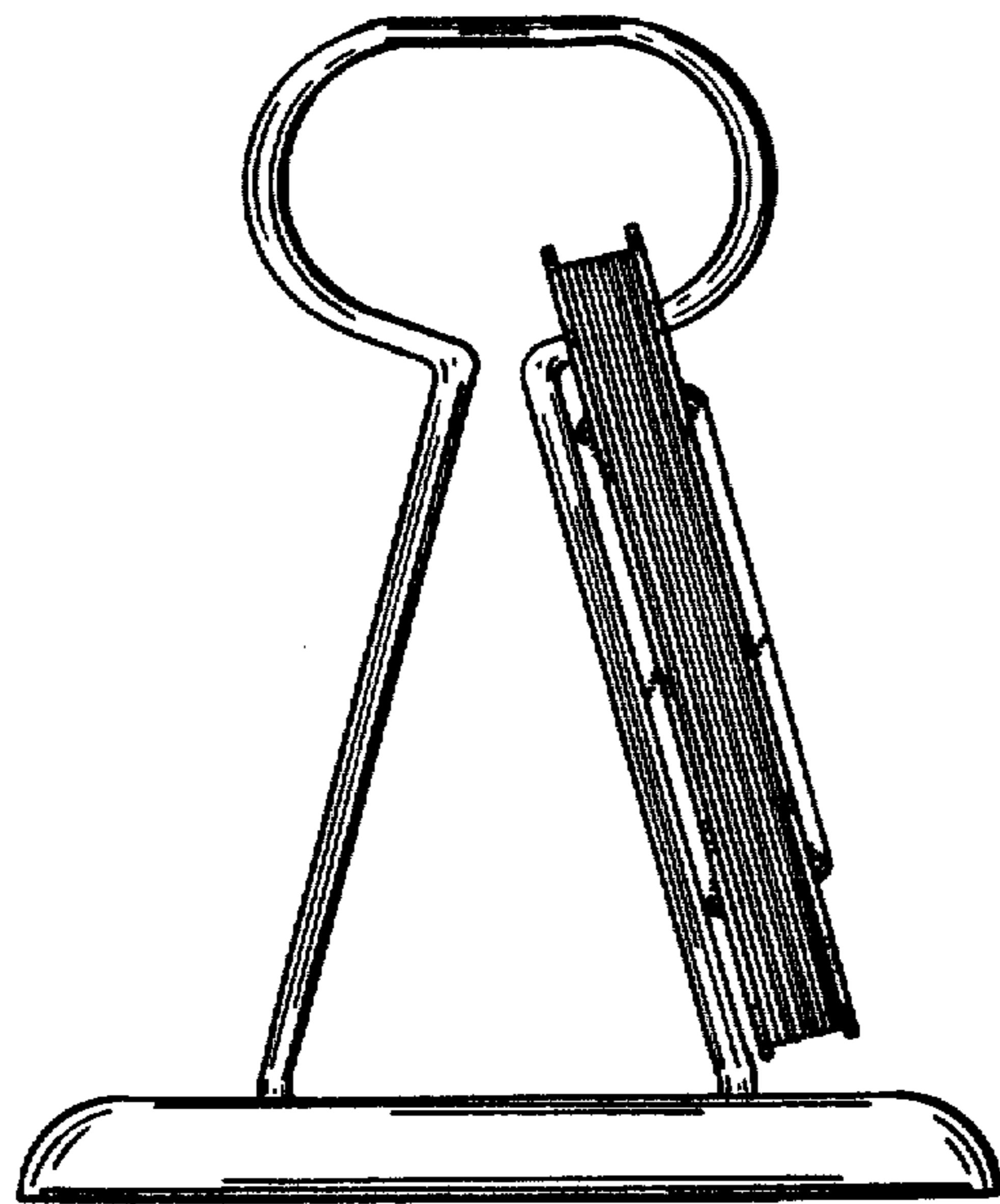


FIG. 3

FIG. 4

