

[54] FLUSH MOUNTED DRAWING IMPLEMENT HOLDER

D. 207,823 5/1967 Eskew D6/140
D. 264,225 5/1982 Hermes D19/85

[76] Inventor: Tim Basaldua, Jr., 1911 W. Wabansia Ave., Chicago, Ill. 60622

Primary Examiner—George P. Word
Attorney, Agent, or Firm—Burmeister, York, Palmatier, Hamby & Jones

[**] Term: 14 Years

[21] Appl. No.: 273,658

[57] CLAIM

[22] Filed: Jun. 15, 1981

The ornamental design for a drawing implement holder for mounting on a drawing table, as shown and described.

[51] Int. Cl. D6—99

DESCRIPTION

[52] U.S. Cl. D6/113; D6/114; D19/77

[58] Field of Search D19/35, 36, 75, 77-85, D19/90; D6/140, 113, 114; 211/69, 69.1, 60 R, 60 G, 87-88; D8/396

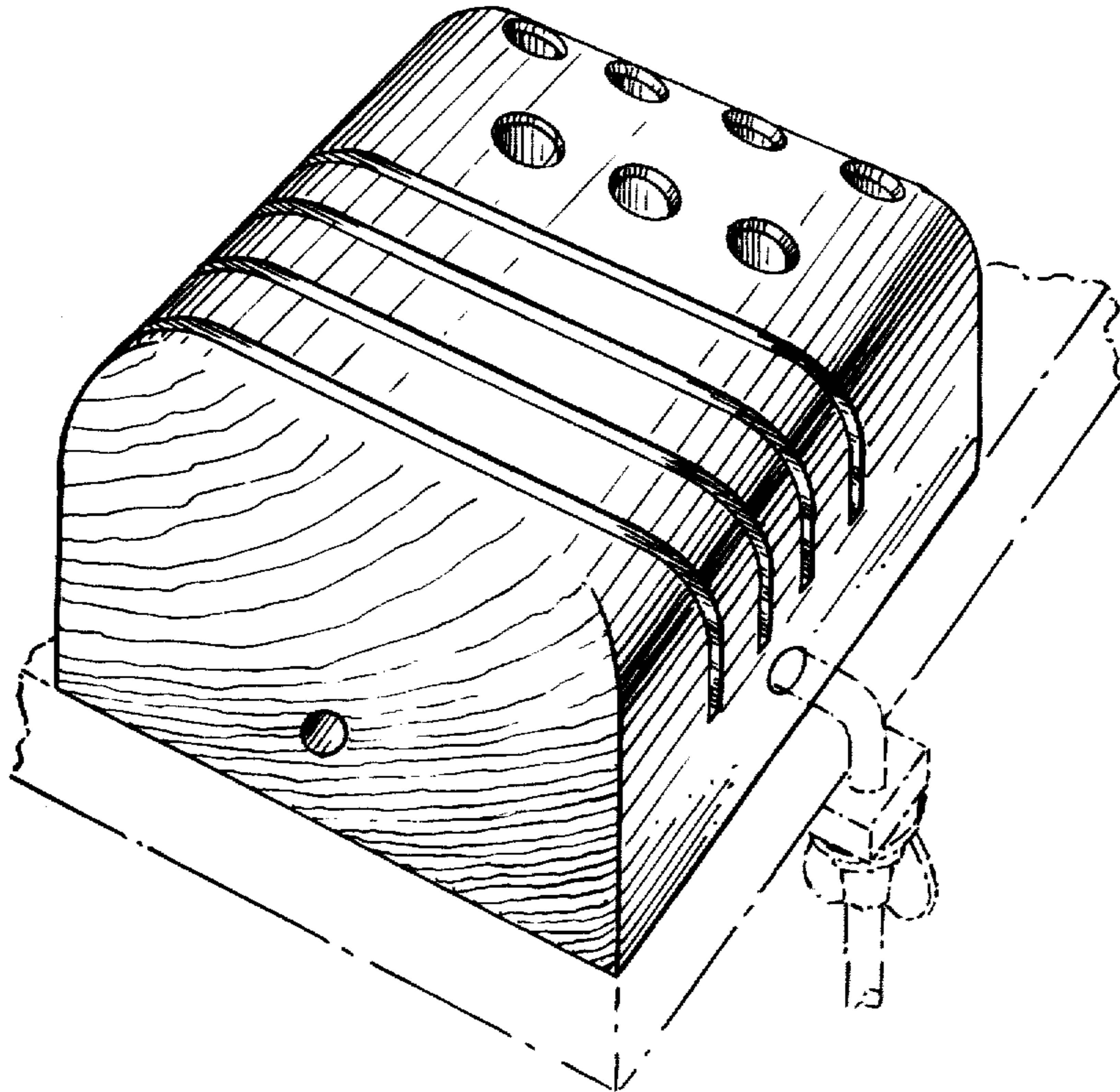
FIG. 1 is a perspective view of a drawing implement holder for mounting on a drawing table showing my new design, the dotted line disclosure being for illustrative purposes only and not a part of the design;

[56] References Cited

U.S. PATENT DOCUMENTS

- D. 146,470 3/1947 Fresco D19/77
- D. 160,161 9/1950 Gass D19/77
- D. 165,645 1/1952 Fretz, Jr. D19/85

FIG. 2 is a top plan view thereof;
FIG. 3 is a right side elevational view the opposite side being a mirror image thereof;
FIG. 4 is a front elevational view thereof;
FIG. 5 is a rear elevational view thereof; and
FIG. 6 is a bottom plan view thereof.



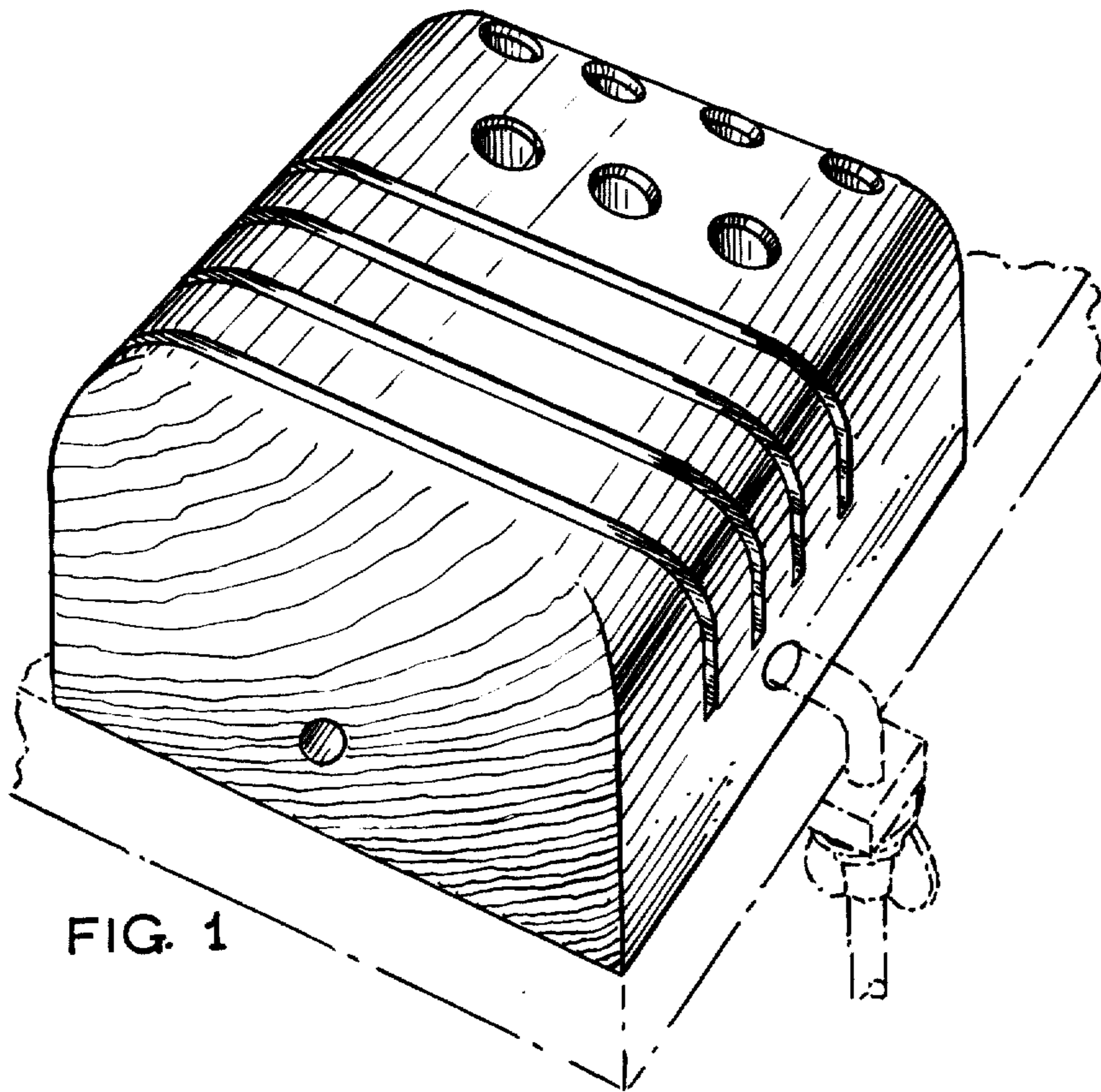


FIG. 1

FIG. 3

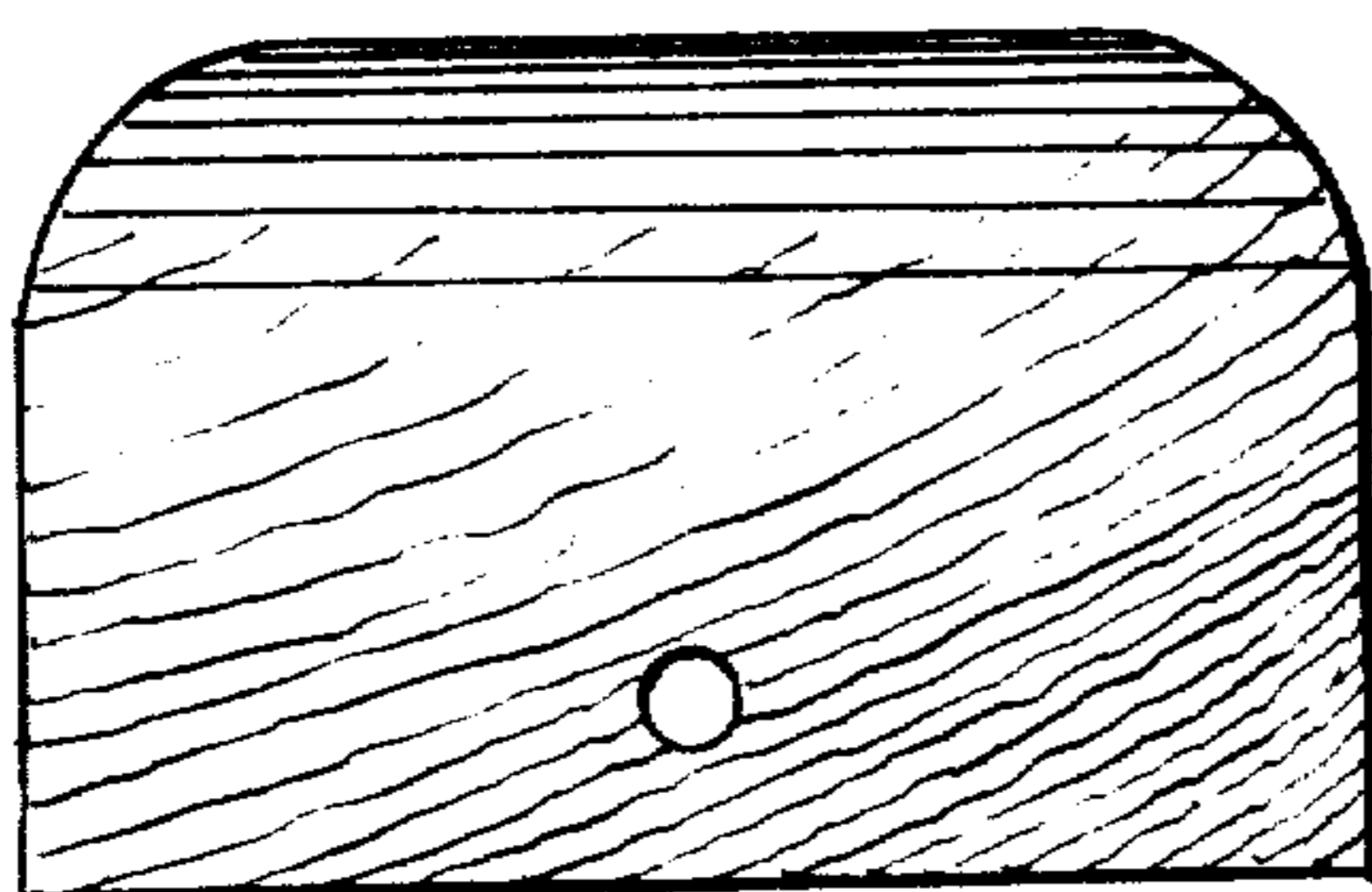
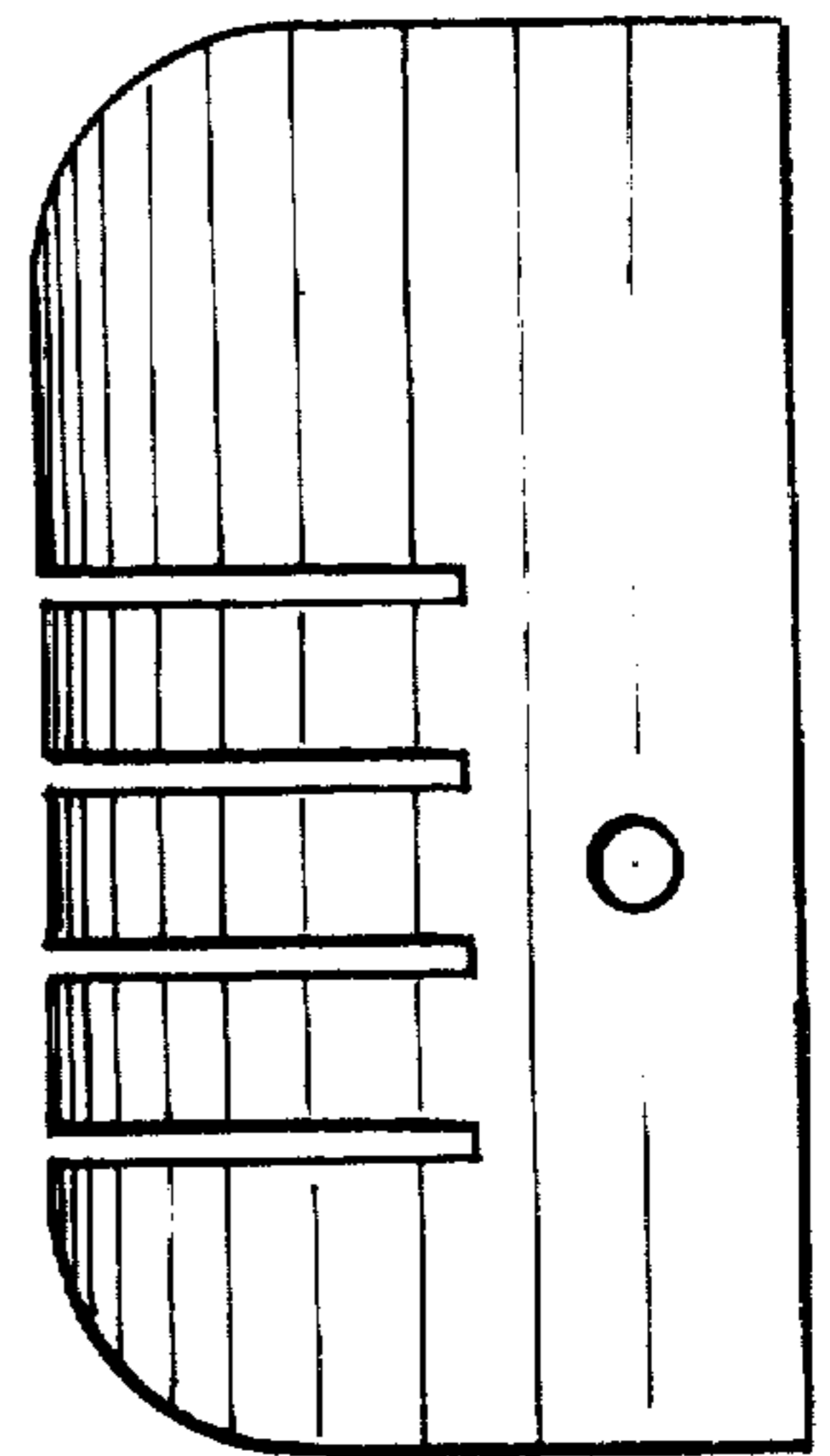


FIG. 4

FIG. 5

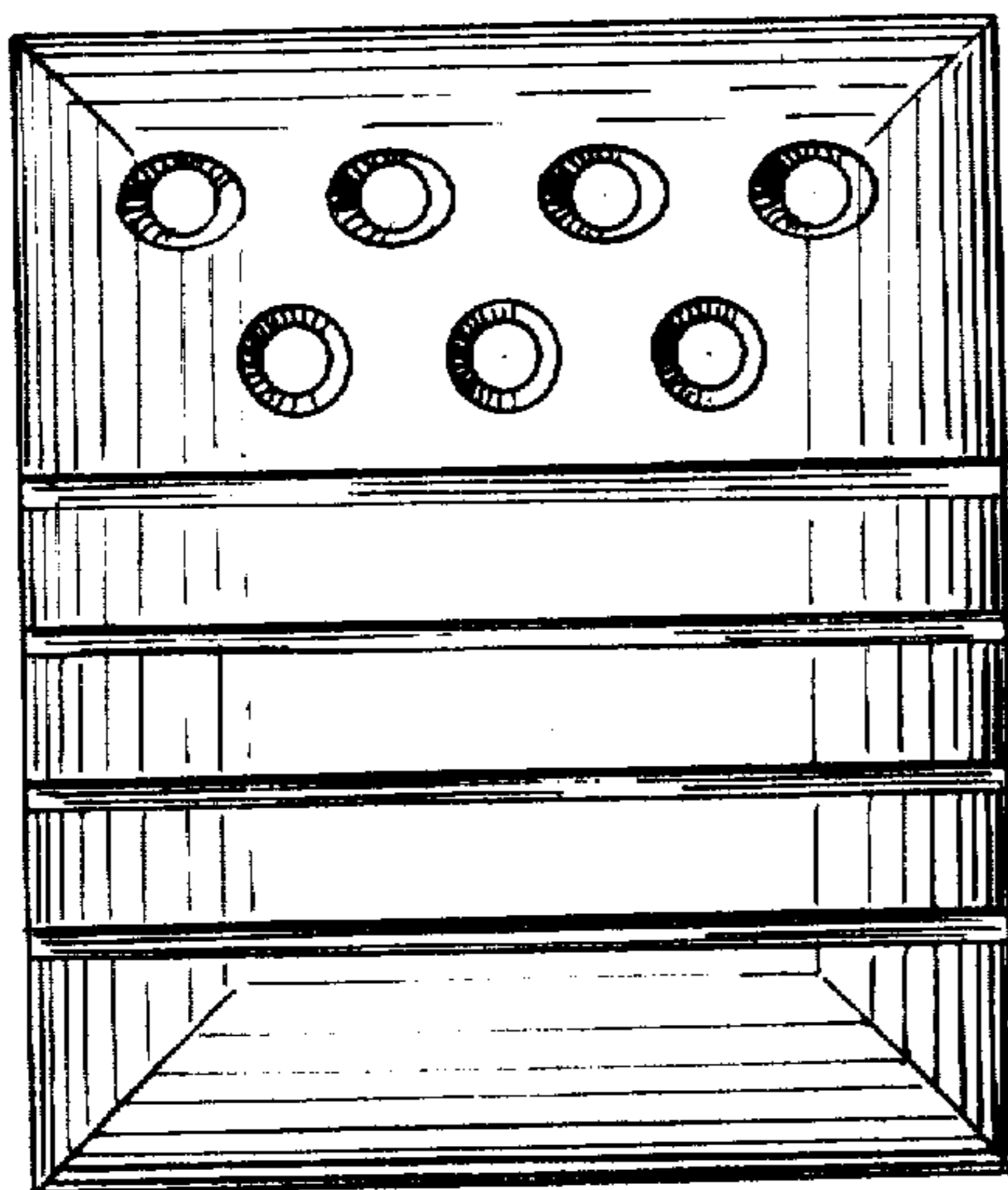
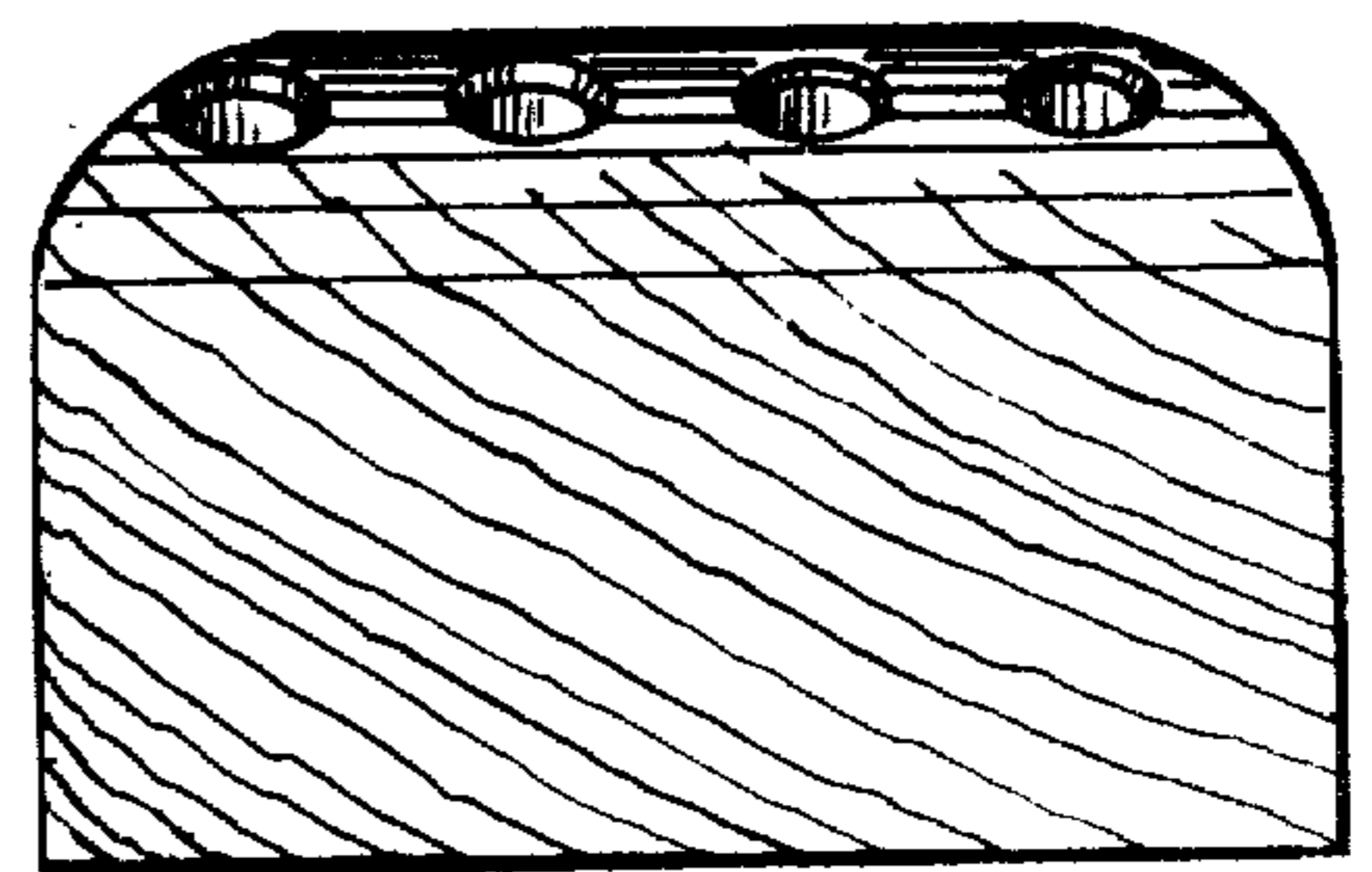


FIG. 2

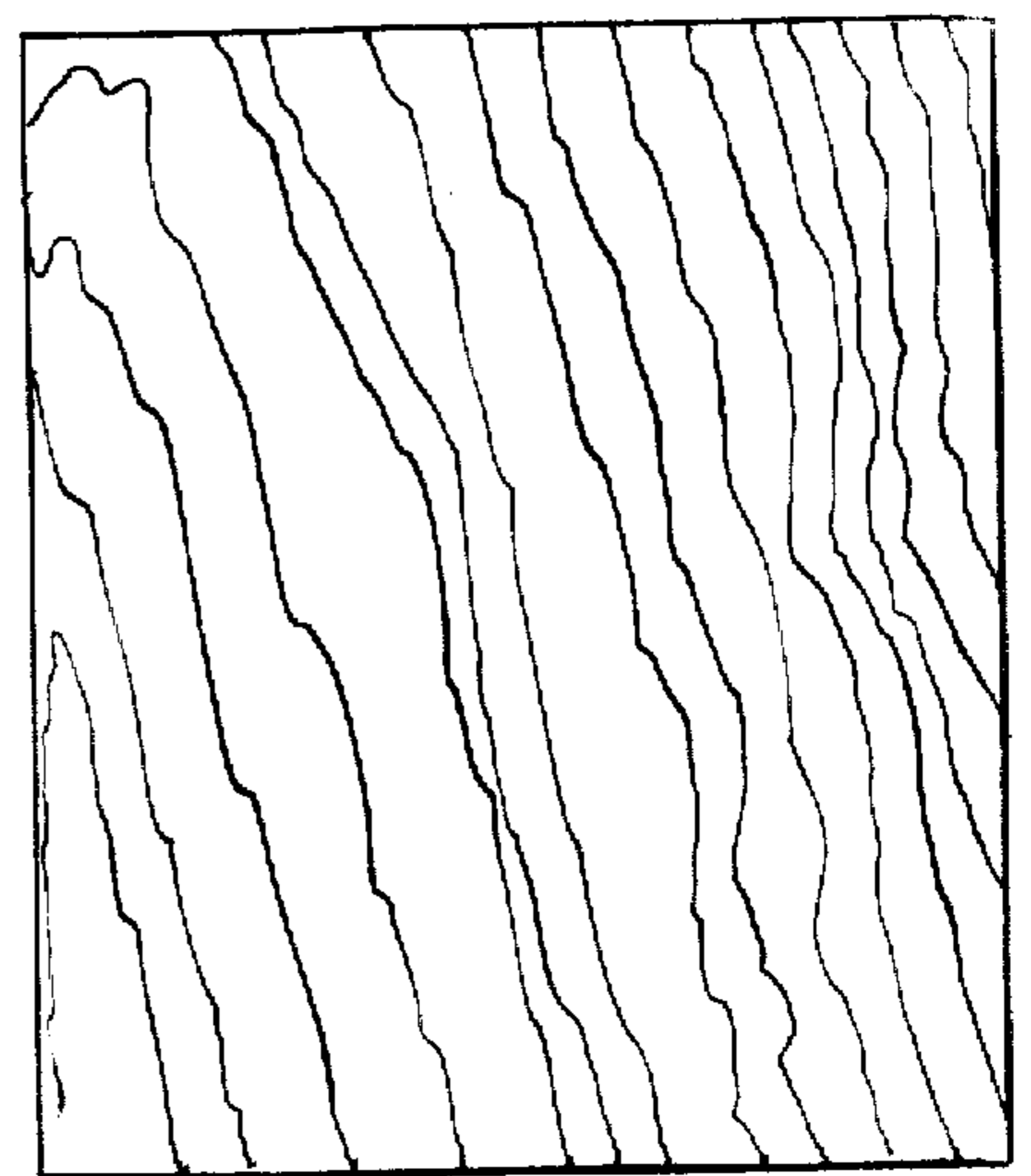


FIG. 6