

[54] **SOFA**

[75] **Inventor: Jan H. Matthias, Beverly Hills, Calif.**

[73] **Assignee: Casa Bella Imports, Inc., Miami, Fla.**

[**] **Term: 14 Years**

[21] **Appl. No.: 293,398**

[22] **Filed: Aug. 17, 1981**

[51] **Int. Cl. D6—01**

[52] **U.S. Cl. D6/63**

[58] **Field of Search D6/47-78;
297/432, 433**

[56]

References Cited

U.S. PATENT DOCUMENTS

D. 263,353 3/1982 Beals D6/60
763,617 6/1904 Lennon D6/61 X

OTHER PUBLICATIONS

Interiors, Mar. 1979, p. 44, Sofa by Boardman.

Primary Examiner—Bruce W. Dunkins

Attorney, Agent, or Firm—Eric T. S. Chung

[57]

CLAIM

The ornamental design for a sofa, as shown and described.

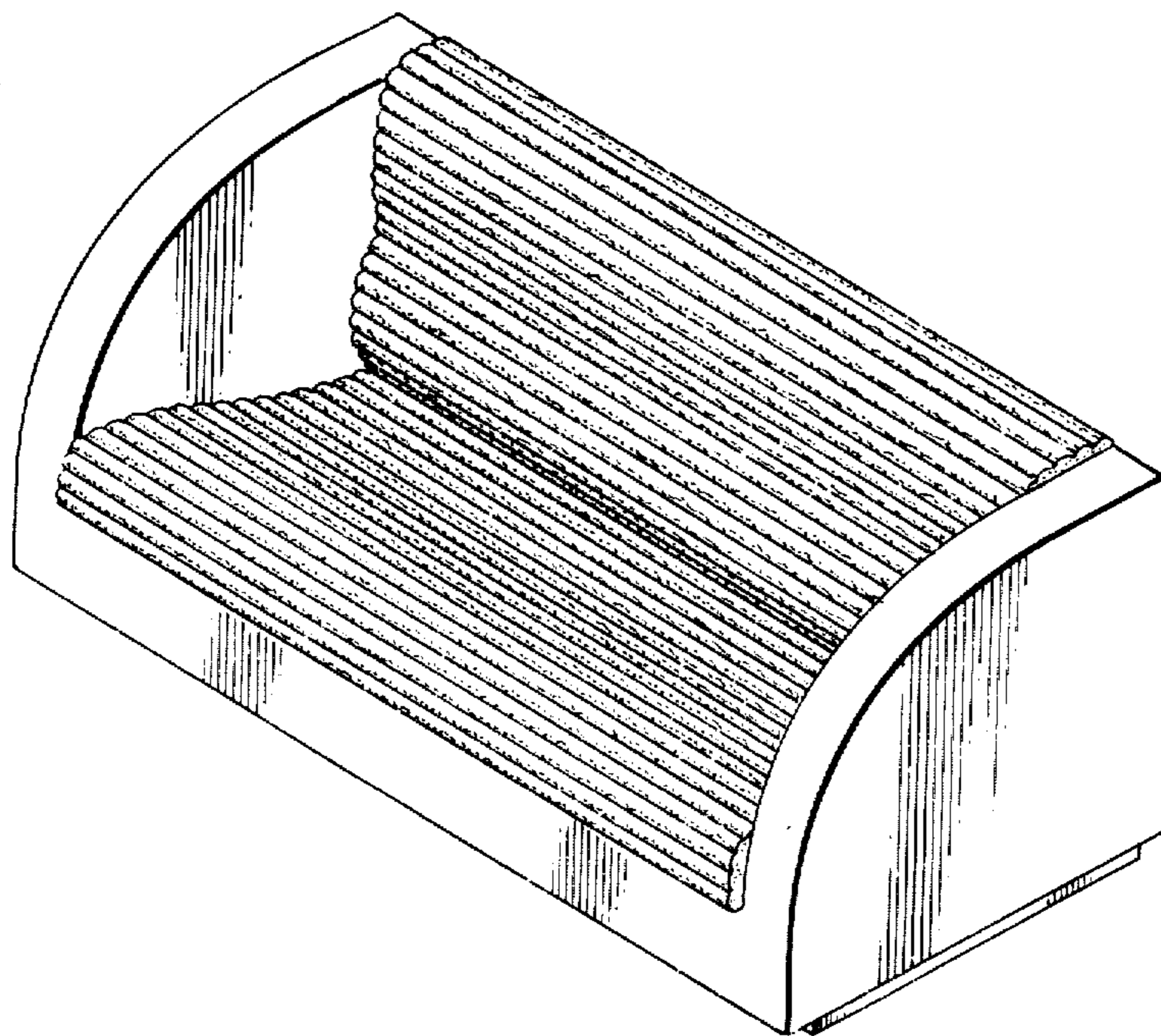
DESCRIPTION

FIG. 1 is a top perspective view of a sofa showing my new design;

FIG. 2 is a side plan view thereof;

FIG. 3 is a back plan view thereof; and

FIG. 4 is a bottom plan view thereof.



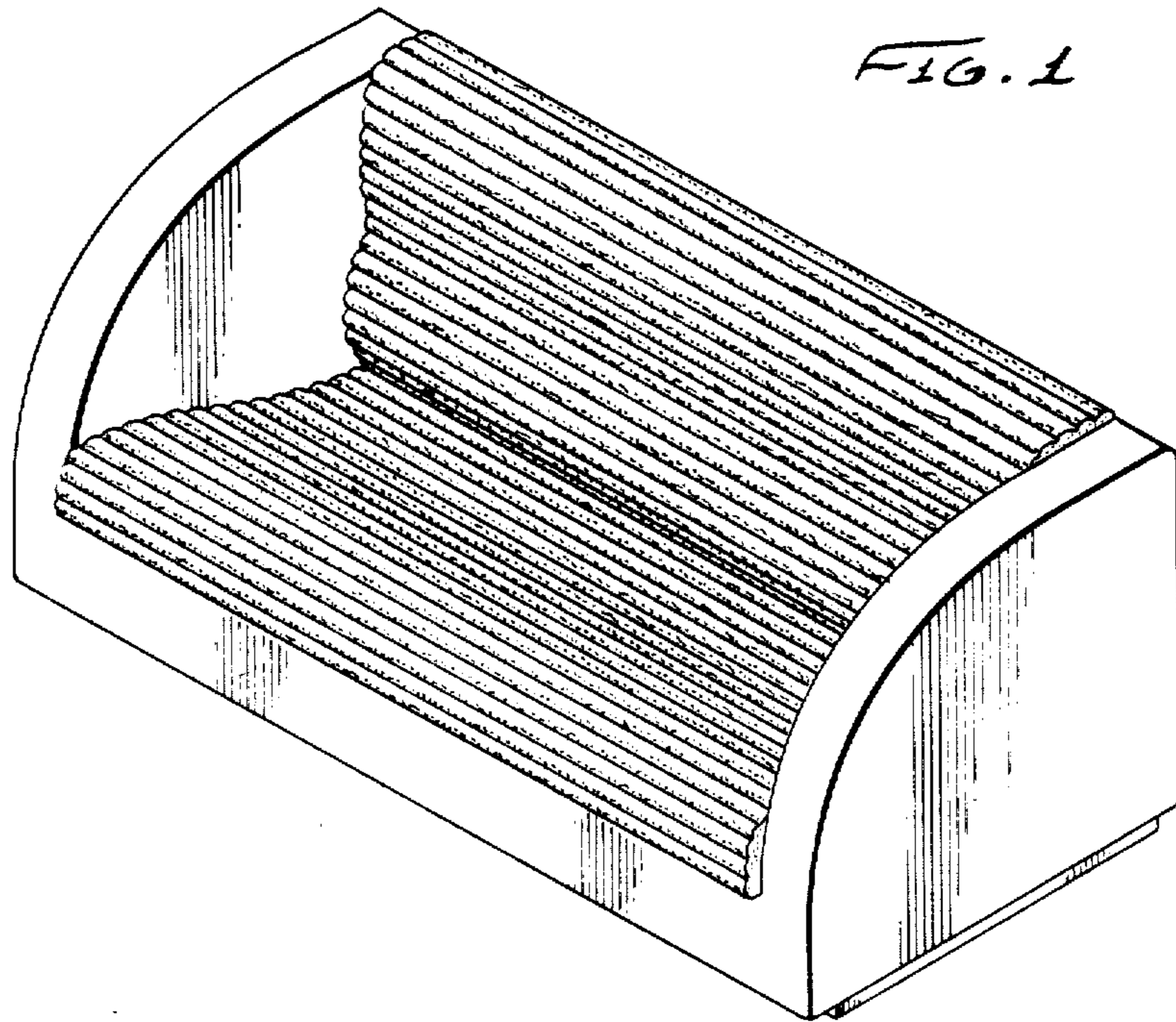


FIG. 1

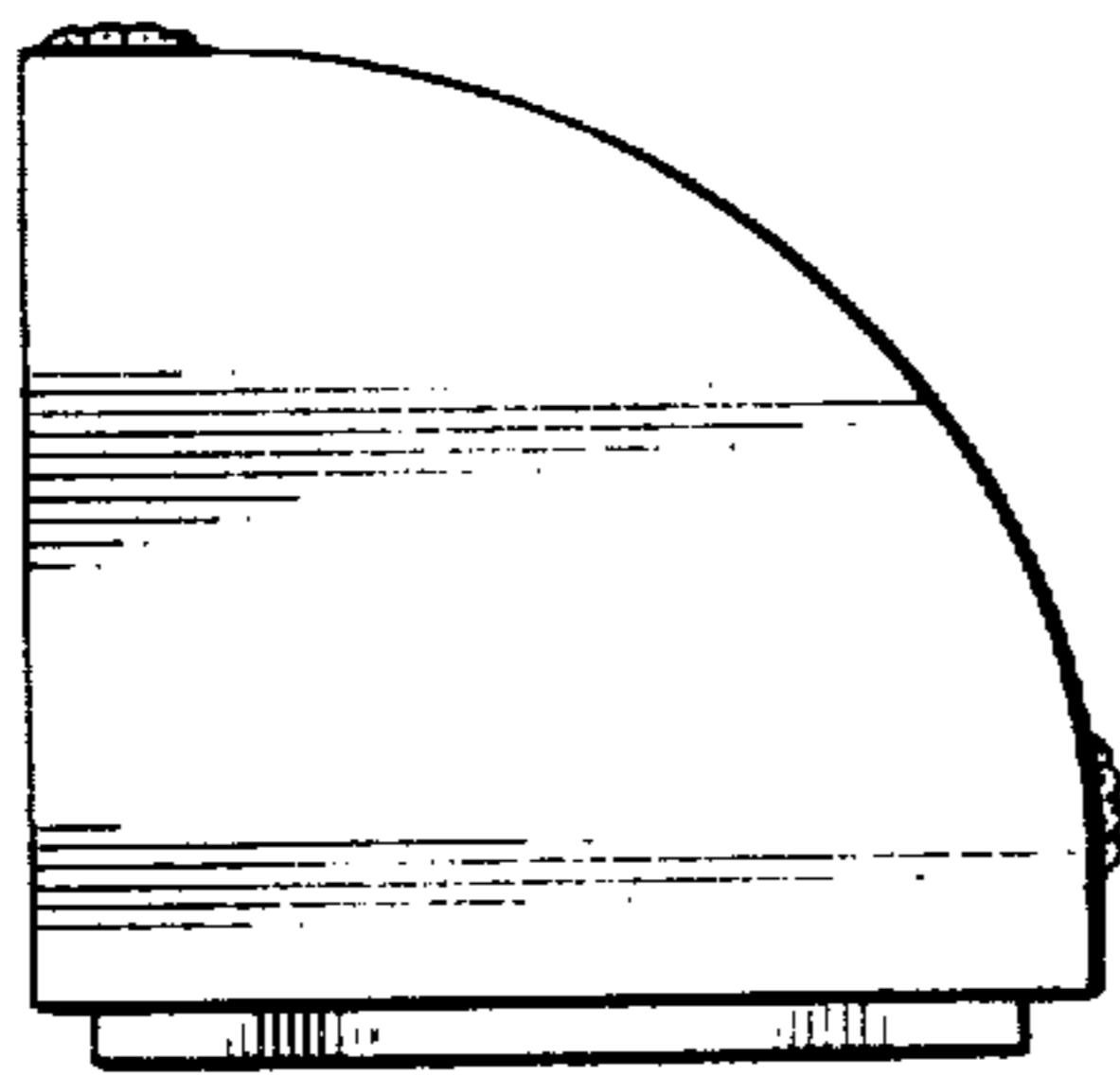


FIG. 2

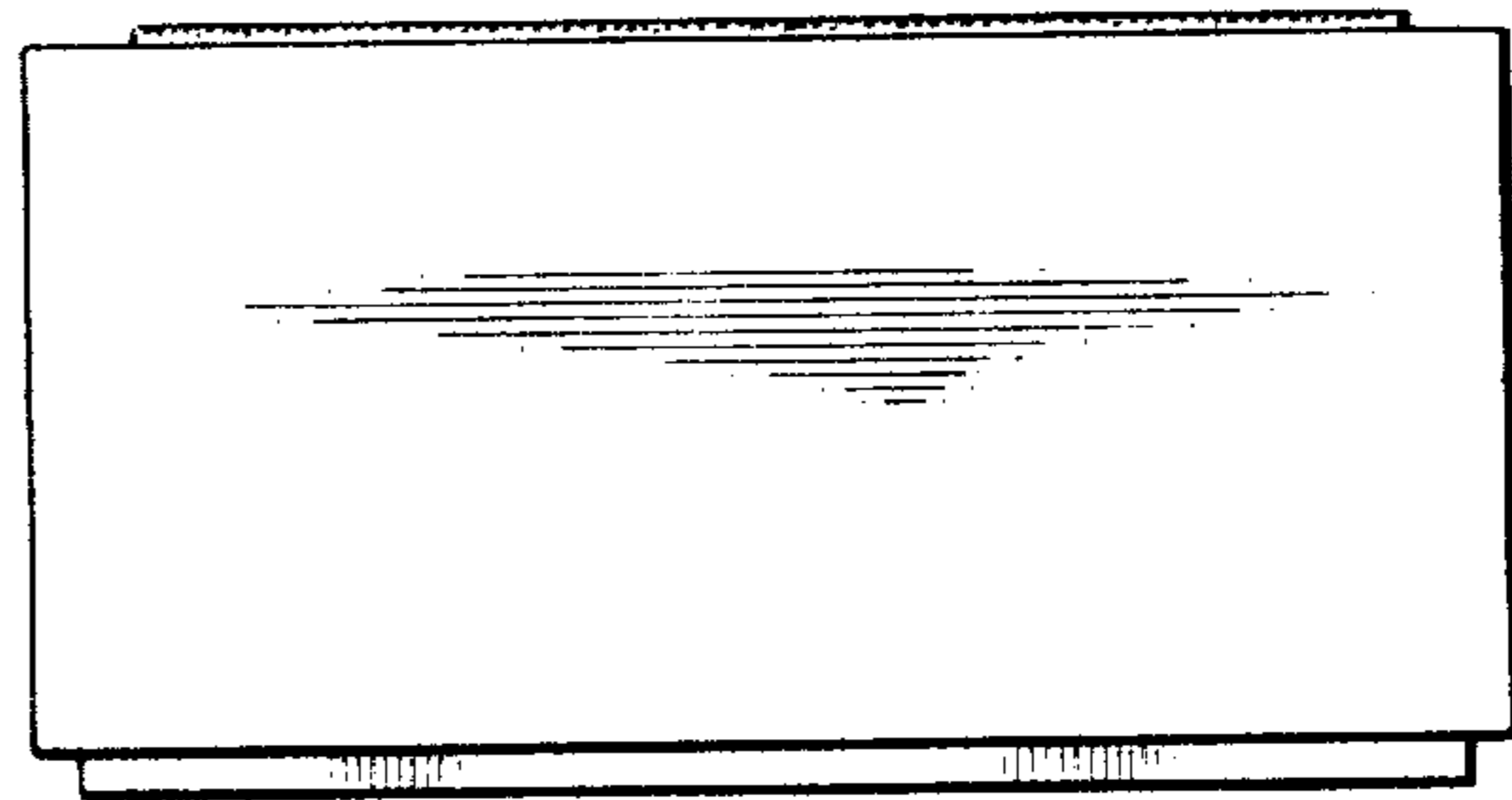


FIG. 3

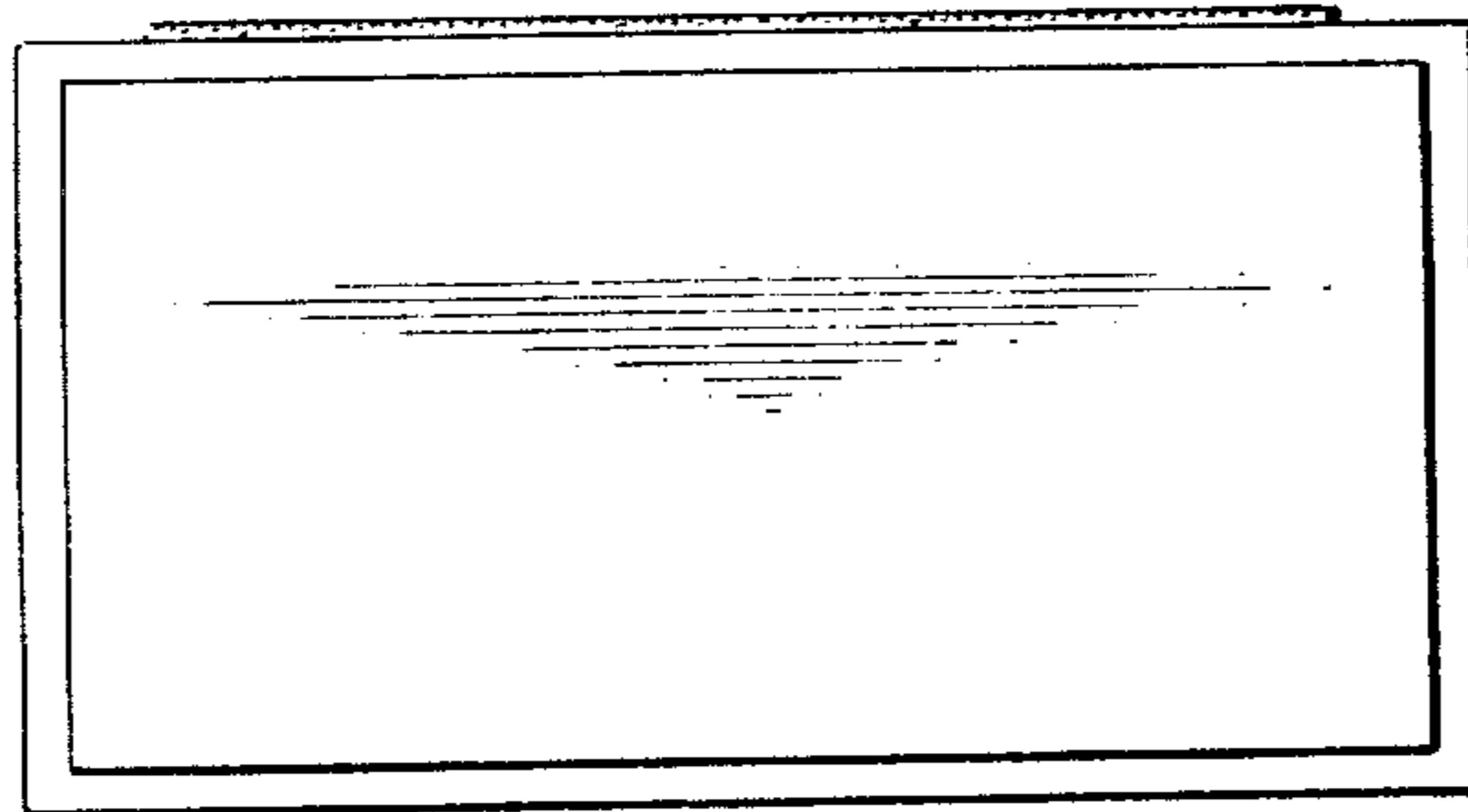


FIG. 4