

[54] COMBINED SNACK TRAY AND LITTER BASKET FOR AN AUTOMOBILE

D. 264,525 5/1982 Page, Jr. D3/40
3,561,589 2/1971 Larkkin, Jr. et al. D3/40

[76] Inventor: Gary L. Rockwell, 205 Willowcrest Way, LaGrange, Ga. 30240

Primary Examiner—George P. Word
Attorney, Agent, or Firm—Hubbell, Cohen, Stiefel & Gross

[**] Term: 14 Years

[57] CLAIM

[21] Appl. No.: 348,269

The ornamental design for a combined snack tray and litter basket for an automobile, as shown and described.

[22] Filed: Feb. 12, 1982

DESCRIPTION

[51] Int. Cl. D12-16

[52] U.S. Cl. D3/40; D3/74

[58] Field of Search D3/30.1, 40, 74;
D12/155; 224/275; D7/38

FIG. 1 is a perspective view of a combined snack tray and litter basket for an automobile showing my new design;

FIG. 2 is a left side elevational view, the opposite side being a mirror image thereof;

FIG. 3 is a top plan view;

FIG. 4 is a front elevational view thereof;

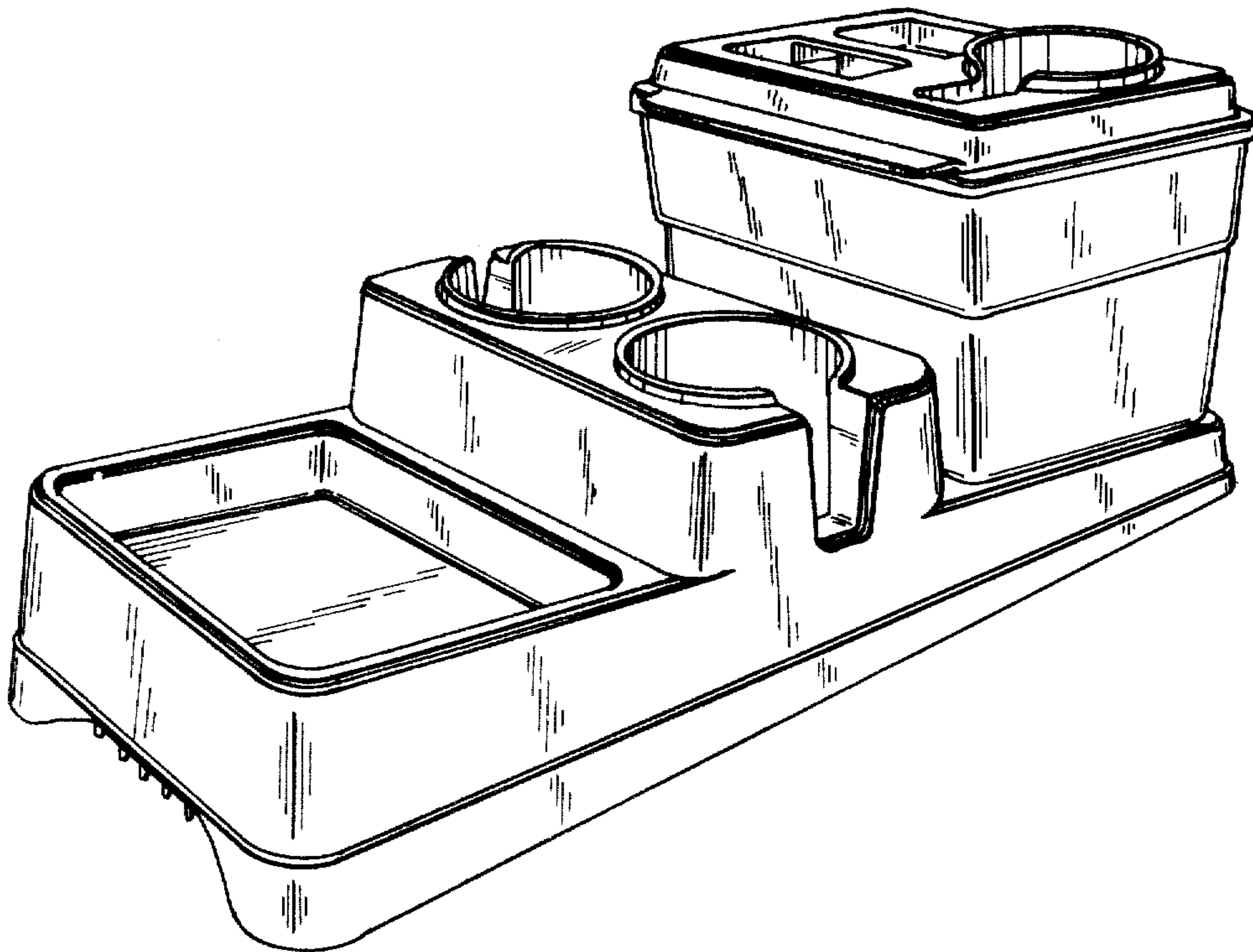
FIG. 5 is a rear elevational view thereof; and

FIG. 6 is a bottom plan view thereof.

[56] References Cited

U.S. PATENT DOCUMENTS

D. 232,870 9/1974 Fry D3/40
D. 248,056 5/1978 Nepper D3/40



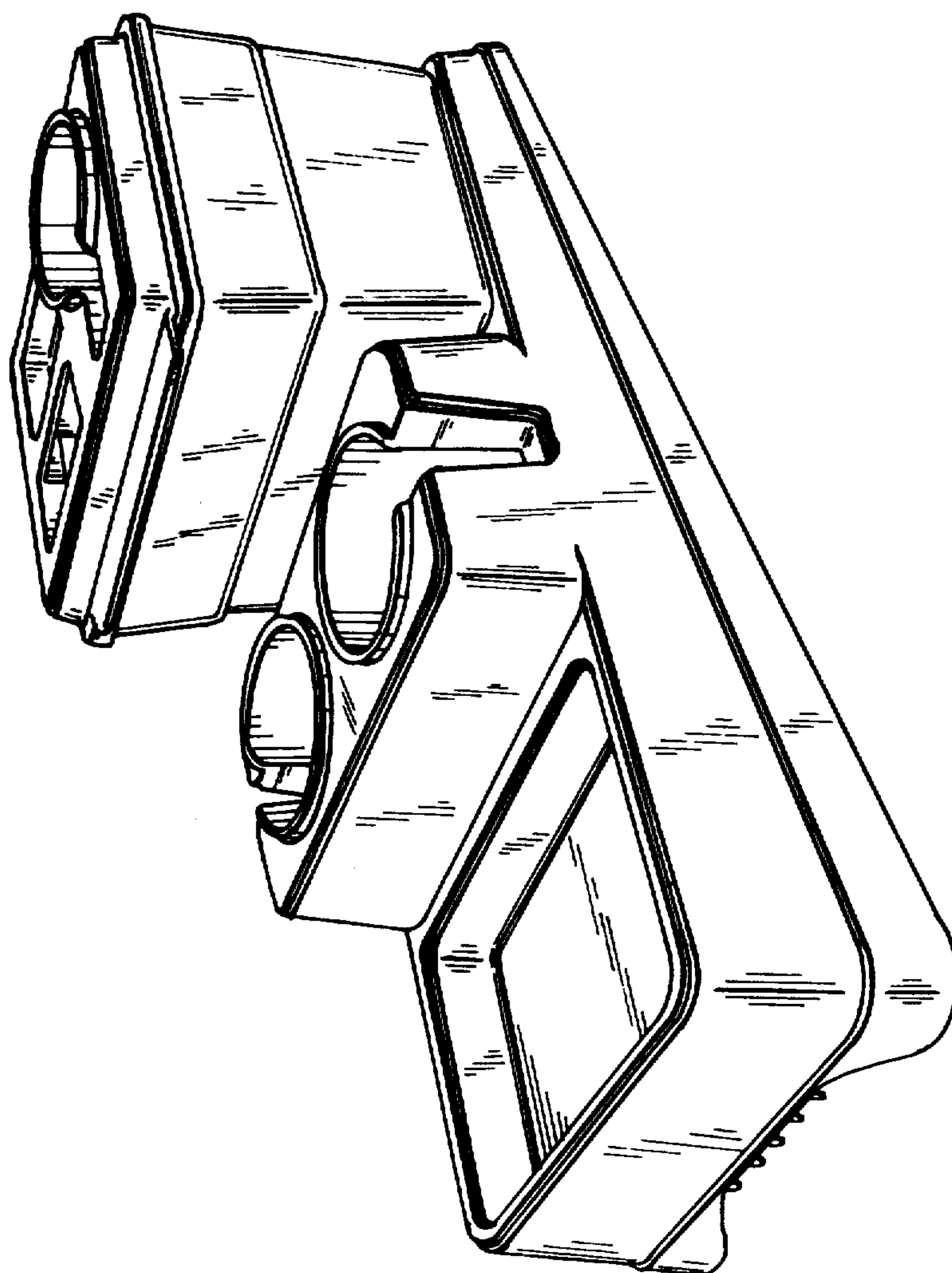


FIG. 1

FIG. 2

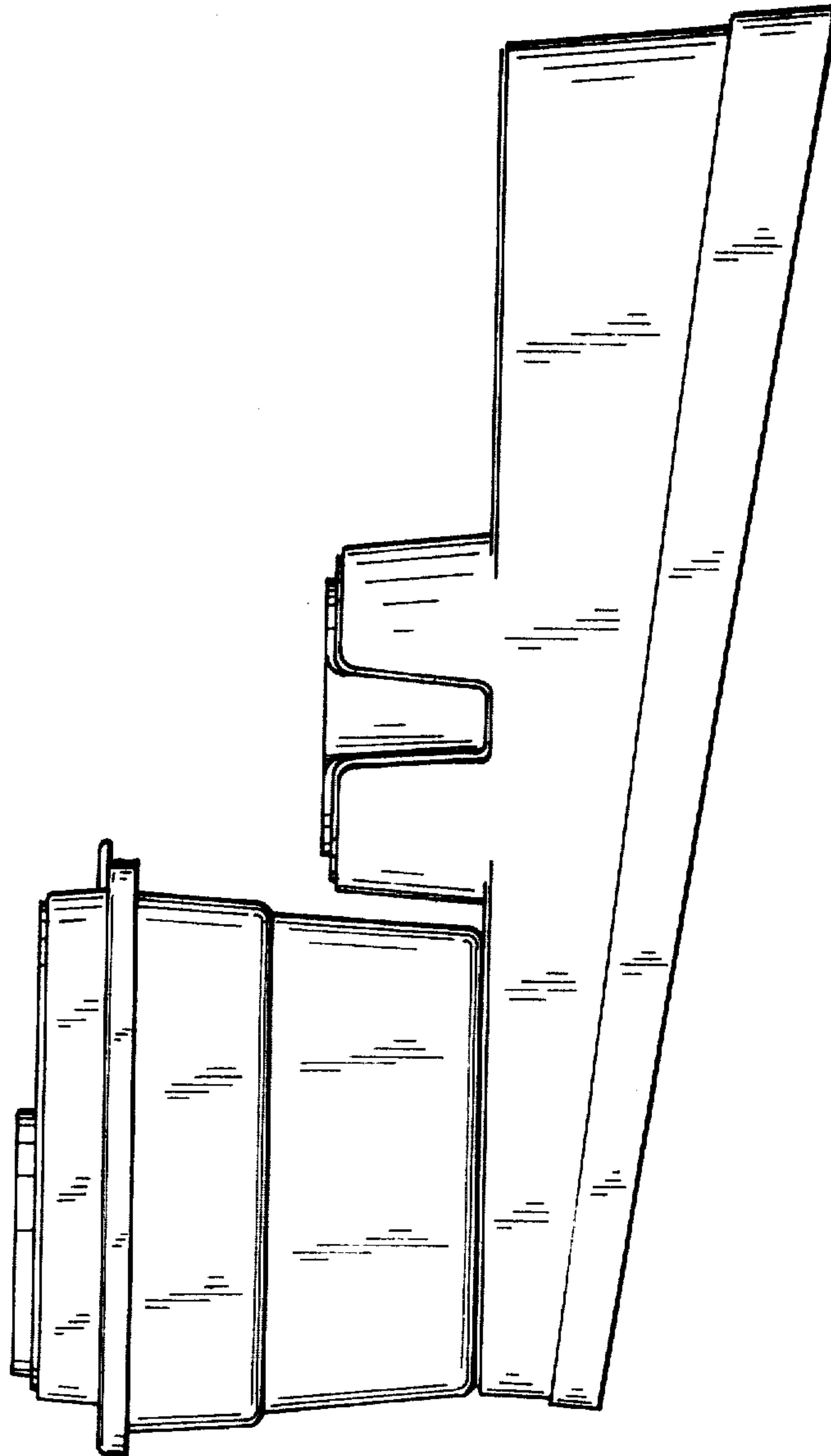


FIG. 3

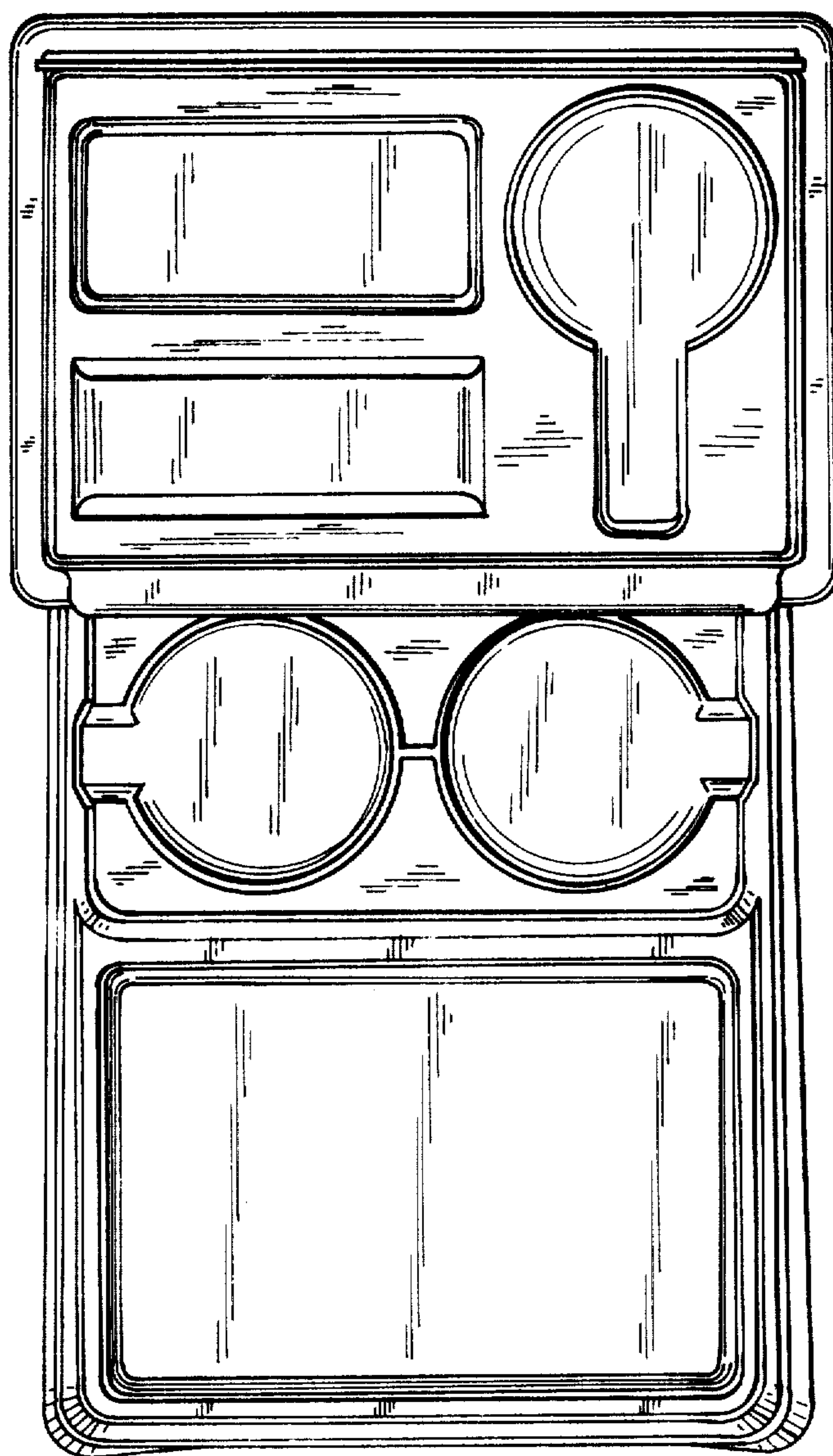


FIG. 4

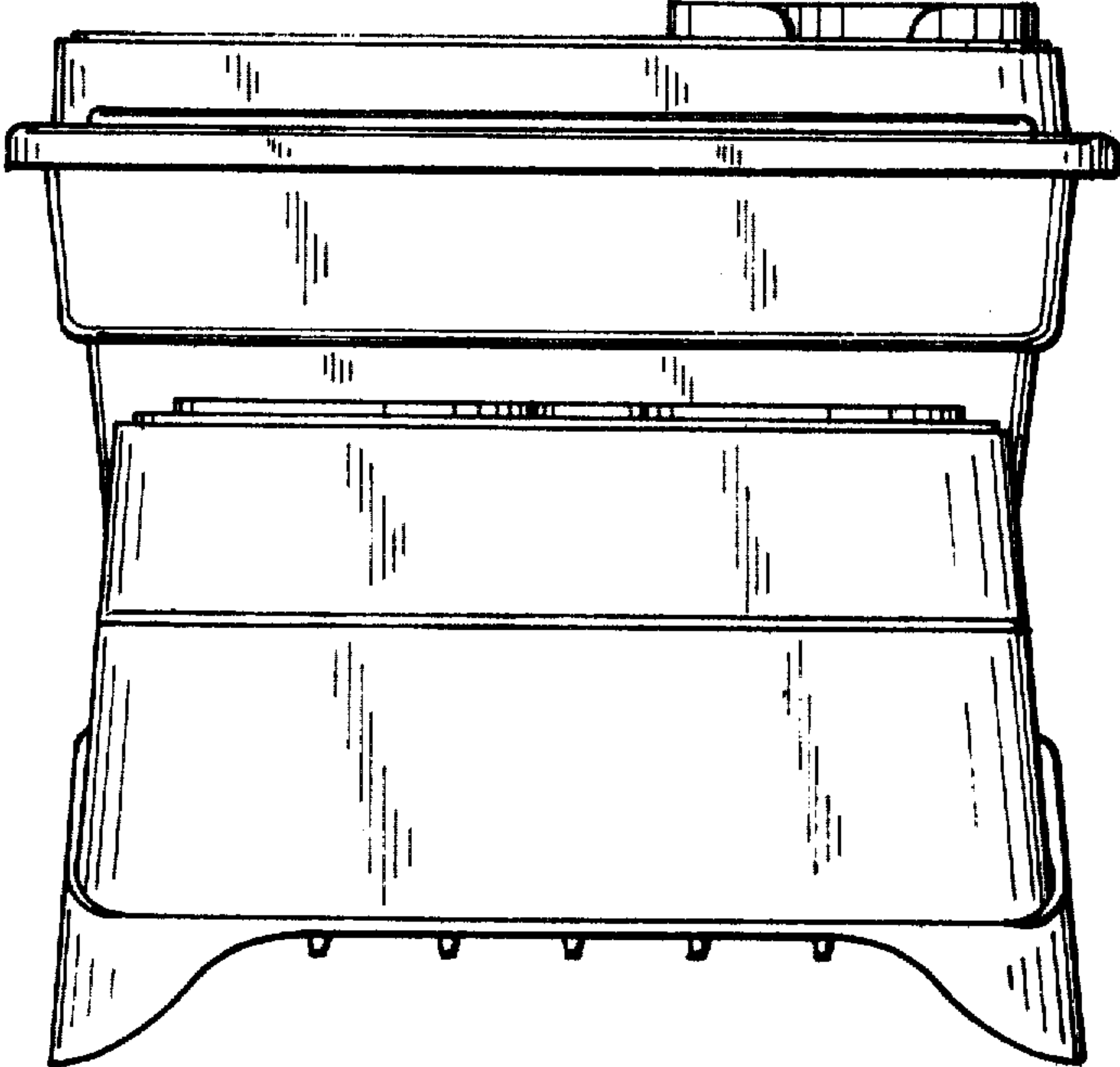


FIG. 5

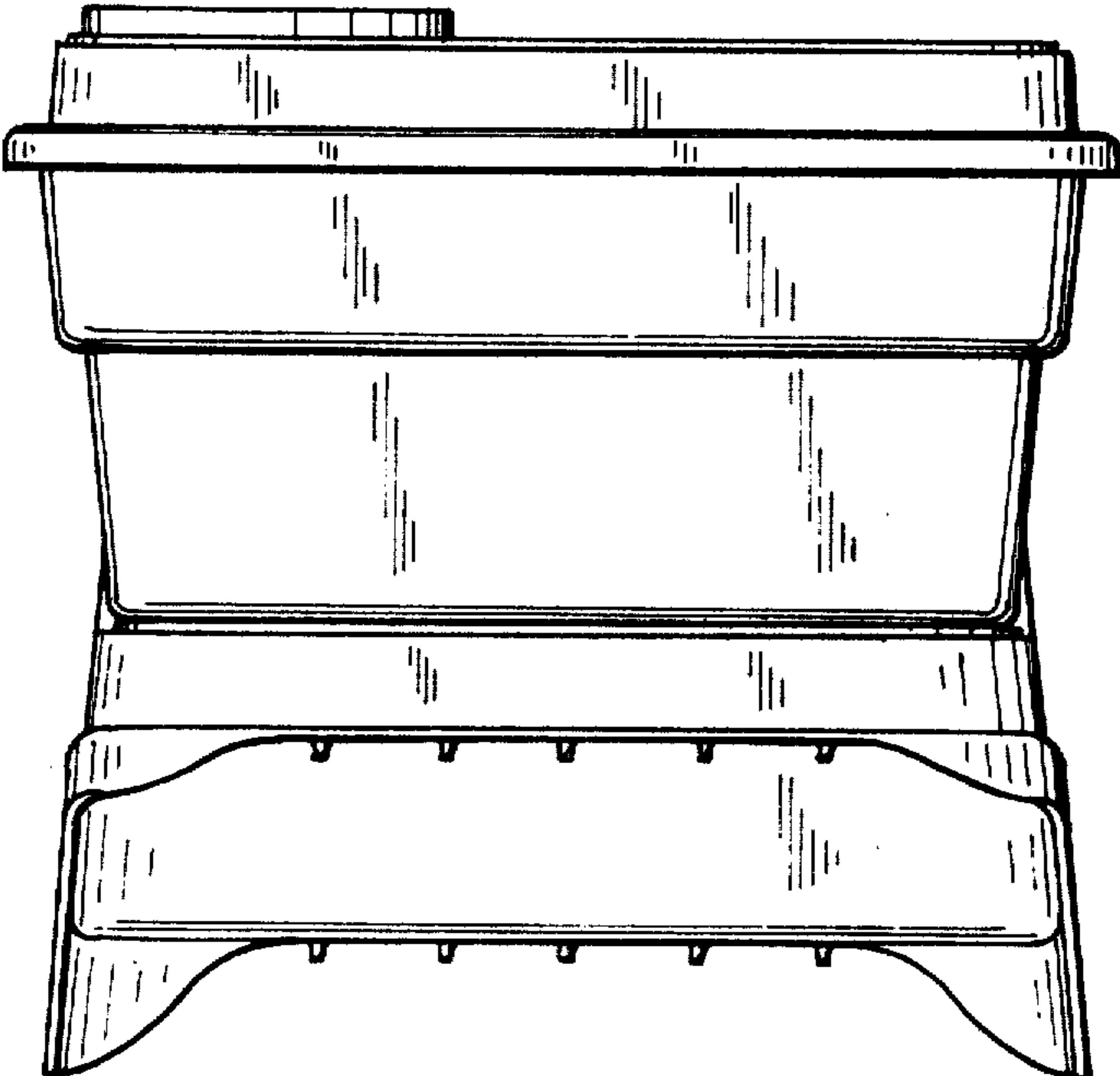


FIG. 6

