

[54] WINGED HAT

[76] Inventor: Rudy De Lozada, 84 Skyline Dr.,
Daly City, Calif. 94015

[**] Term: 14 Years

[21] Appl. No.: 255,613

[22] Filed: Apr. 20, 1981

[51] Int. Cl. D02-03

[52] U.S. Cl. D2/253; D2/252

[58] Field of Search D2/230, 241, 244, 234,
D2/247, 250, 252, 253, 260, 262, 78; 2/171,
171.1, 171.2, 171.4, 171.6, 171.7, 171.8, 175,
177, 192, 195, 198, 199, 200, 209.1

[56] References Cited

U.S. PATENT DOCUMENTS

D. 246,876 1/1978 Warenback D2/247
3,184,757 5/1965 Pennington D2/230 X
4,335,471 6/1982 Quigley, Jr. et al. D2/241 X

Primary Examiner—Joel Stearman
Assistant Examiner—Carmen H. Vales
Attorney, Agent, or Firm—Townsend and Townsend

[57] CLAIM

The ornamental design for a winged hat, as shown and described.

DESCRIPTION

FIG. 1 is a side elevational view of a winged hat showing my new design;
FIG. 2 is a top plan view thereof; and
FIG. 3 is a side elevational view in open position, the broken line showing of a human profile is for convenience of illustration only.

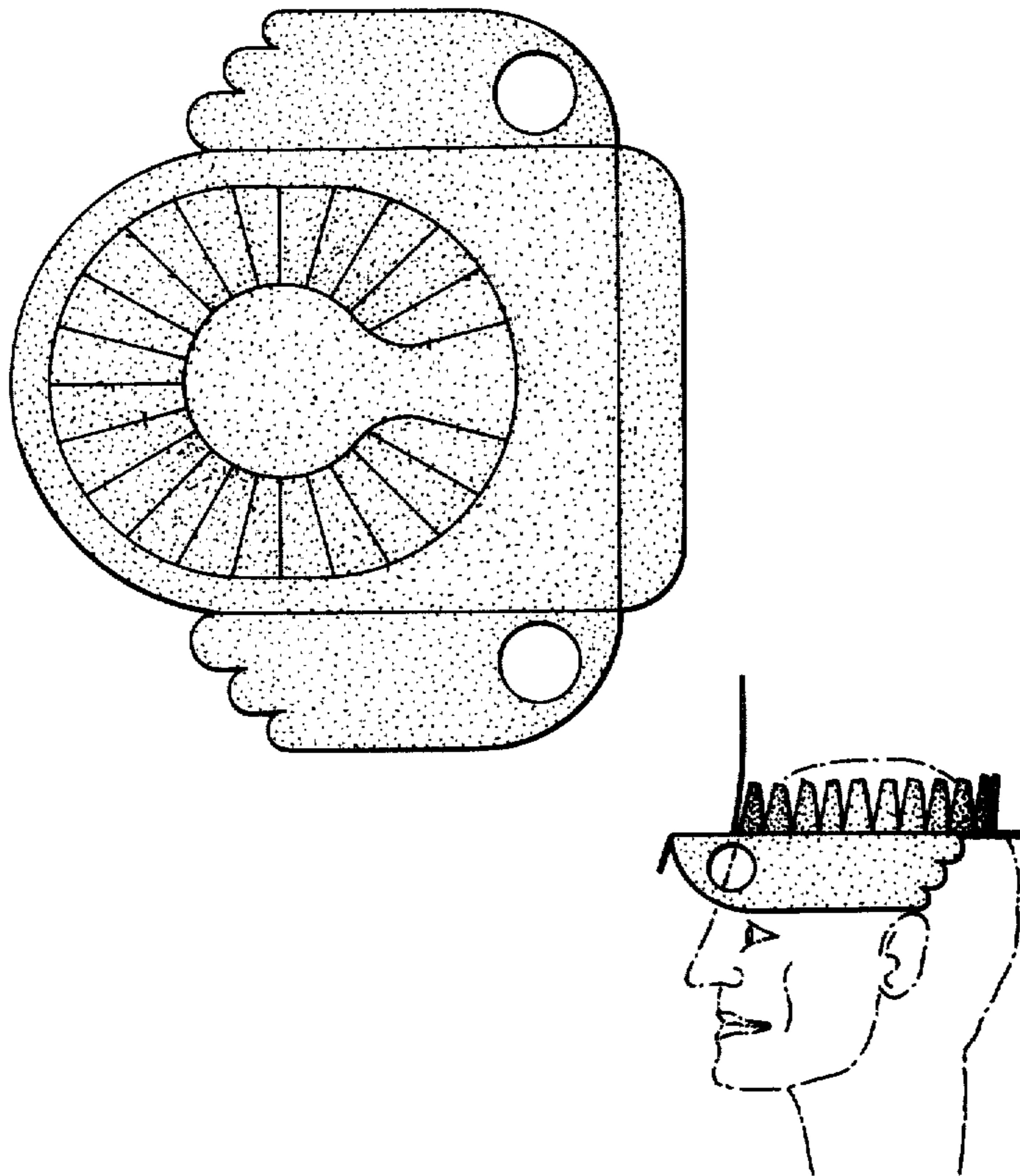


FIG. 1.

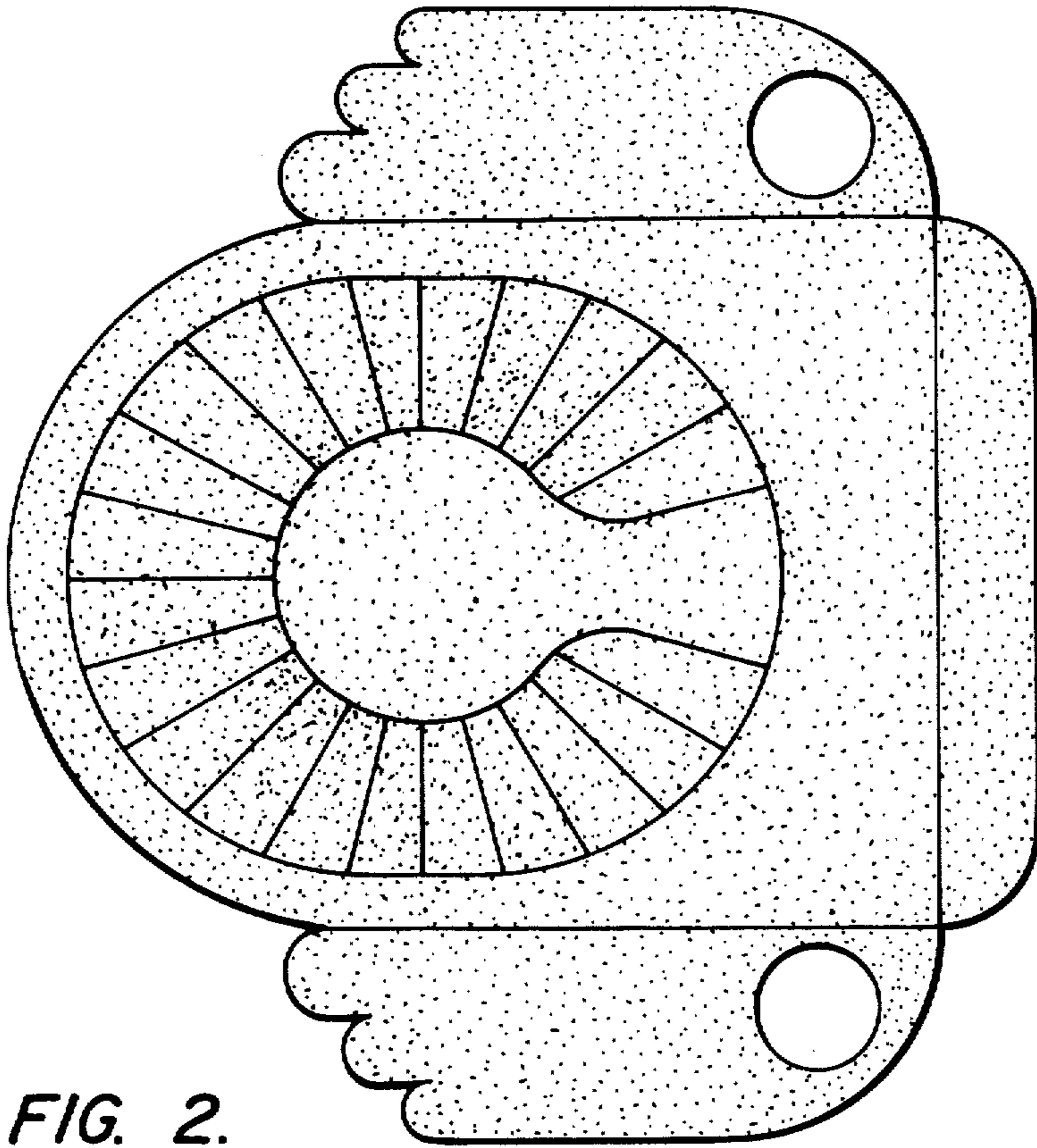


FIG. 2.

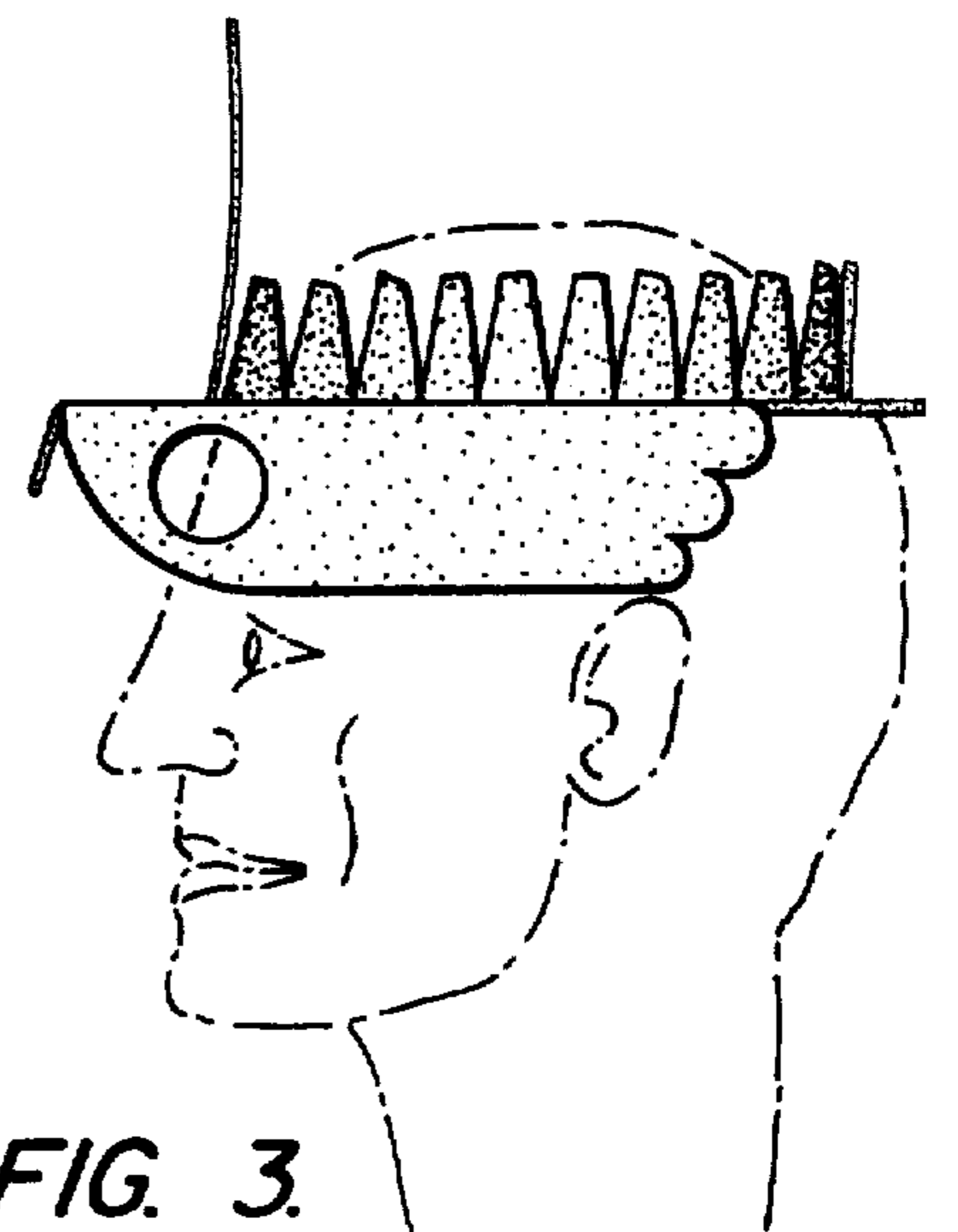


FIG. 3.