

[54] SPACE HAT
 [76] Inventor: Rudy De Lozada, 84 Skyline Dr.,
 Daly City, Calif. 94015
 [**] Term: 14 Years
 [21] Appl. No.: 255,614
 [22] Filed: Apr. 20, 1981
 [51] Int. Cl. D02-03
 [52] U.S. Cl. D2/253; D2/252
 [58] Field of Search D2/230, 241, 234, 244,
 D2/247, 250, 252, 253, 260, 262, 78; 2/171,
 171.1, 171.4, 171.5, 171.6, 171.7, 171.8, 175,
 177, 192, 195, 198, 199, 200, 209.1

[56] **References Cited**
 U.S. PATENT DOCUMENTS
 D. 246,876 1/1978 Warenback D2/247

4,335,471 6/1982 Quigley, Jr. et al. D2/241 X

FOREIGN PATENT DOCUMENTS

416163 9/1934 United Kingdom D2/234 X

Primary Examiner—Joel Stearman
Assistant Examiner—Carmen H. Vales
Attorney, Agent, or Firm—Townsend and Townsend

[57] **CLAIM**

The ornamental design for a space hat, as shown and described.

DESCRIPTION

FIG. 1 is a side elevational view of a space hat showing my new design;
 FIG. 2 is a top plan view thereof; and
 FIG. 3 is a side elevational view in open position, the broken line showing of a human profile is for convenience of illustration only.

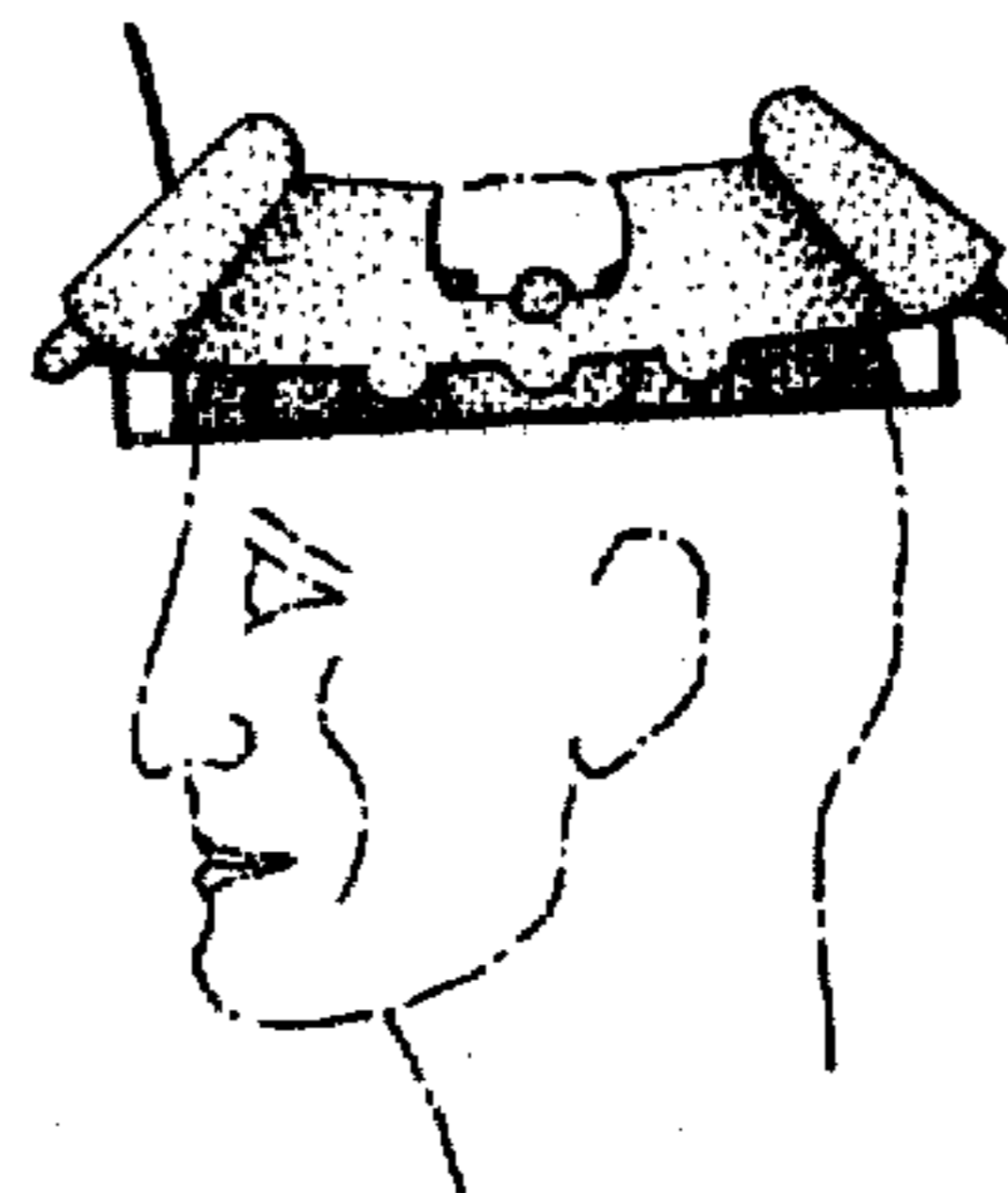
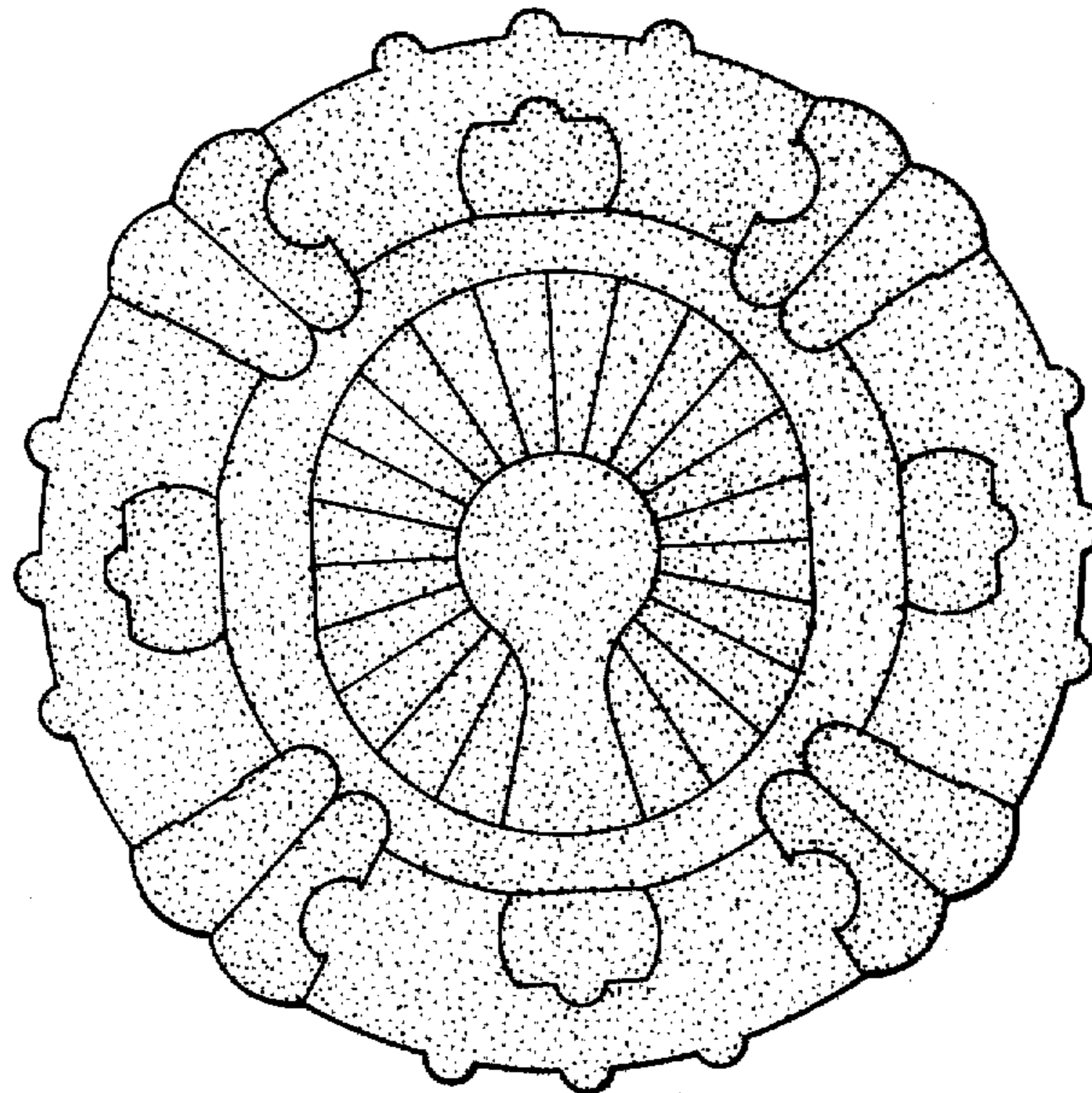


FIG. 1.

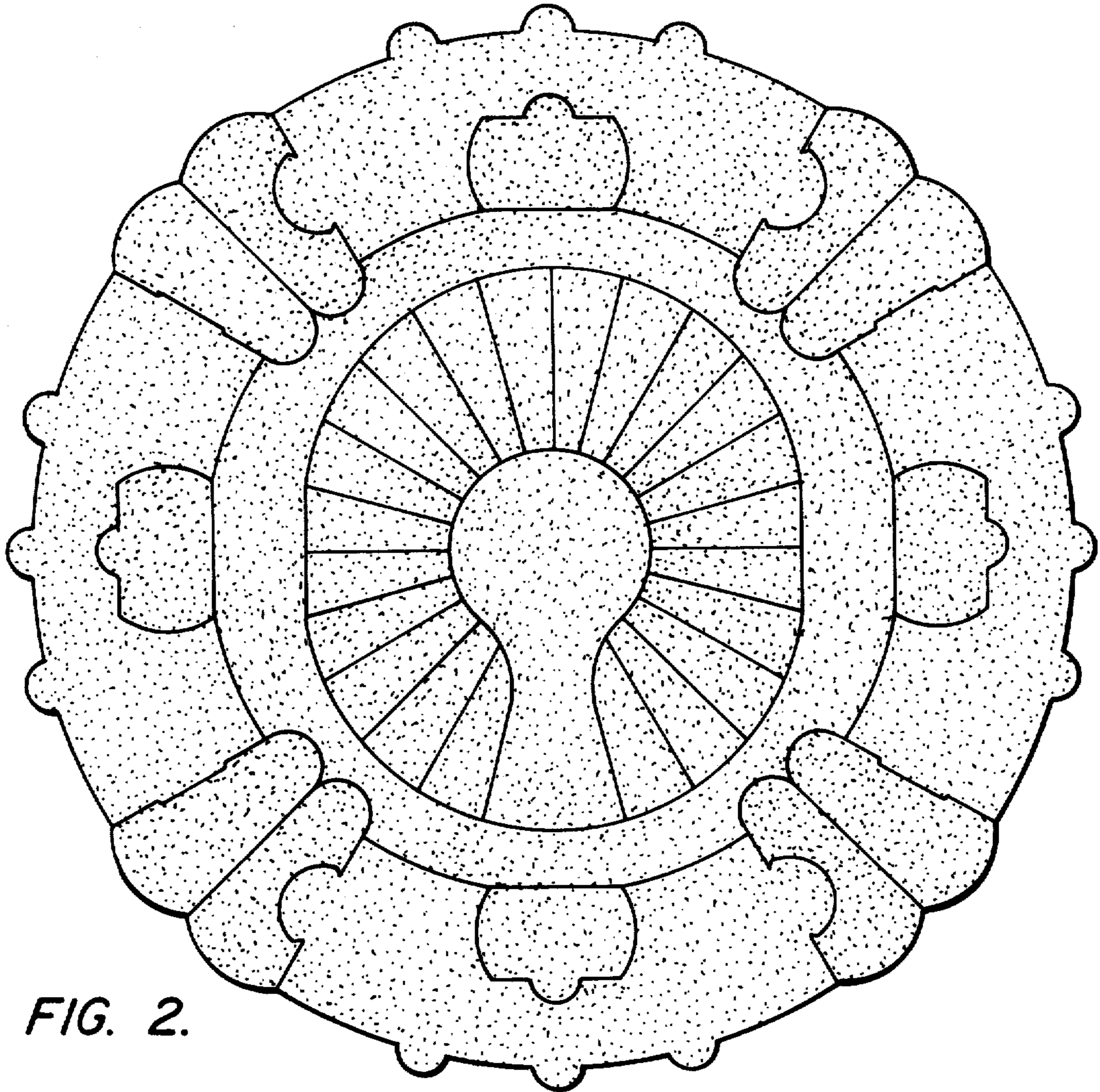


FIG. 2.

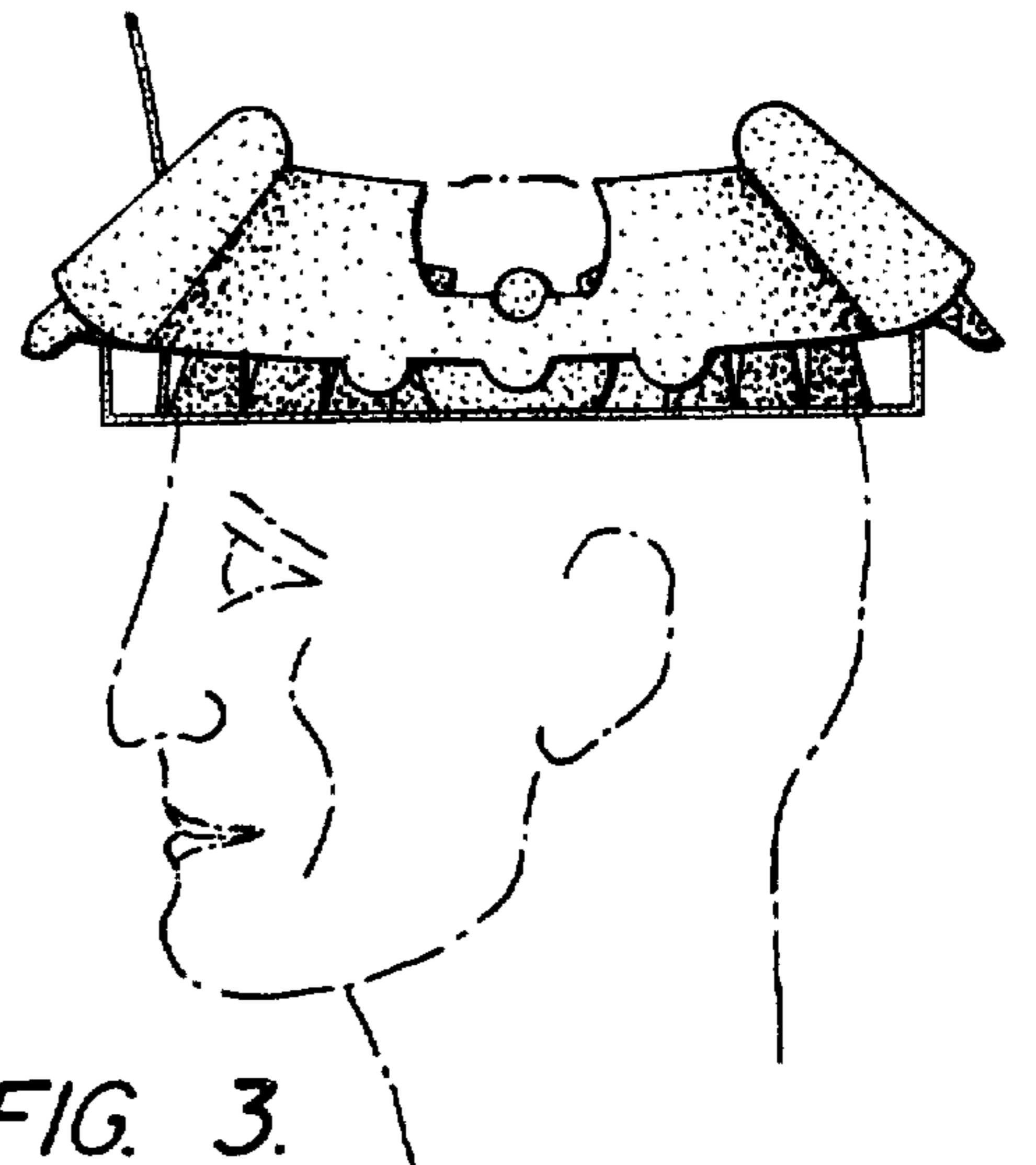


FIG. 3.