

- [54] DUAL HEADLIGHT ASSEMBLY
- [75] Inventor: Garo M. Ziver, Pine City, N.Y.
- [73] Assignee: Corning Glass Works, Corning, N.Y.
- [**] Term: 14 Years
- [21] Appl. No.: 283,681
- [22] Filed: Jul. 15, 1981
- [51] Int. Cl. D26-06
- [52] U.S. Cl. D26/35
- [58] Field of Search D26/28, 29, 30, 31,
D26/34, 35, 36; 362/61, 82, 83, 227, 235, 236,
240, 244, 246, 297, 311, 307, 341, 346-350

54-45984	4/1979	Japan	362/83
1192408	5/1970	United Kingdom	362/83
1203568	8/1970	United Kingdom	362/235
1263197	2/1972	United Kingdom	362/307

OTHER PUBLICATIONS

Auto Katalog, 1978, uber 1500 Autos (Peugeot 504-604).

Primary Examiner—Susan J. Lucas
Attorney, Agent, or Firm—Burton R. Turner

[57] CLAIM

The ornamental design for a dual headlight assembly, as shown and described.

DESCRIPTION

FIG. 1 is a front perspective view of a dual headlight assembly showing my new design on a slightly enlarged scale relative to FIGS. 2, 3, and 4.

FIG. 2 is a top plan view, the bottom plan view being substantially identical;

FIG. 3 is a front elevational view; and

FIG. 4 is a side elevational view thereof, the opposite side being a mirror image.

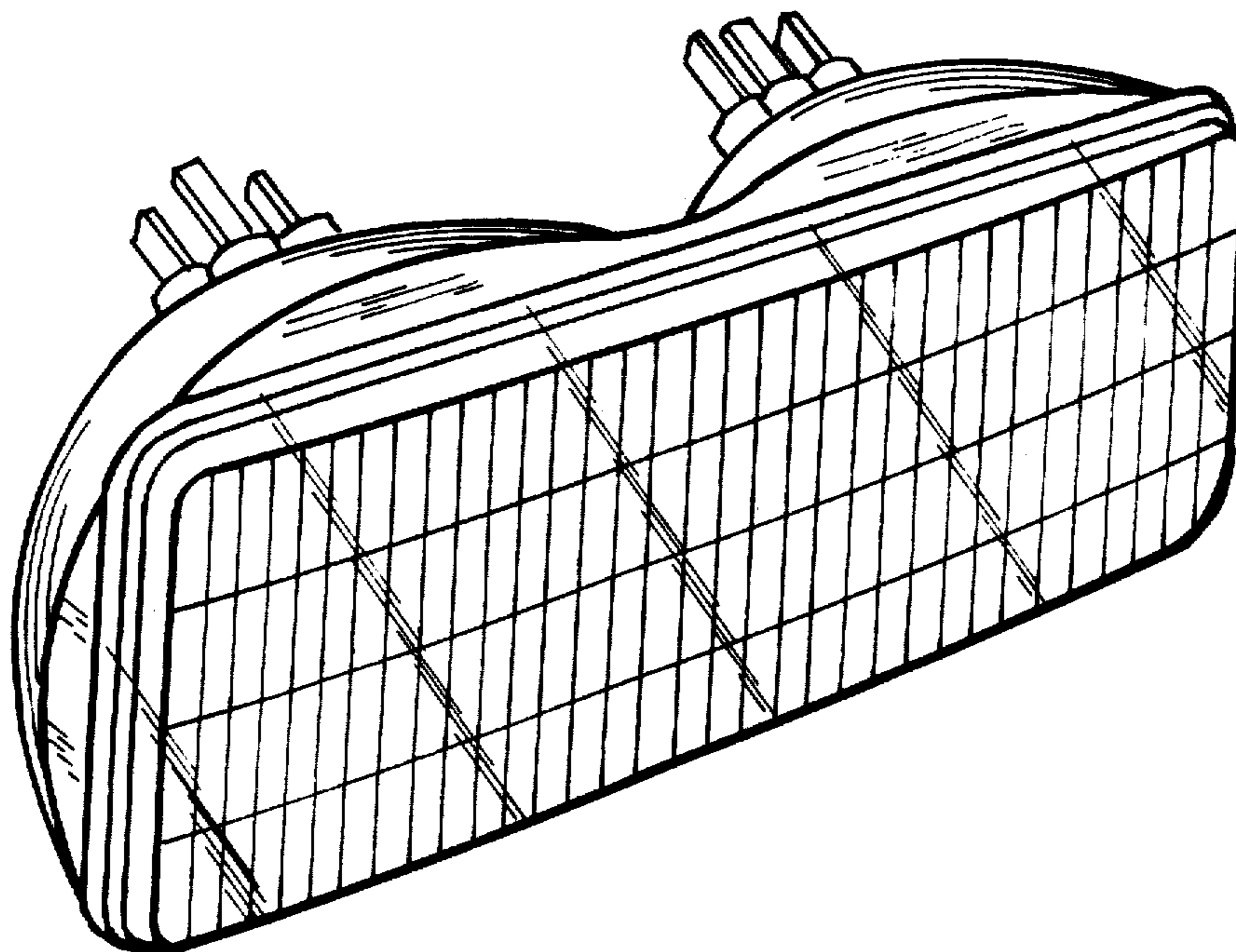
[56] References Cited

U.S. PATENT DOCUMENTS

- D. 229,507 12/1973 Boano D26/35
- D. 258,466 3/1981 Alsmann .
- D. 258,917 4/1981 Urbanek et al. .

FOREIGN PATENT DOCUMENTS

- 2811286 9/1979 Fed. Rep. of Germany 362/61



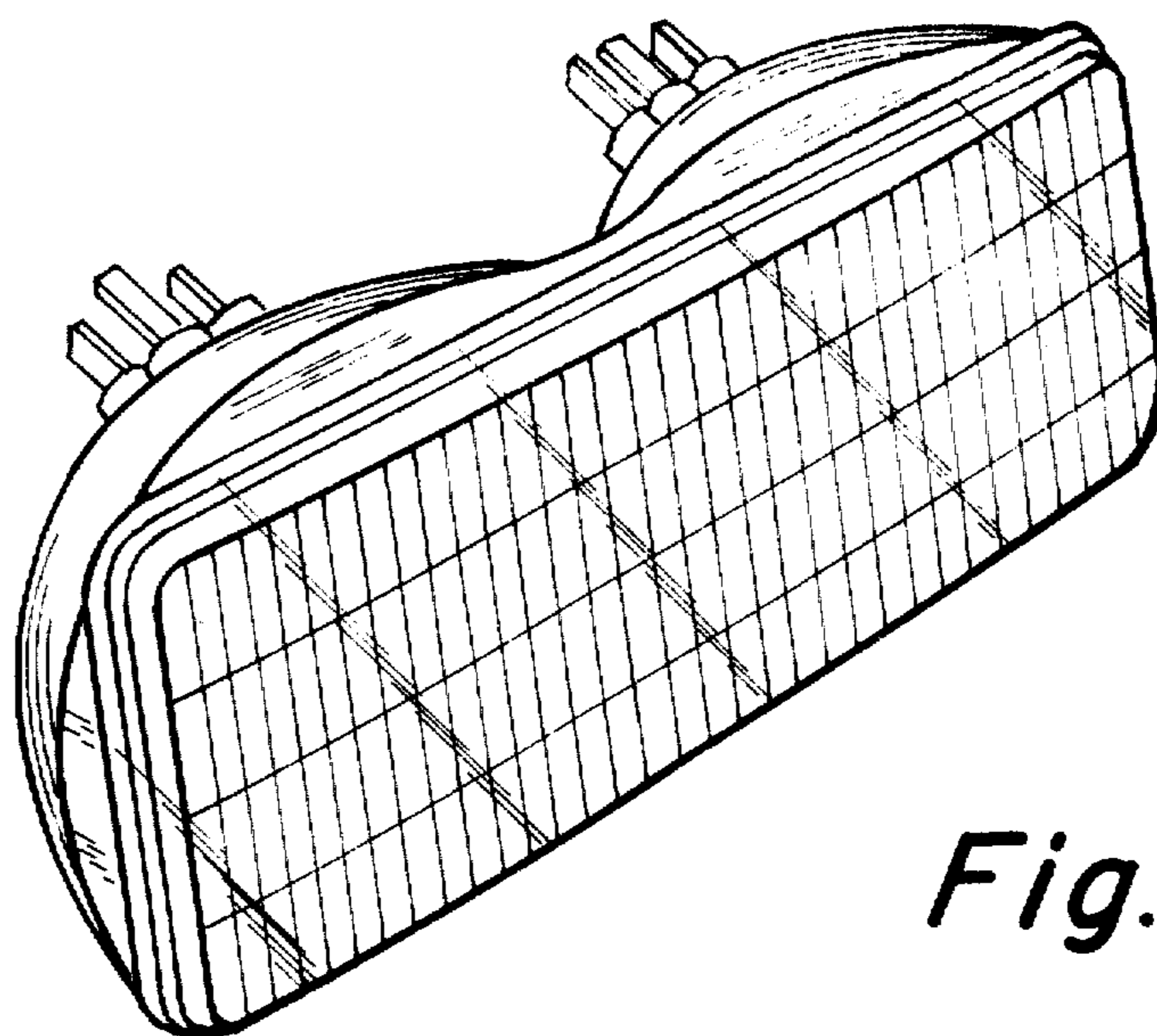


Fig. 1

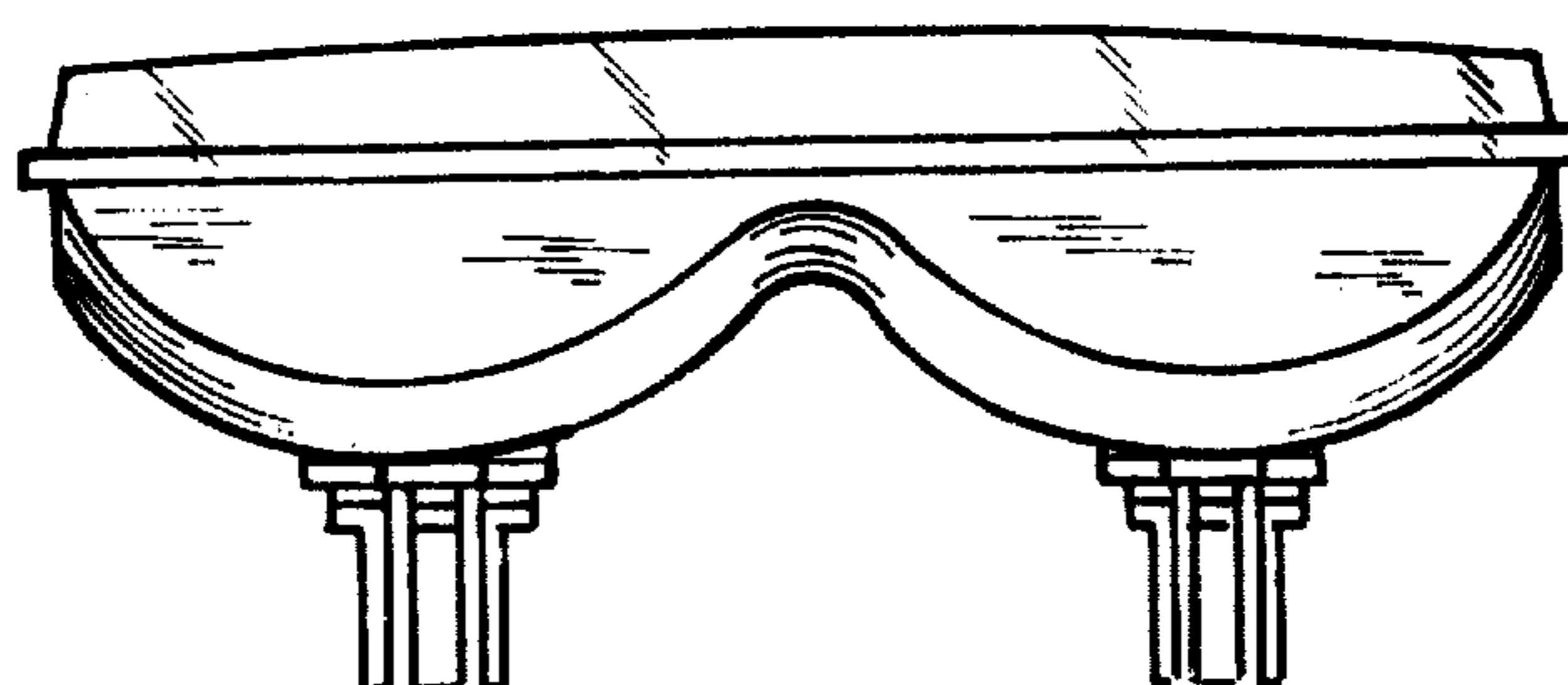


Fig. 2

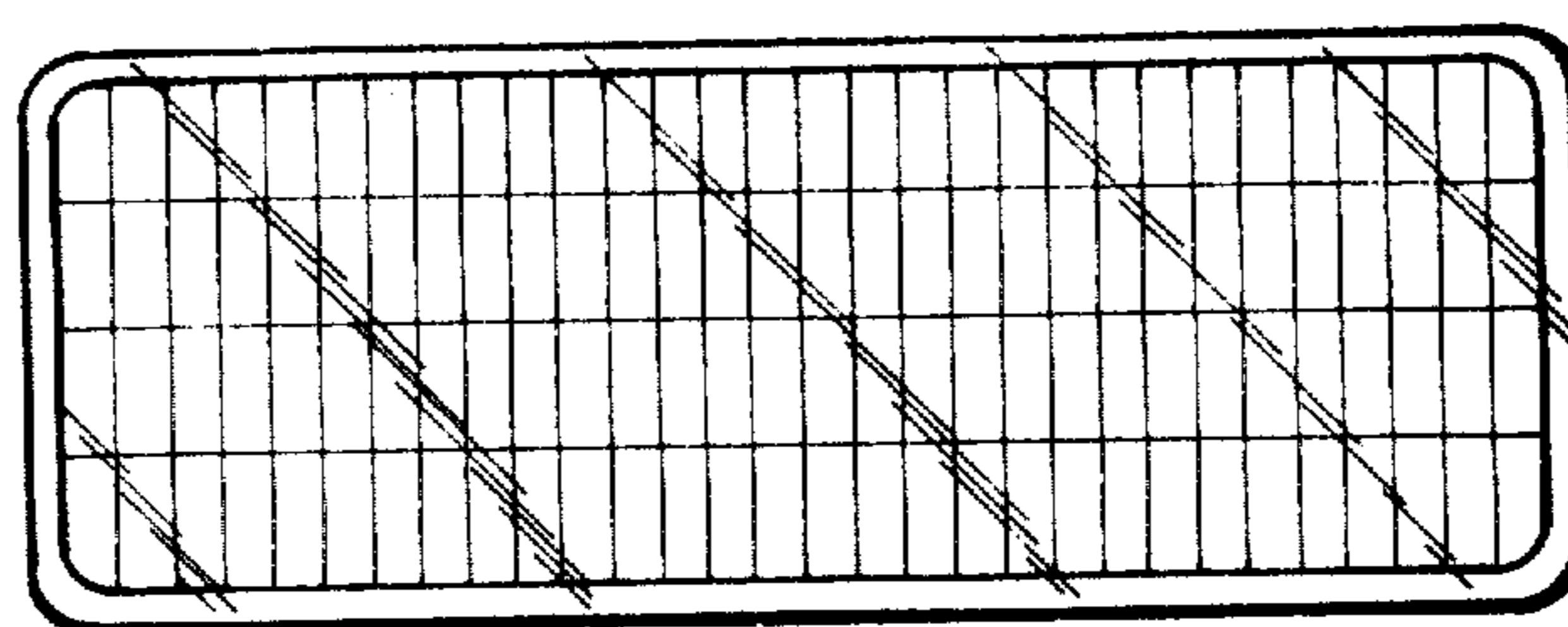


Fig. 3

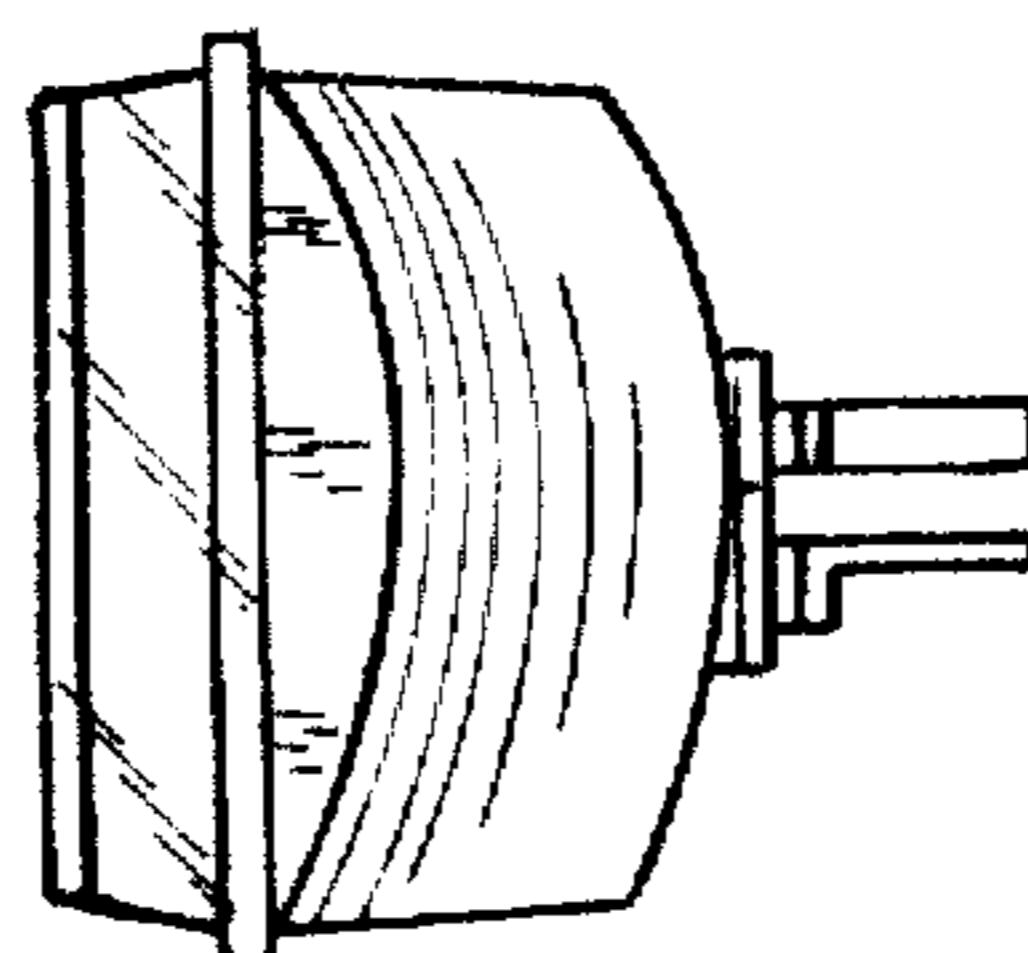


Fig. 4