

- [54] **ADAPTOR FOR ENDOSCOPE**
[75] Inventor: **Shinichi Nishigaki, Hachioji, Japan**
[73] Assignee: **Olympus Optical Co., Ltd., Japan**
[**] Term: **14 Years**
[21] Appl. No.: **278,670**
[22] Filed: **Jun. 29, 1981**
[30] **Foreign Application Priority Data**
Mar. 13, 1981 [JP] Japan 56-10637
[51] **Int. Cl.** **D24—02; D16—05**
[52] **U.S. Cl.** **D24/18; D24/17;**
D16/38; D16/134
[58] **Field of Search** 128/4, 5, 6, 7, 8;
D24/17, 18; D16/134, 38; 350/19
[56] **References Cited**
U.S. PATENT DOCUMENTS
D. 189,383 11/1960 Macomber D16/134
D. 248,160 6/1978 Feinbloom D16/38
D. 248,664 7/1978 Takahashi D24/18
D. 248,766 8/1978 Arai D16/134
4,253,448 3/1981 Terada 128/6

4,318,395 3/1982 Tawara 128/4

Primary Examiner—Bernard Ansher
Attorney, Agent, or Firm—Ostrolenk, Faber, Gerb & Soffen

[57] **CLAIM**

The ornamental design for an adaptor for endoscope, as shown and described.

DESCRIPTION

FIG. 1 is a front, right side and plan perspective view of an adaptor for endoscope, showing my new design; FIG. 2 is a rear, left side and bottom perspective view thereof; FIG. 3 is a plan view thereof; FIG. 4 is a bottom view thereof; FIG. 5 is a left side view thereof; FIG. 6 is a front view thereof; FIG. 7 is a right side view thereof; FIG. 8 is a rear view thereof; and FIG. 9 is a right side view of the adaptor for endoscope in use (adaptor with endoscope and Polaroid photographic apparatus attached thereto). The broken lines are shown in broken lines for illustrative purposes only.

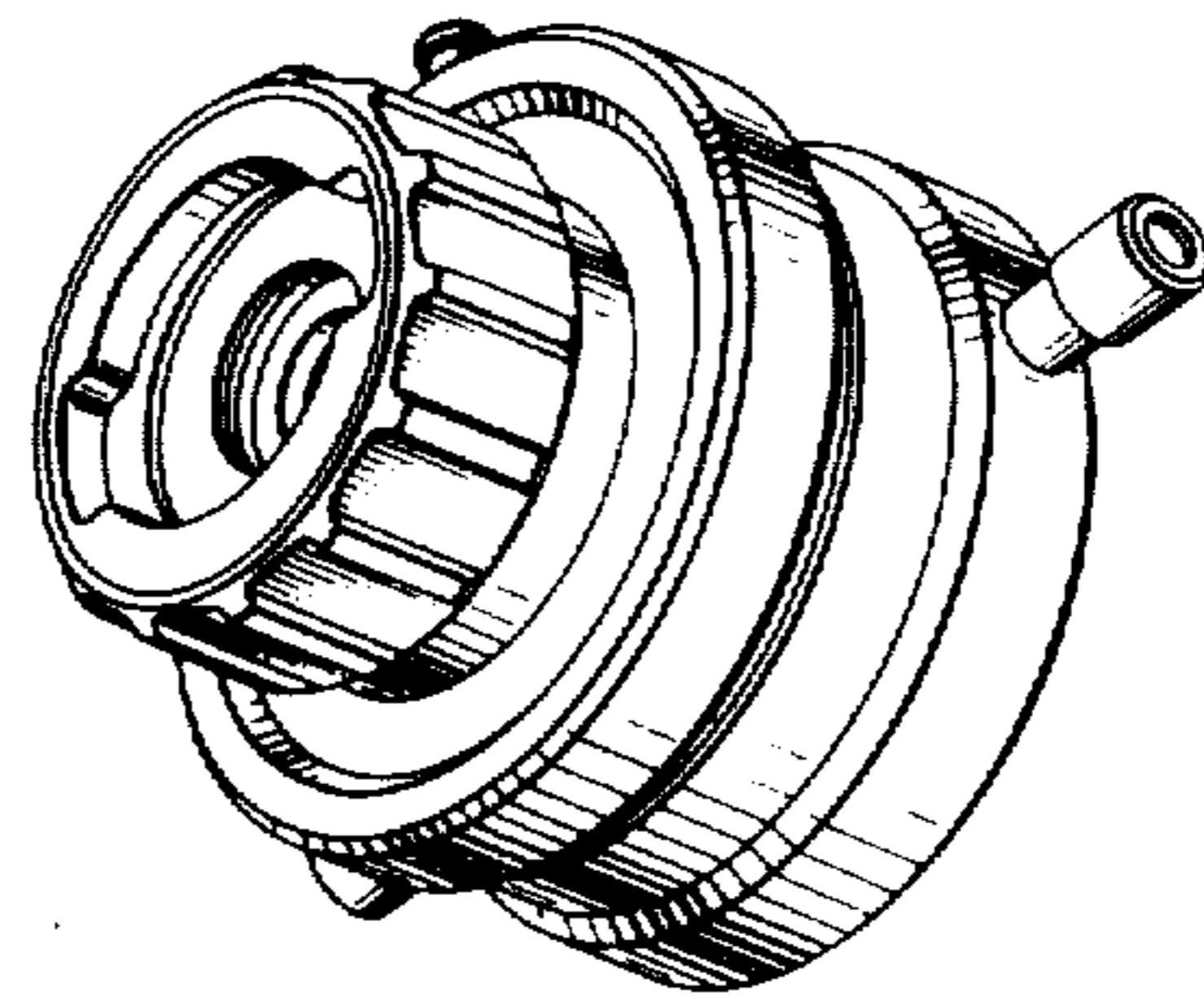
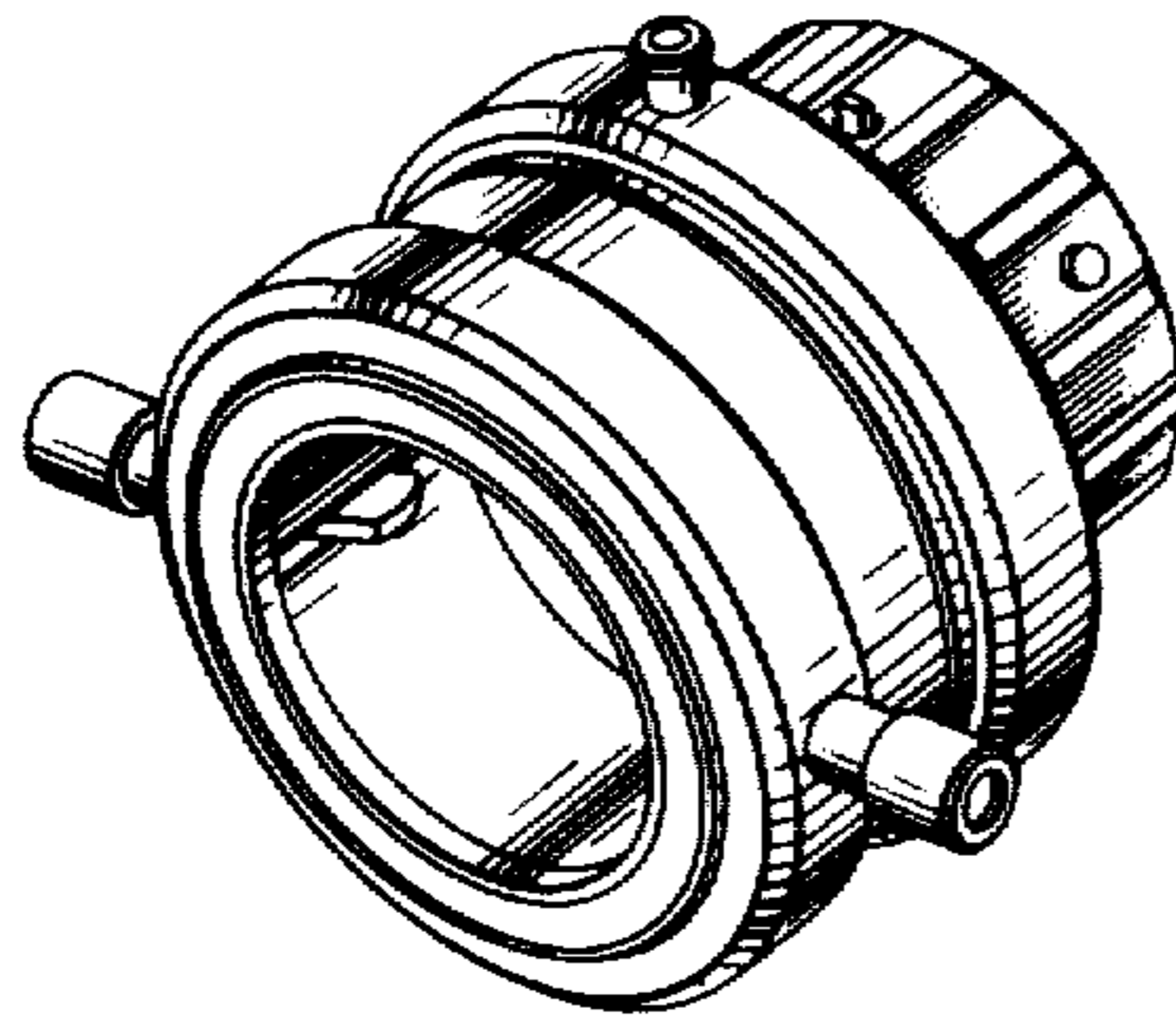


FIG. 1

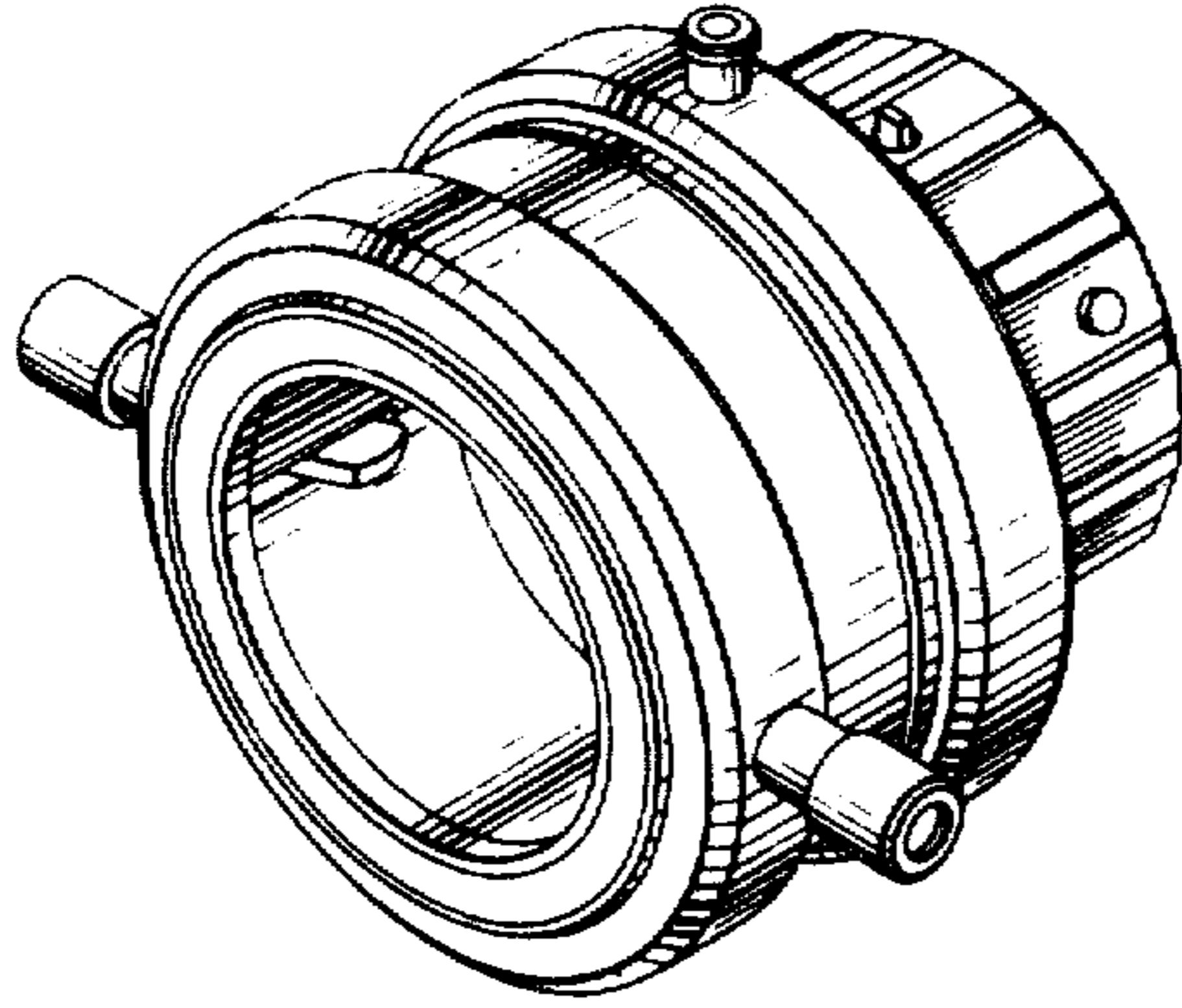


FIG. 2

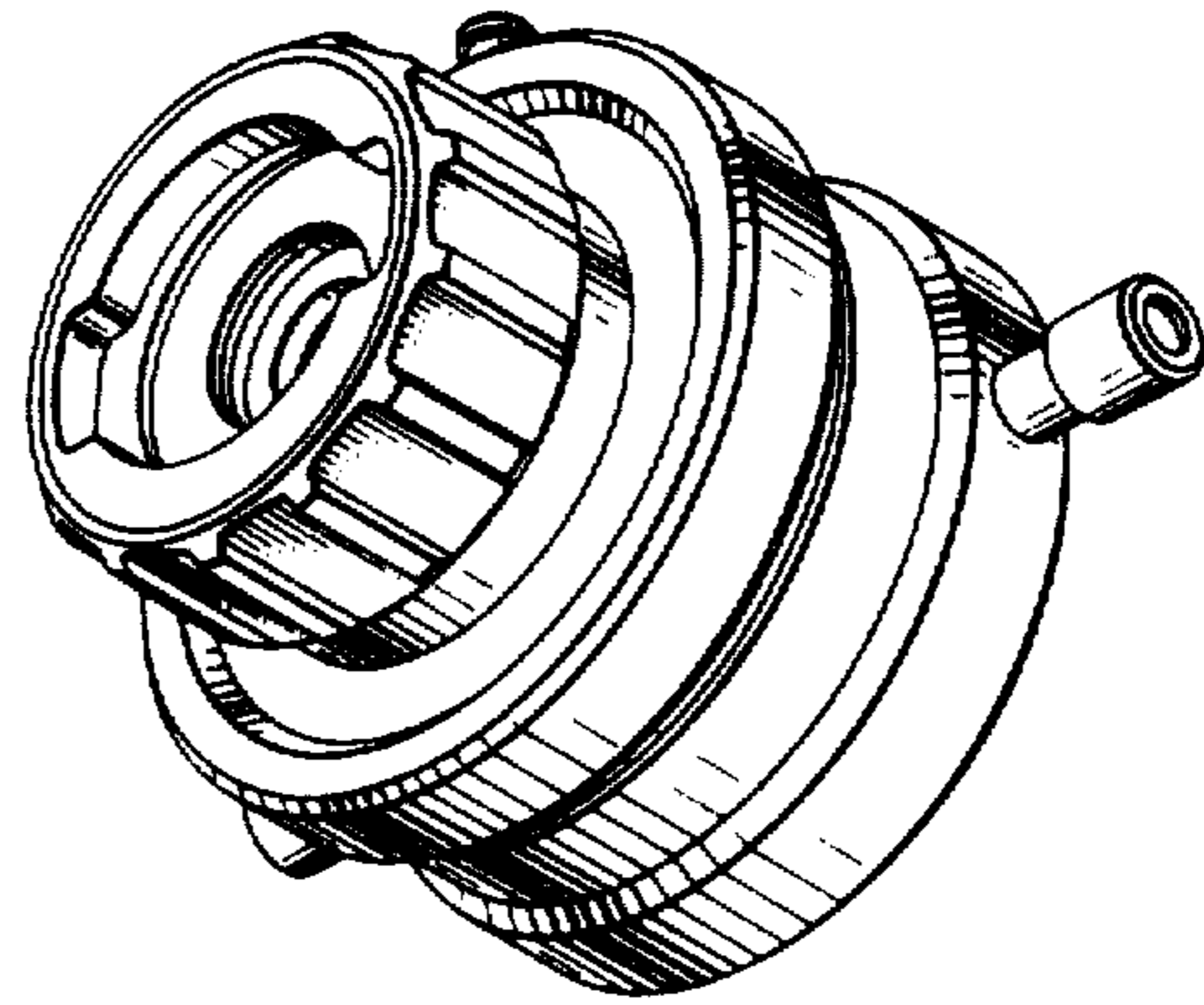


FIG. 3

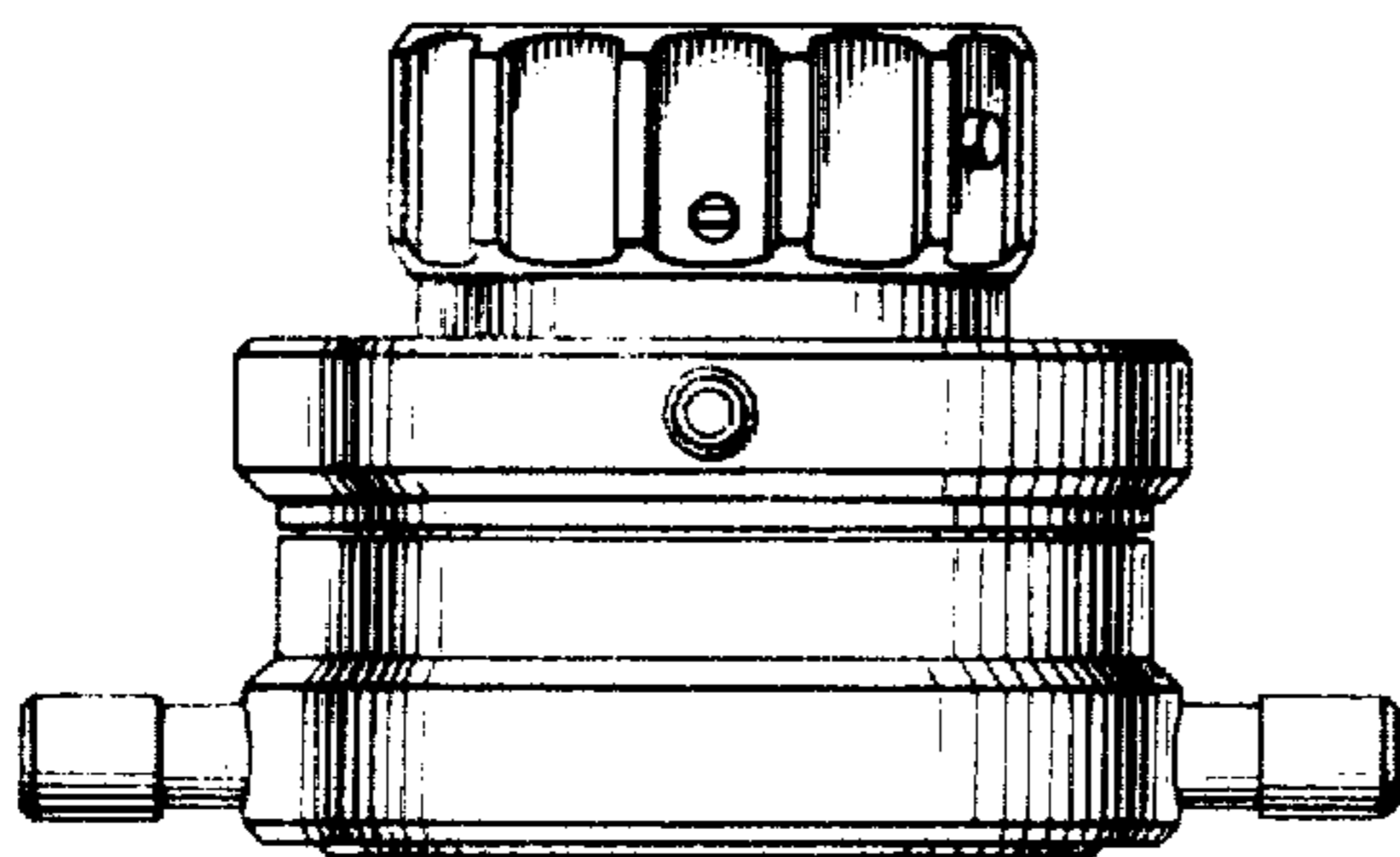


FIG. 4

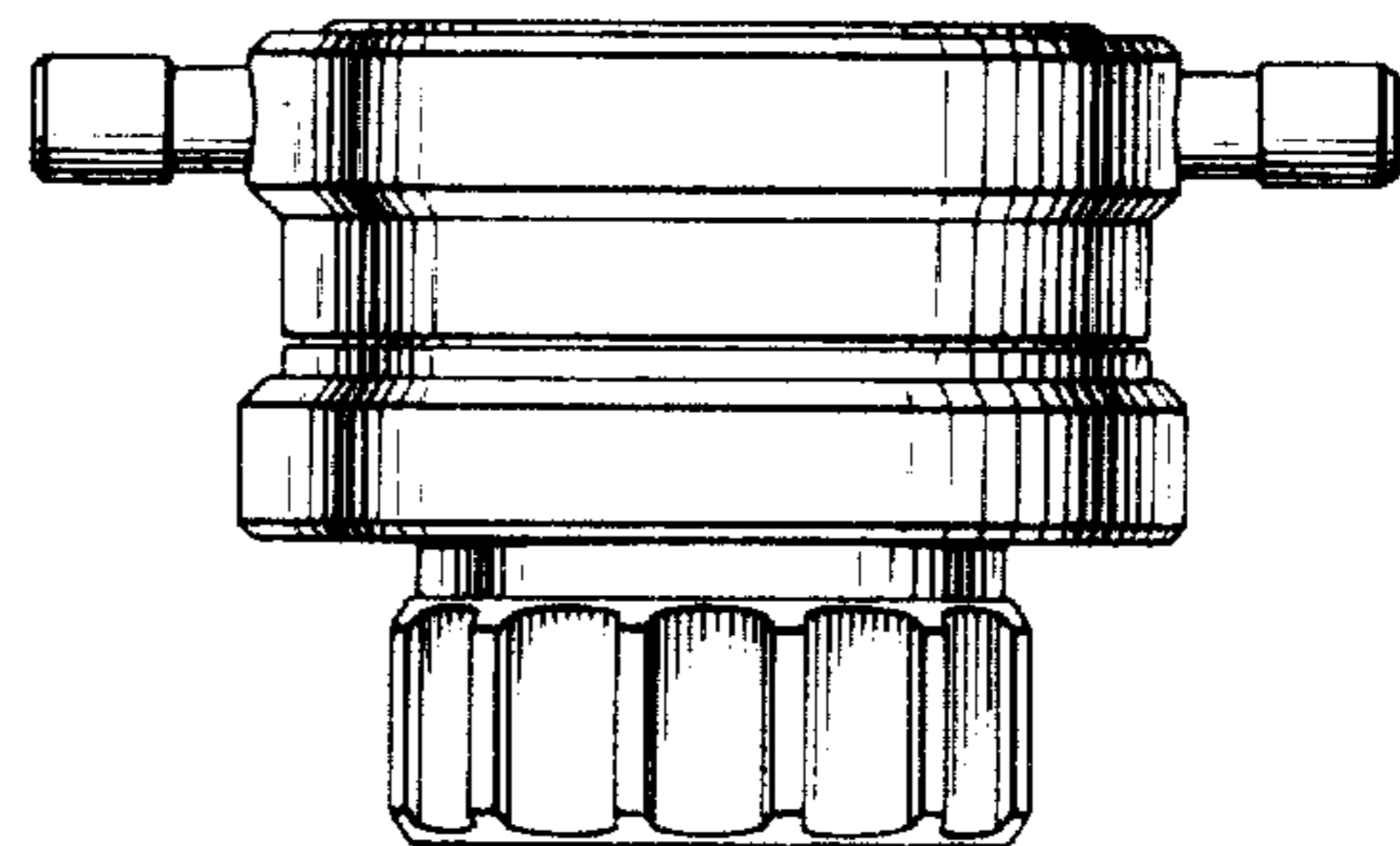


FIG. 5

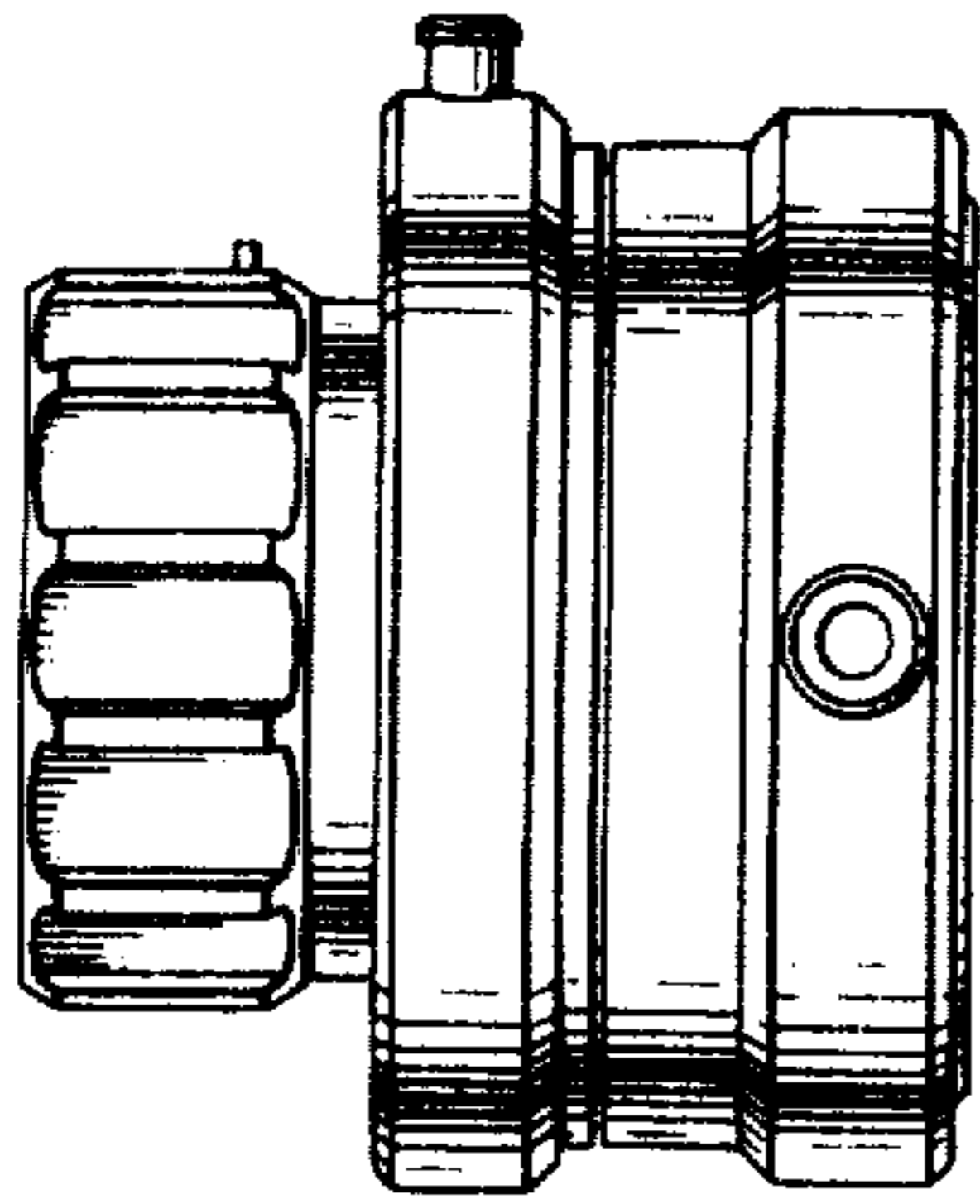


FIG. 6

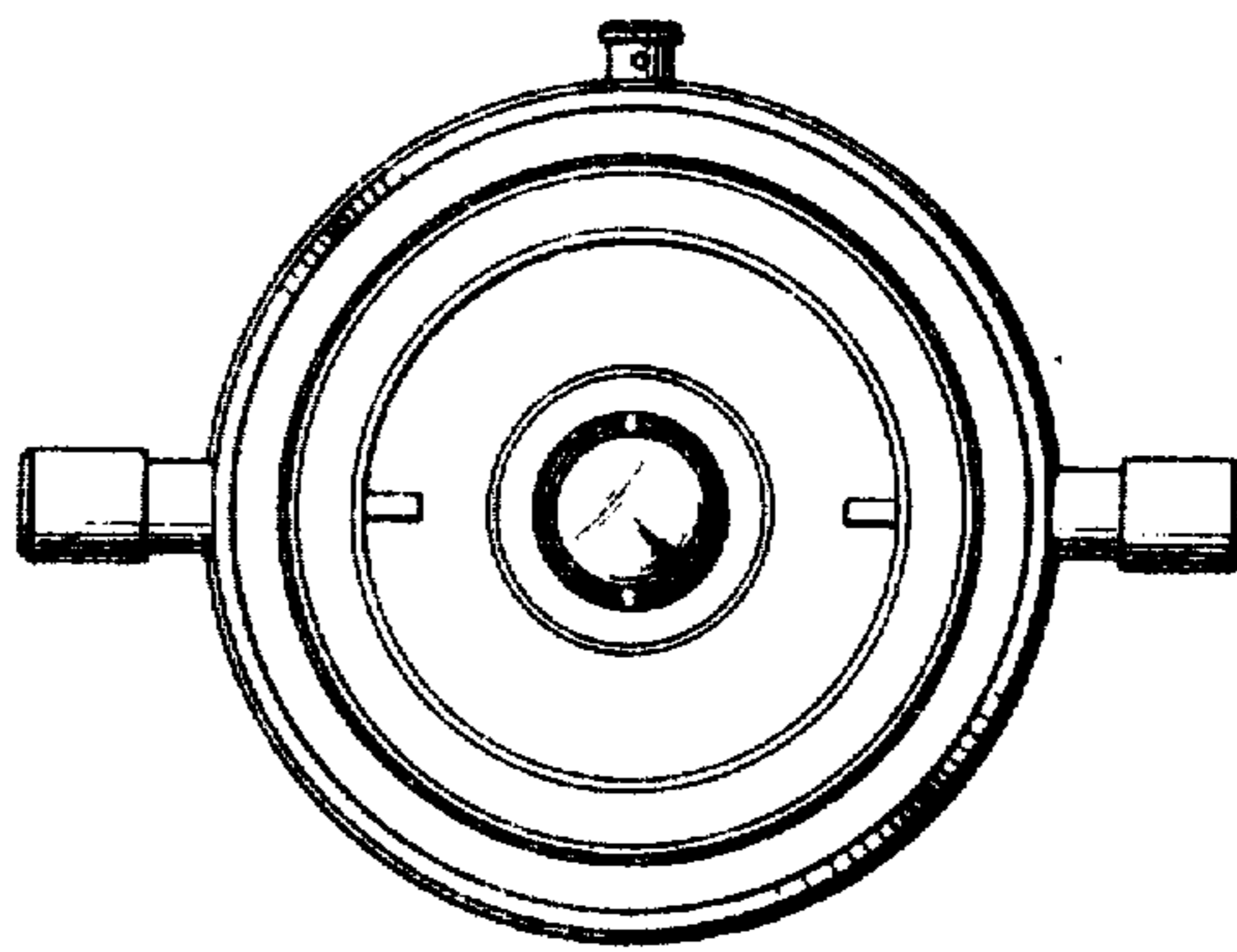


FIG. 7

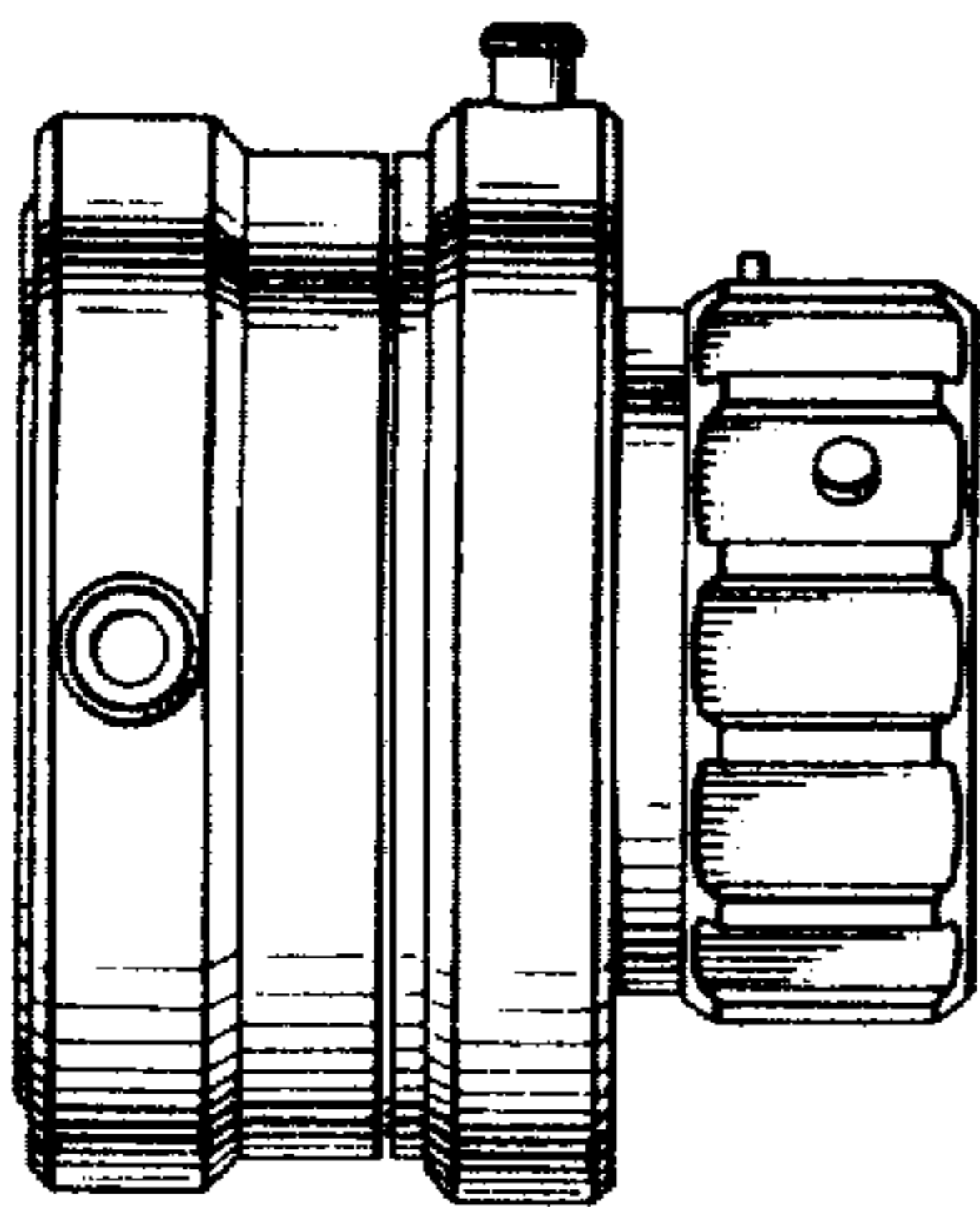


FIG. 8

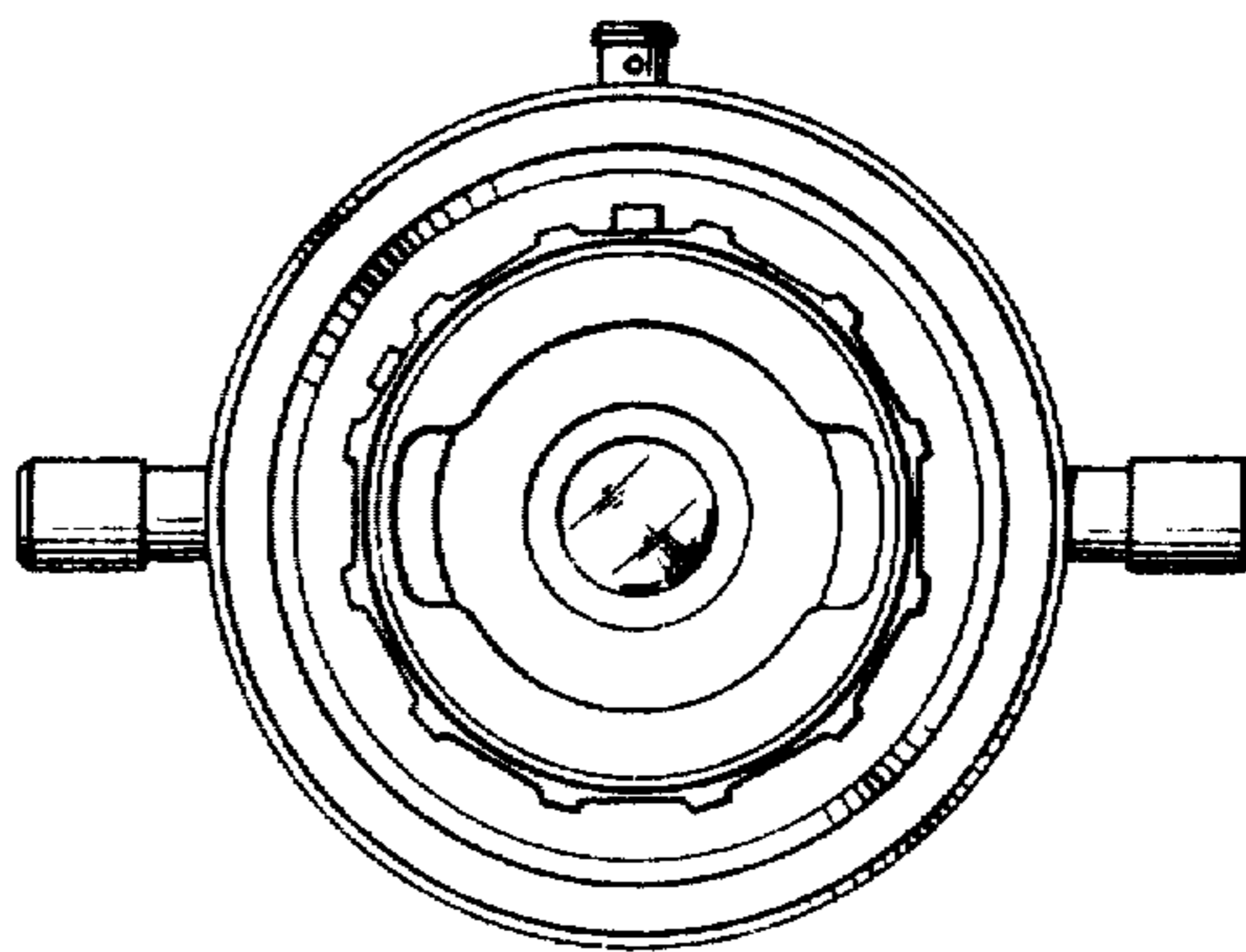


FIG. 9

