

[54] CLAMPABLE FISHING ROD HOLDER

[75] Inventor: Michael G. Lummis, Portage, Mich.

[73] Assignee: Pacific-Atlantic Products, Ltd., Kalamazoo, Mich.

[**] Term: 14 Years

[21] Appl. No.: 334,973

[22] Filed: Dec. 28, 1981

[51] Int. Cl. D22-05

[52] U.S. Cl. D22/13

[58] Field of Search 43/21.2; 248/530, 538, 248/539, 512; D22/13, 22

[56] References Cited

U.S. PATENT DOCUMENTS

D. 179,525	1/1957	Porter	D22/13
D. 226,507	3/1973	Wright	D22/13
D. 255,259	6/1980	Nelson	D22/13
3,667,708	6/1972	Smeltzer	248/512

4,157,803	6/1979	Mack	248/512
4,157,804	6/1979	Byford	248/512
4,235,409	11/1980	Cummings	248/538

Primary Examiner—A. Hugo Word
Attorney, Agent, or Firm—Dressler, Goldsmith, Shore, Sutker & Milnamow, Ltd.

[57] CLAIM

The ornamental design for a clampable fishing rod holder, substantially as shown and described.

DESCRIPTION

FIG. 1 is a perspective view of a clampable fishing rod holder showing my new design;
FIG. 2 is a side elevational view of the clampable fishing rod holder;
FIG. 3 is an elevational view looking from the right of FIG. 2;
FIG. 4 is a top plan view of the clampable fishing rod holder; and
FIG. 5 is a bottom plan view of the clampable fishing rod holder.

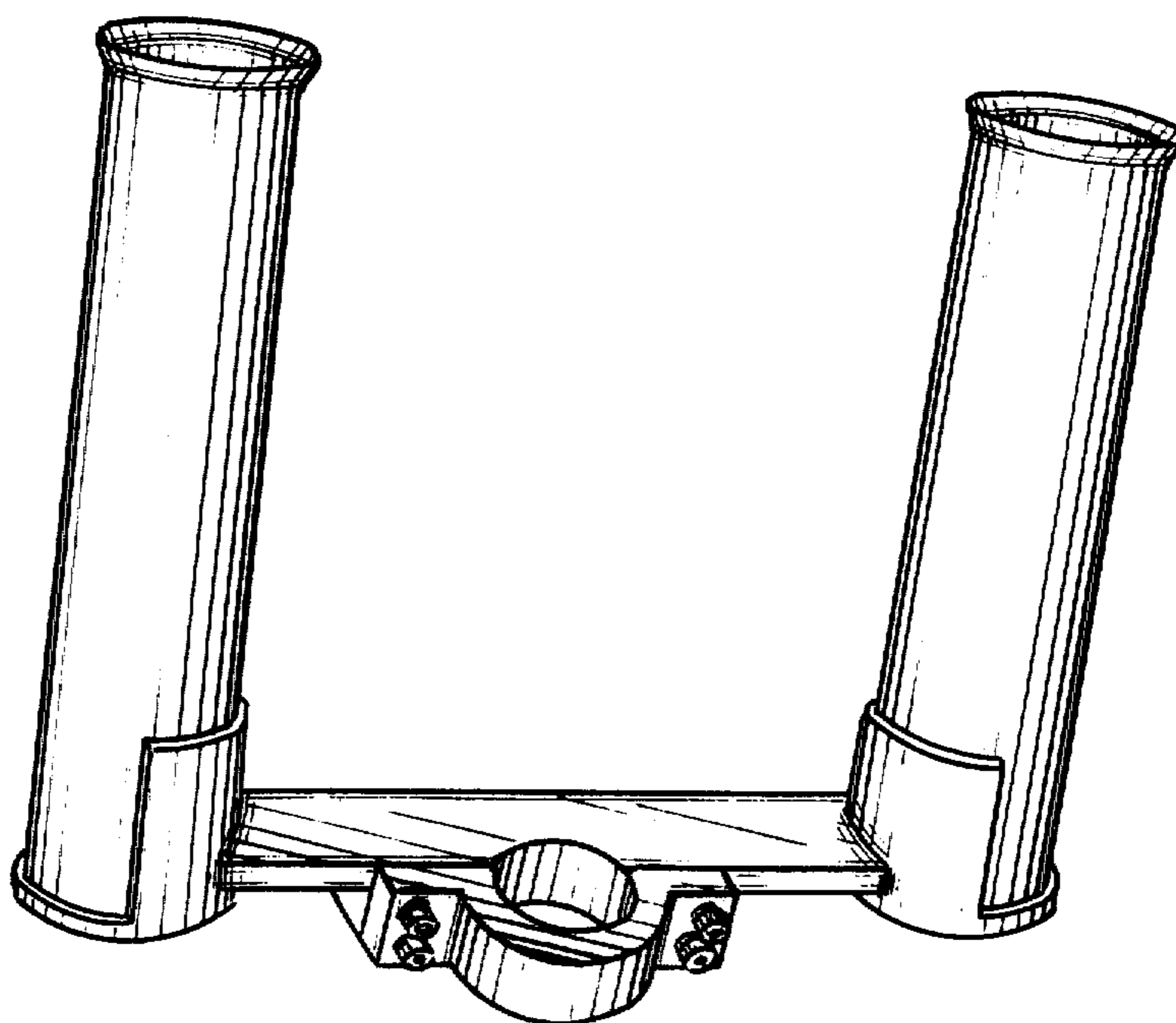


FIG. 1.

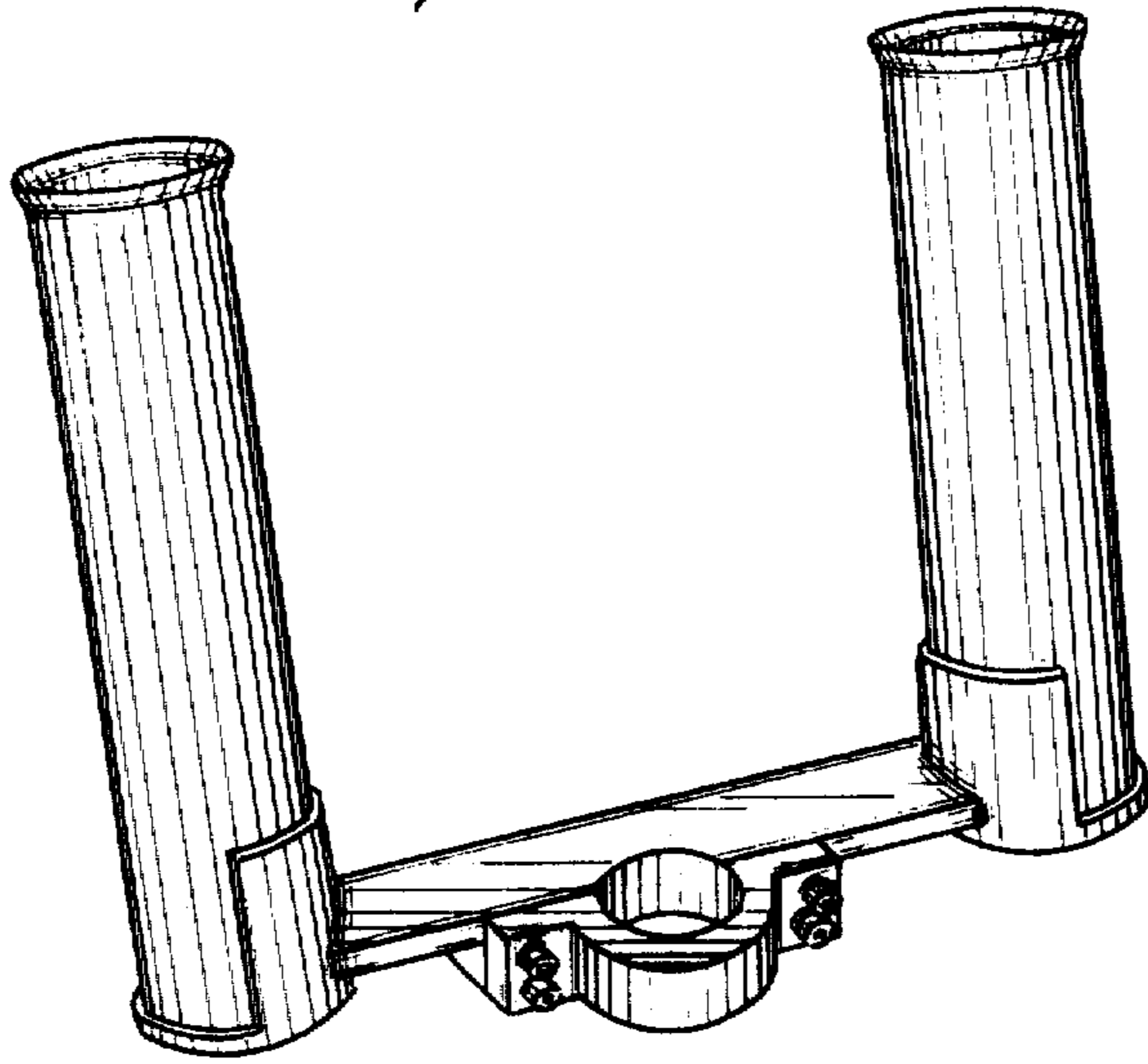


FIG. 2.

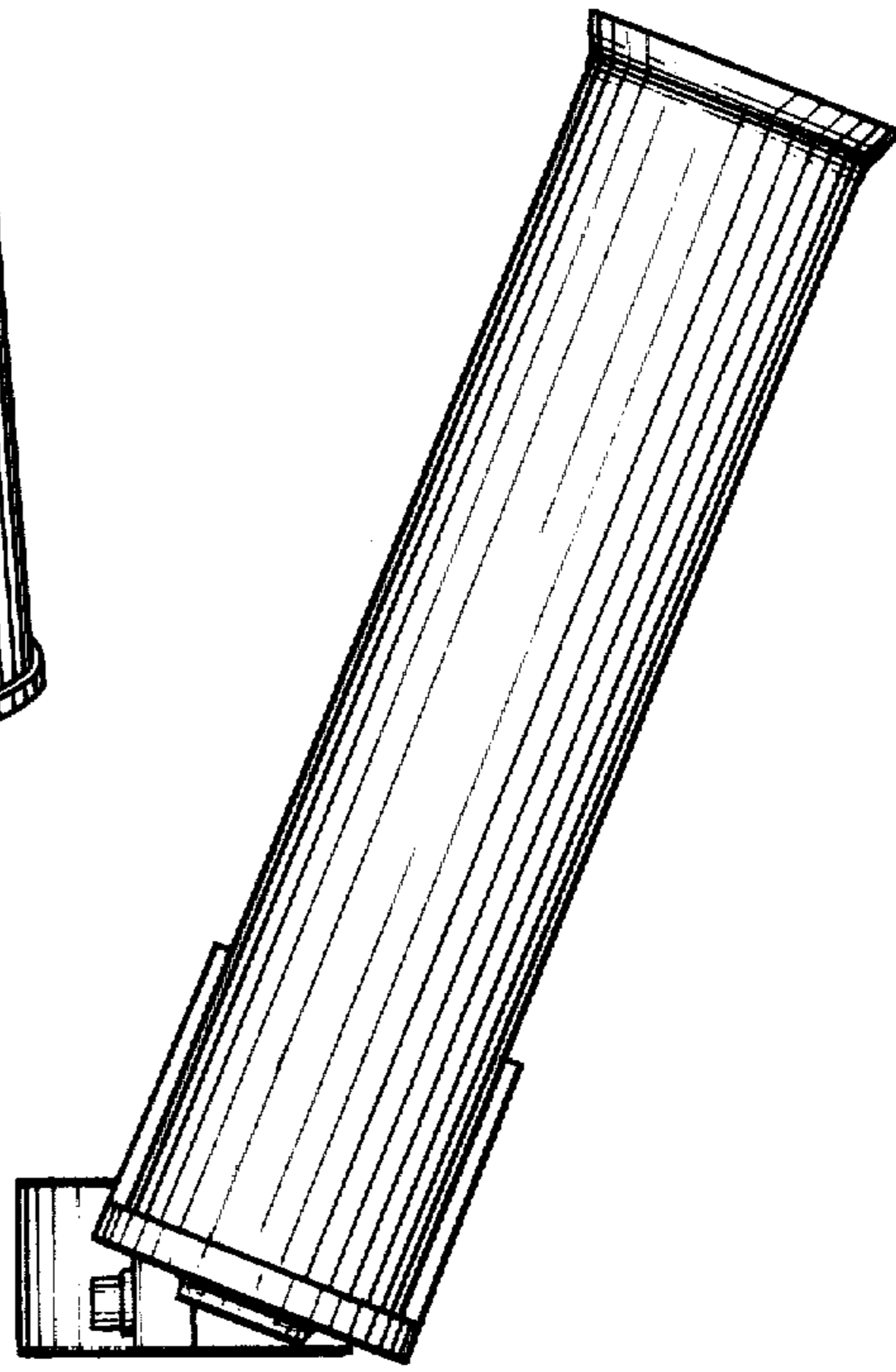


FIG. 3.

