

[54] GOLF PUTTER HEAD

[75] Inventors: Frank B. Stone, Rte. #3, Box 297, Woodruff, S.C. 29388; Robert L. Hatcher, Salisbury, N.C.

[73] Assignee: Frank B. Stone, Woodruff, S.C.

[\*\*] Term: 14 Years

[21] Appl. No.: 272,567

[22] Filed: Jun. 11, 1981

[51] Int. Cl. .... D21-02  
[52] U.S. Cl. .... D21/217  
[58] Field of Search ..... D21/217, 218, 219; 273/167-175, 164

[56] References Cited

U.S. PATENT DOCUMENTS

D. 202,504 10/1965 Citro ..... D21/217  
D. 225,118 11/1972 Susilovich ..... D21/217  
D. 230,750 3/1974 Ehrich ..... D21/217  
4,227,694 10/1980 Drake ..... 273/164

OTHER PUBLICATIONS

Golf World, Aug. 19, 1977, p. 46, top, Putter No. B-1.

Primary Examiner—Melvin B. Feifer

[57] CLAIM

The ornamental design for a golf putter head, as shown and described.

DESCRIPTION

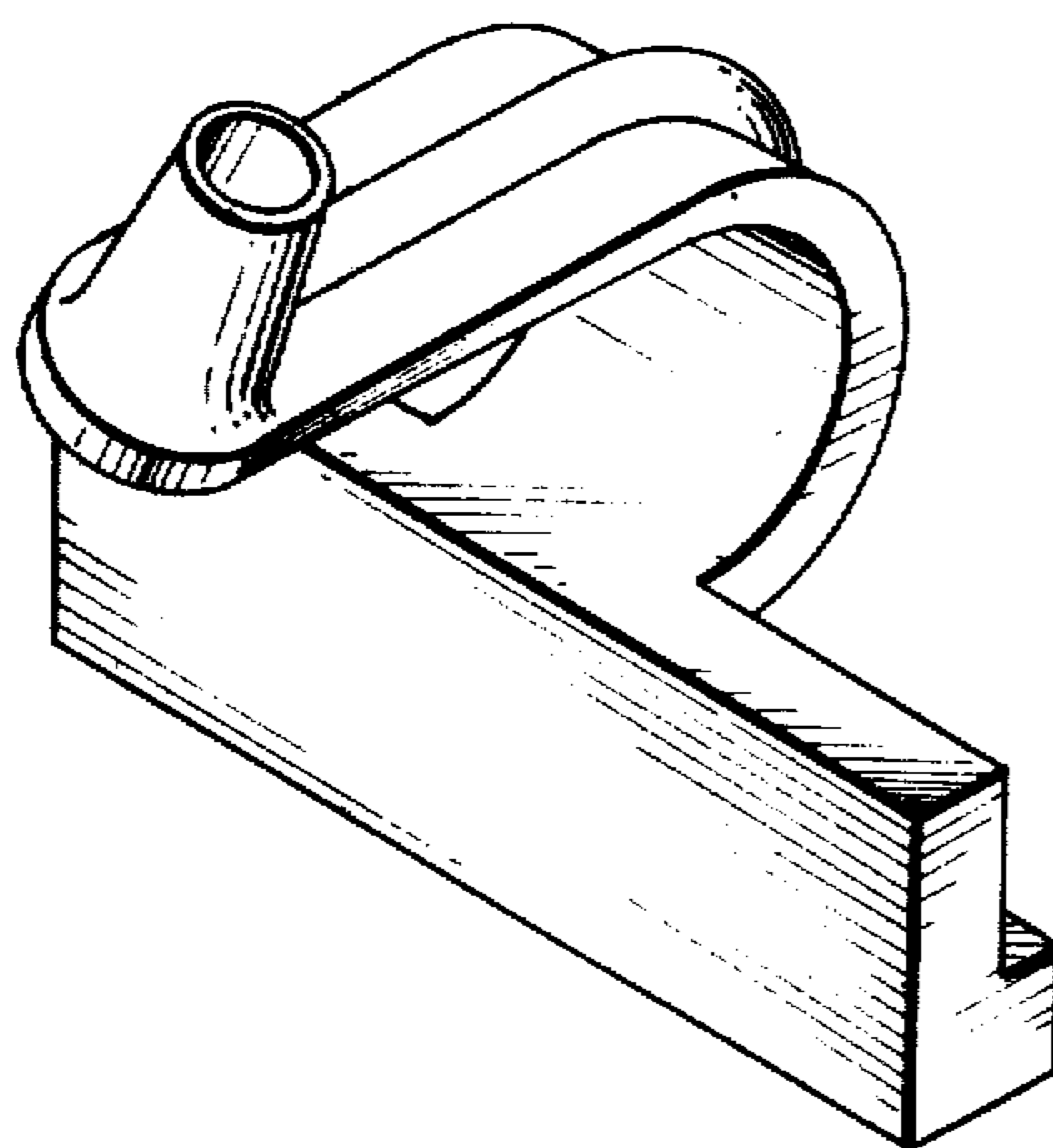
FIG. 1 is a perspective view of a golf putter head showing our new design.

FIG. 2 is a rear elevation of the putter.

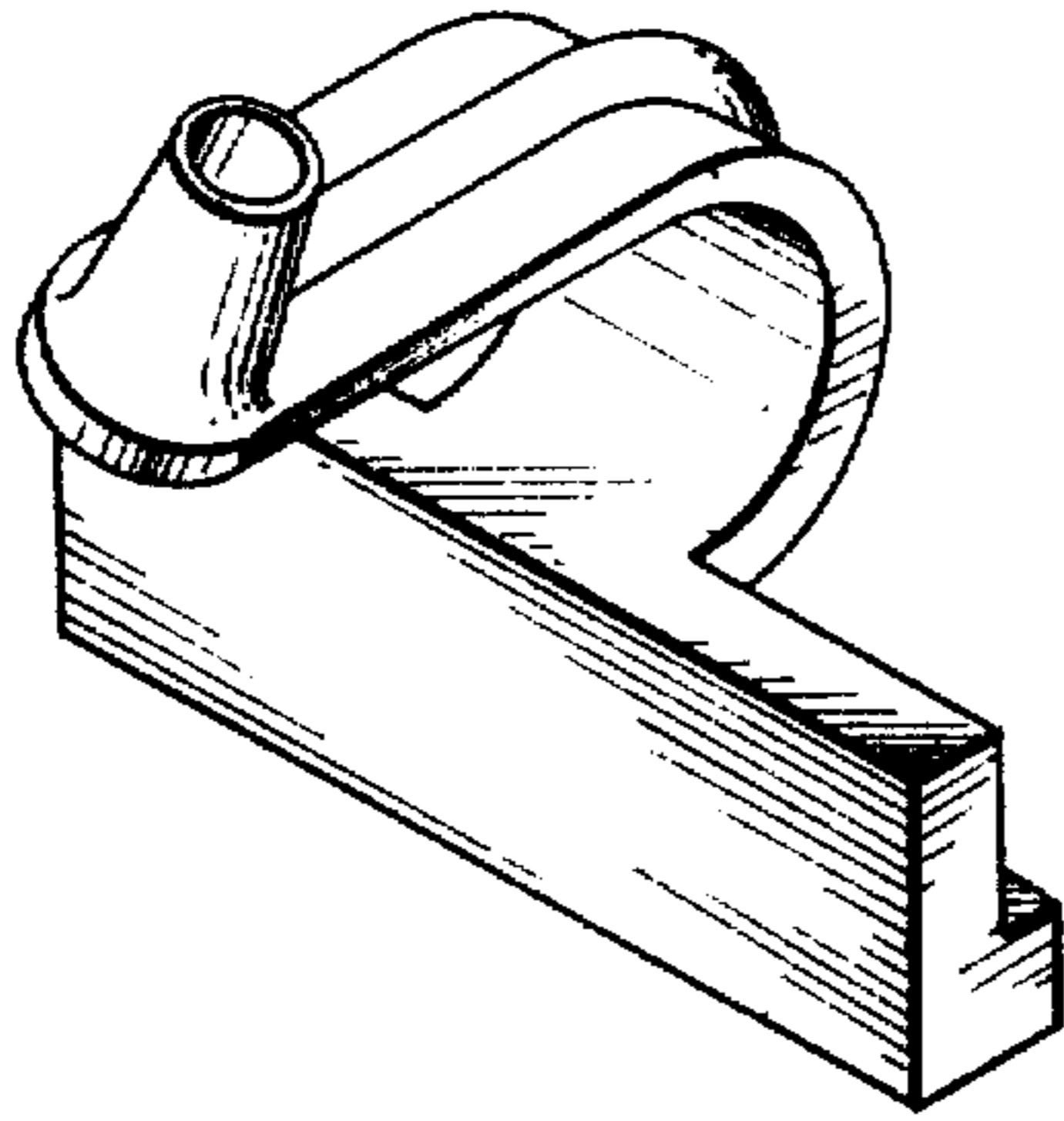
FIG. 3 is a left side elevation thereof.

FIG. 4 is a right side elevation thereof.

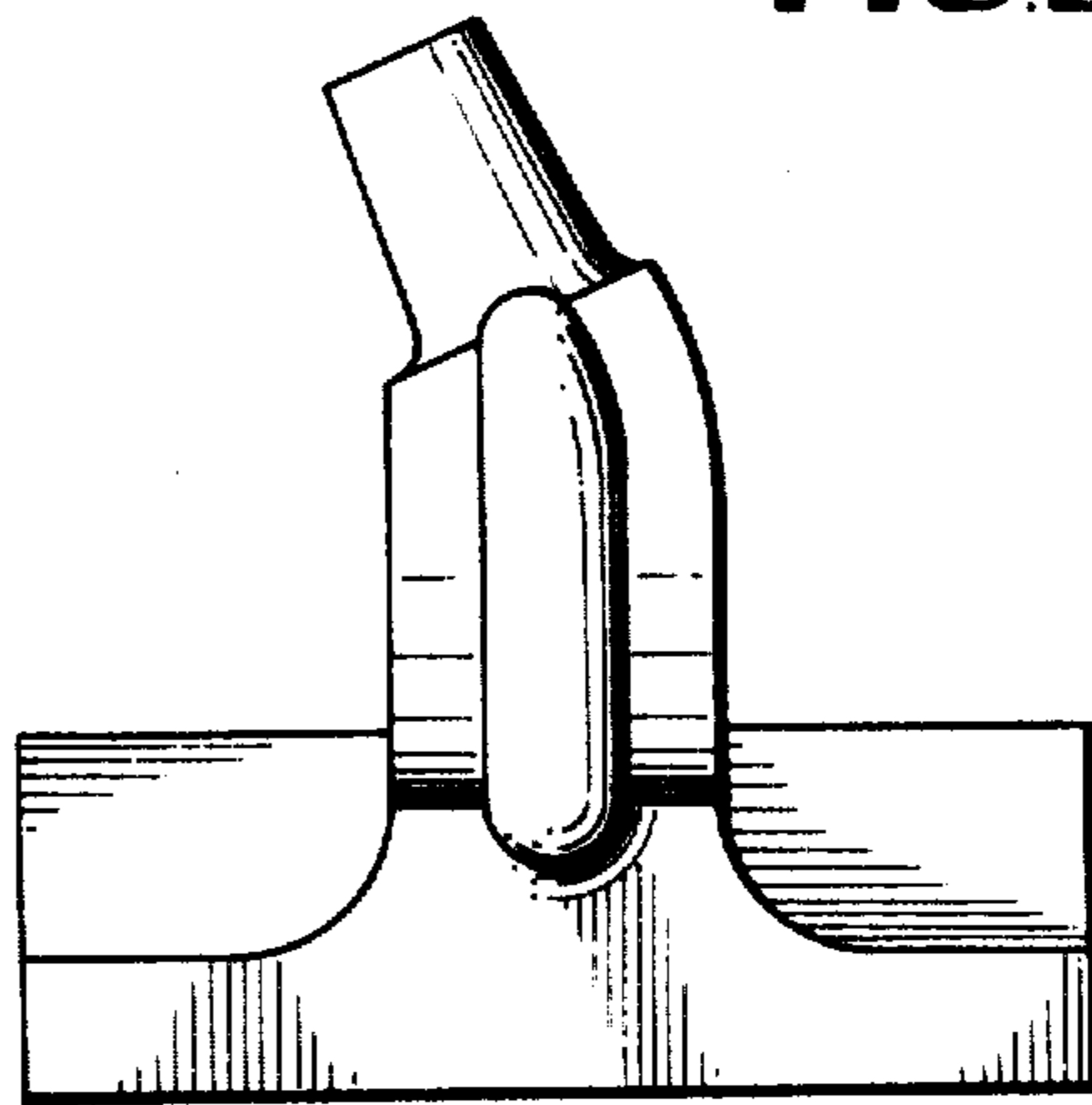
FIG. 5 is a bottom plan view thereof.



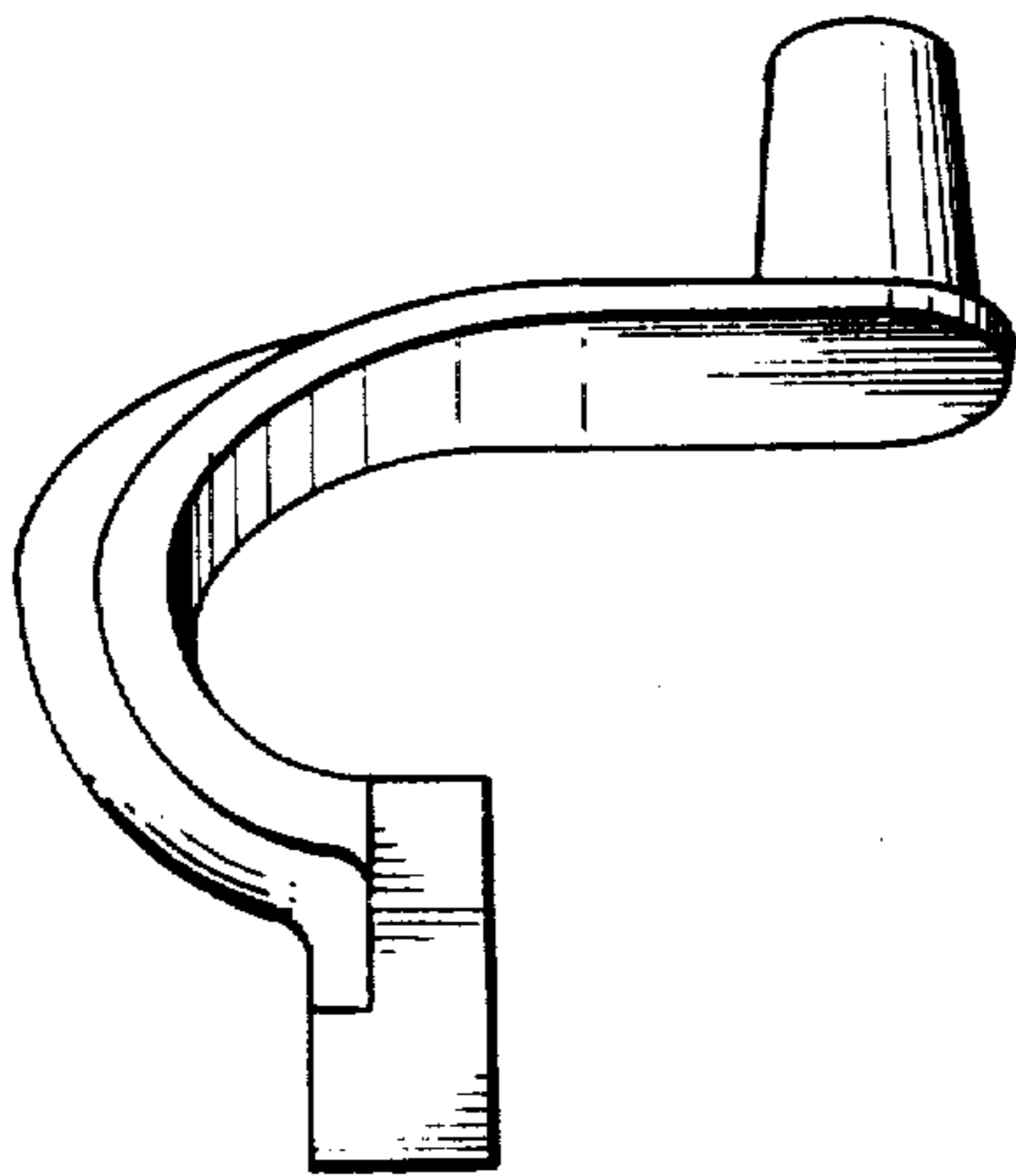
**FIG.1**



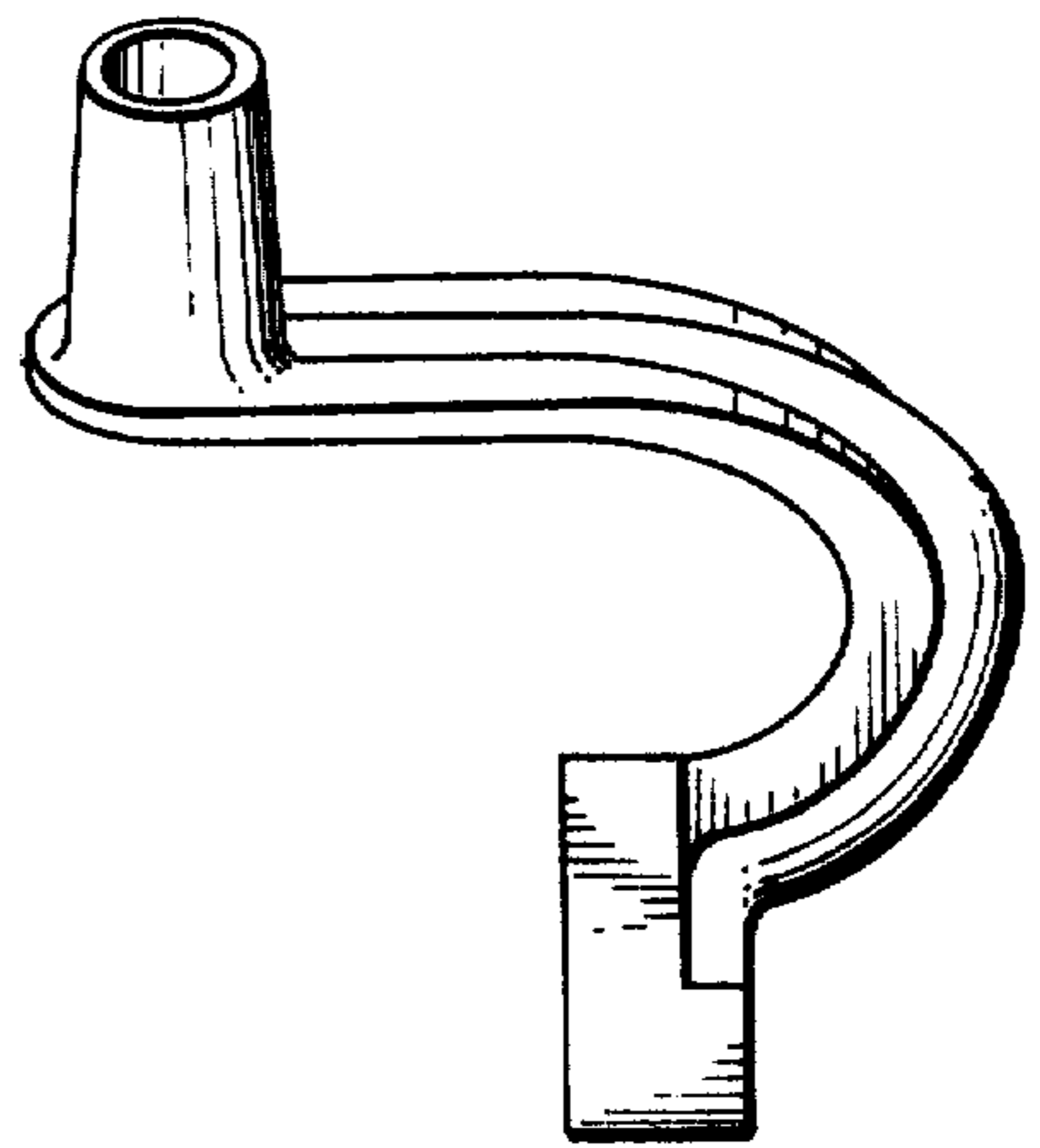
**FIG.2**



**FIG.3**



**FIG.4**



**FIG.5**

