

[54] **PHYSICAL EXERCISER**

[76] Inventor: **James H. Berner**, 121 Merritt Way,
Sacramento, Calif. 95825

[**] Term: **14 Years**

[21] Appl. No.: **325,115**

[22] Filed: **Nov. 27, 1981**

[51] Int. Cl. **D21-02**

[52] U.S. Cl. **D21/195**

[58] Field of Search 272/134, 112, 67, 132,
272/135, 136, 141, 93, 144, 145; D21/191-199

3,712,613 1/1973 Feather et al. 272/134

4,185,818 1/1980 Brentham 272/134

4,227,689 10/1980 Keiser 272/134

Primary Examiner—Charles A. Rademaker
Attorney, Agent, or Firm—Lothrop & West

[57] **CLAIM**

The ornamental design for a physical exerciser, as shown and described.

DESCRIPTION

FIG. 1 is a perspective view of a physical exerciser showing my new design;

FIG. 2 is a side elevational view thereof, the side opposite being a mirror image;

FIG. 3 is a top plan view thereof;

FIG. 4 is a left end elevational view thereof; and

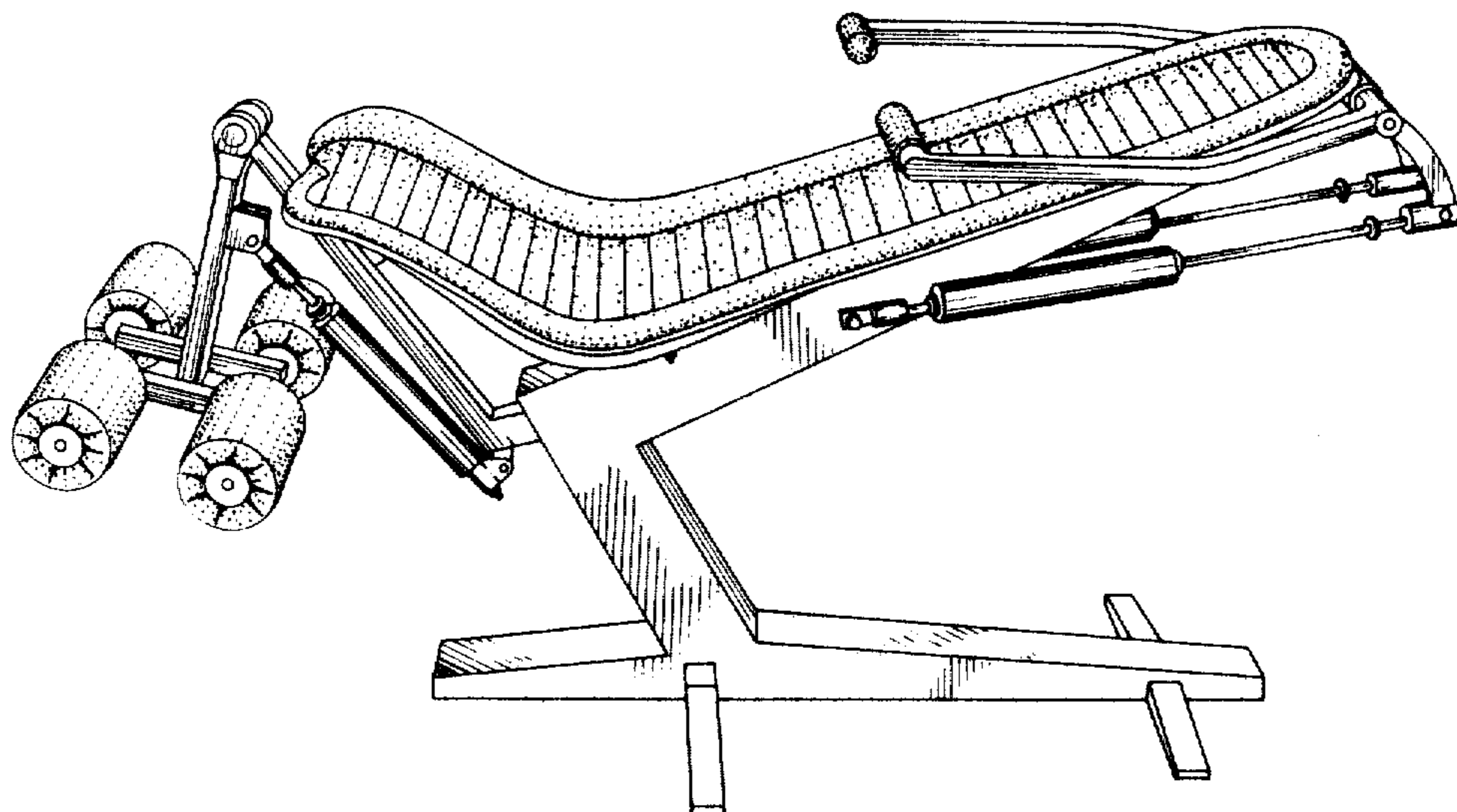
FIG. 5 is a right end elevational view thereof.

[56] **References Cited**

U.S. PATENT DOCUMENTS

D. 262,810 1/1982 Lynn D21/191

2,429,939 10/1947 Masterson et al. 272/112



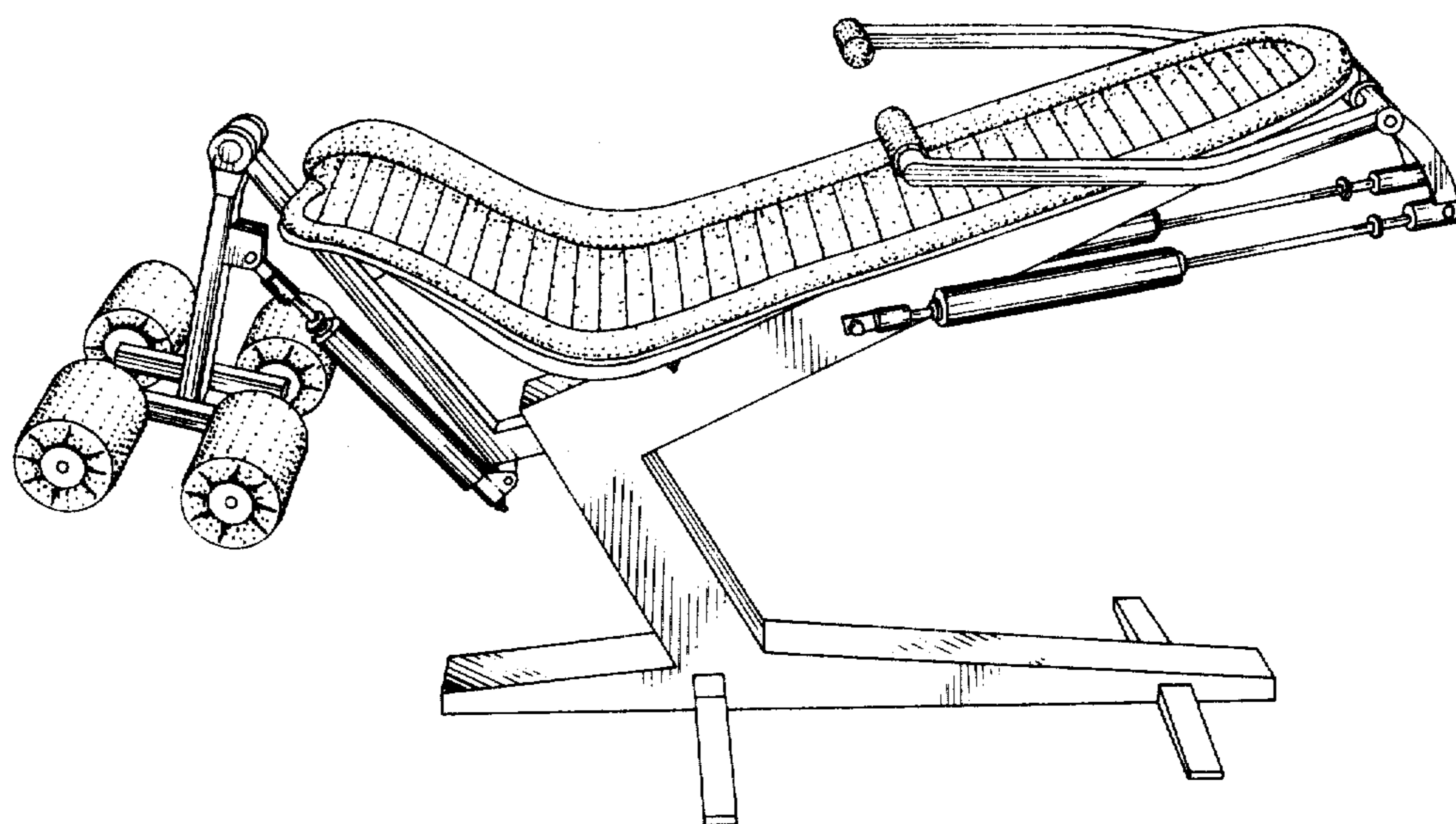


FIG - 1

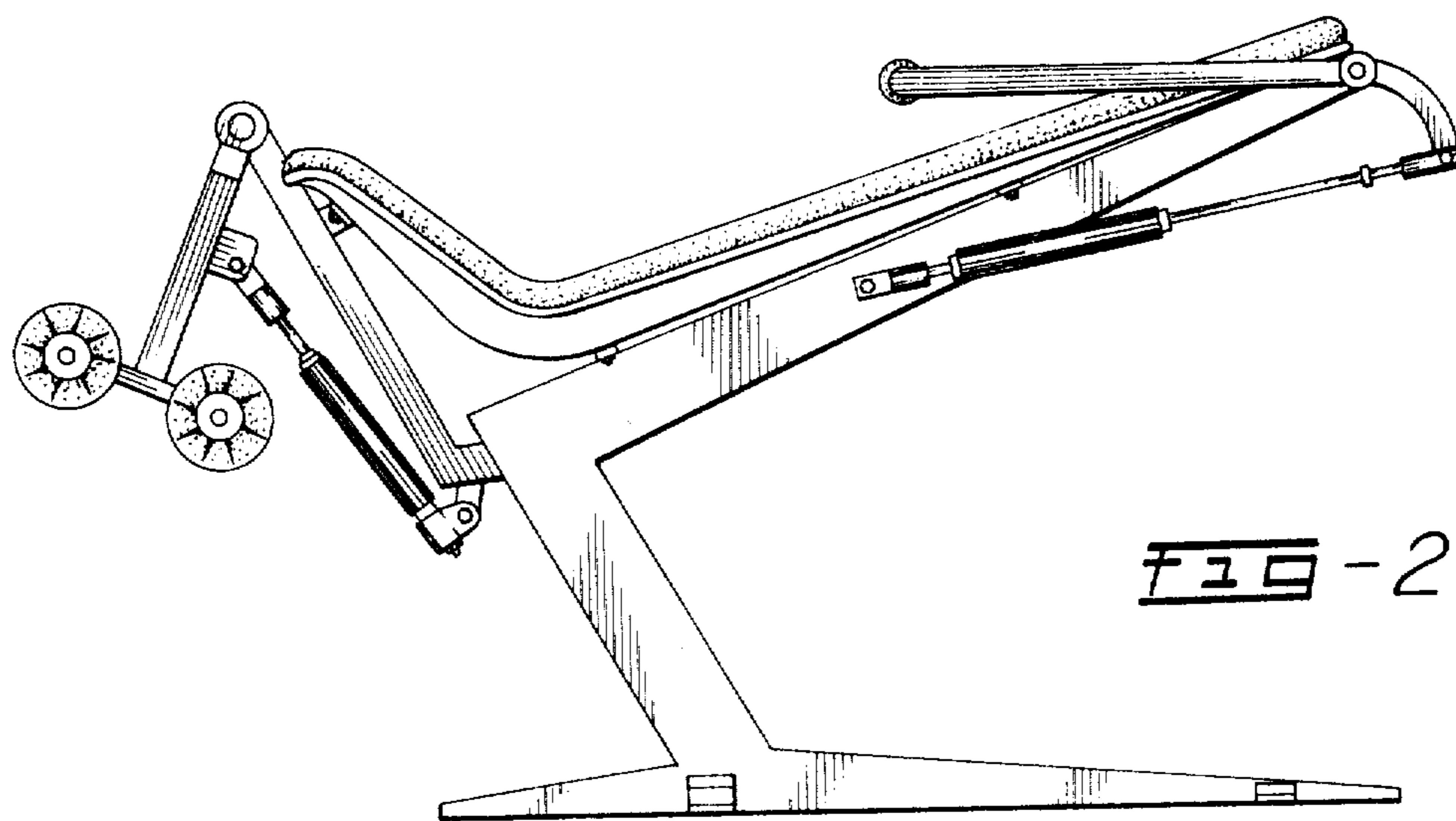


FIG - 2

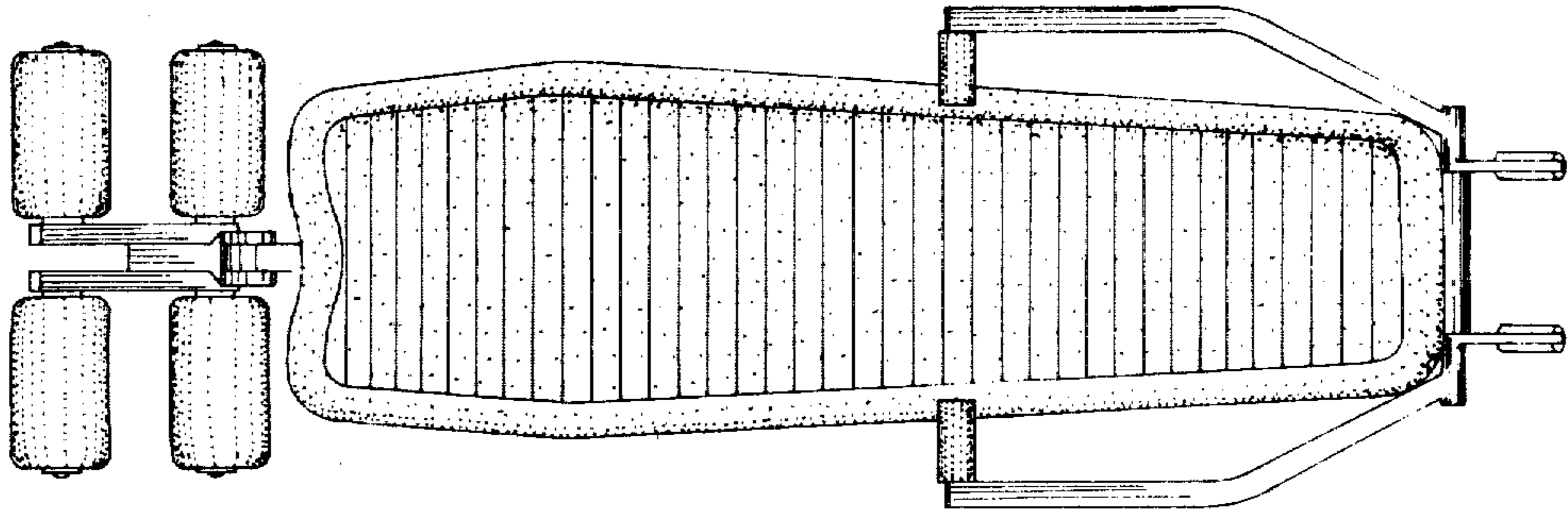


FIG-3

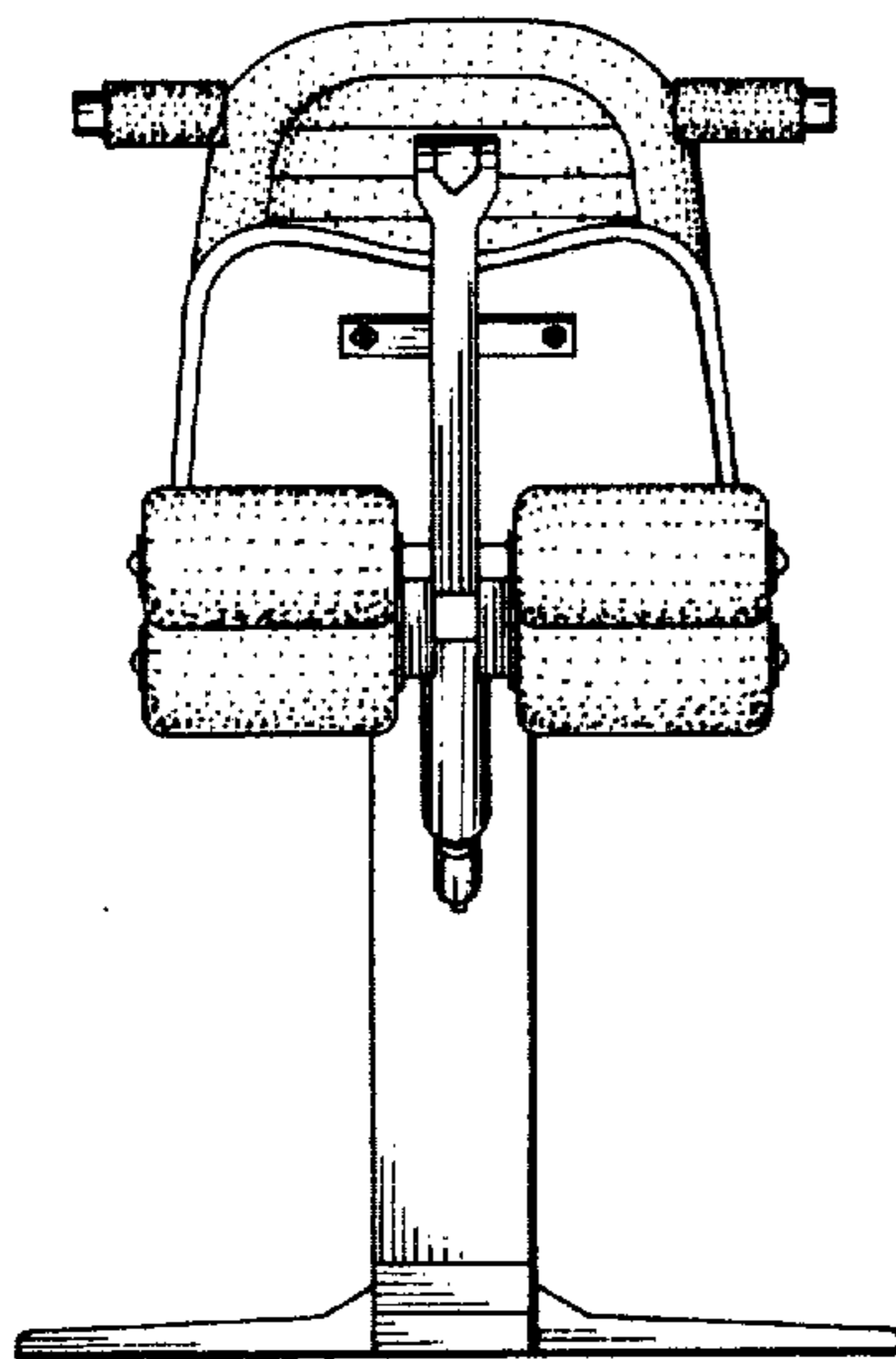


FIG-4

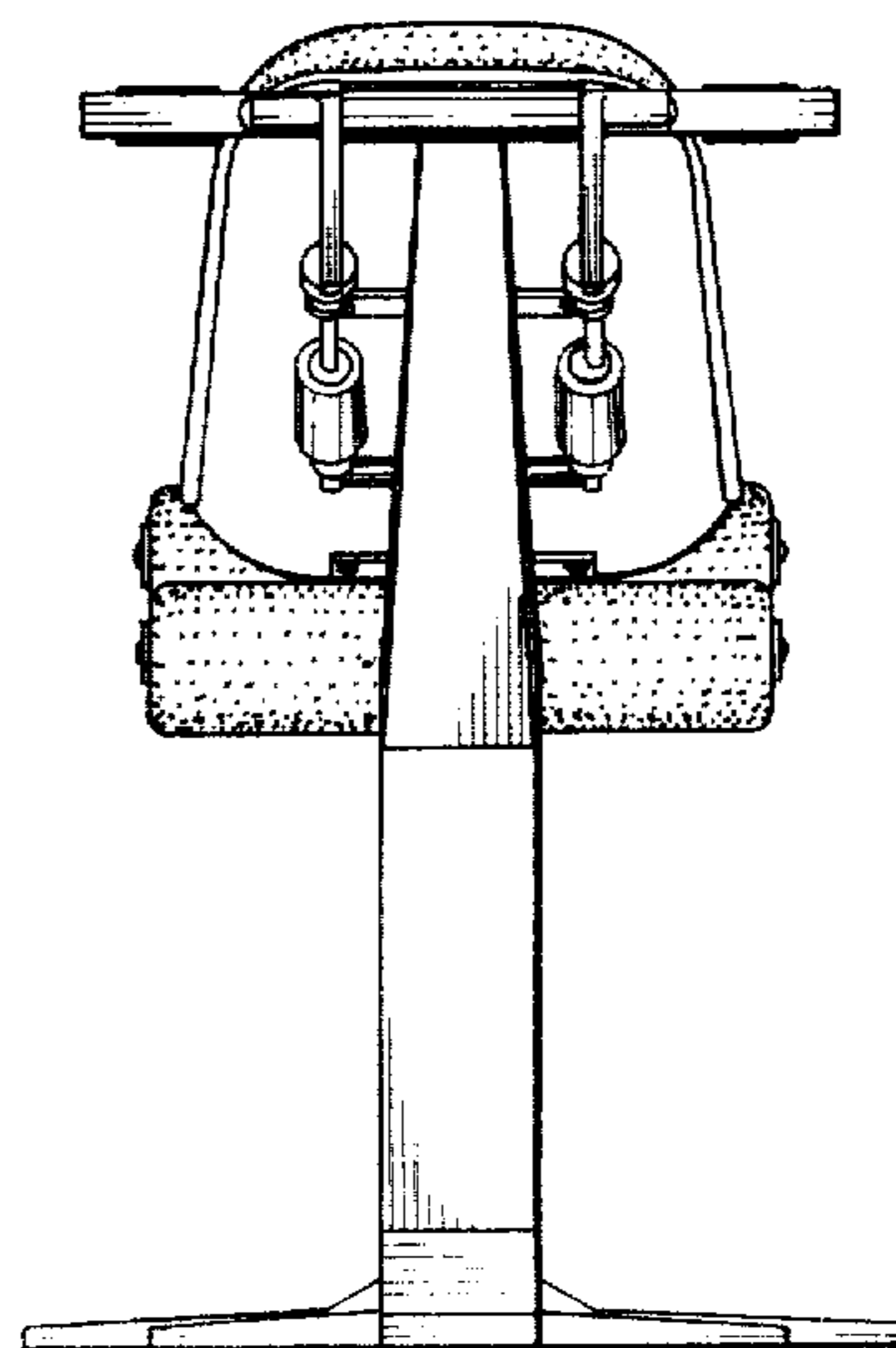


FIG-5