

[54] TOY RIDING CYCLE FOR CHILDREN

[75] Inventors: Frank Mercurio, Wallingford; Richard H. Ratkiewich, Prospect, both of Conn.

[73] Assignee: Coleco Industries, Inc., Hartford, Conn.

[**] Term: 14 Years

[21] Appl. No.: 271,432

[22] Filed: Jun. 8, 1981

[51] Int. Cl. D21-01

[52] U.S. Cl. D21/80; D12/112

[58] Field of Search D12/112; D21/80; 280/87.01, 87.02 R, 282; 296/177

[56] References Cited

U.S. PATENT DOCUMENTS

D. 231,004 3/1974 Brightbill D12/112
D. 231,346 4/1974 Baynes et al. D12/112

Primary Examiner—James M. Gandy

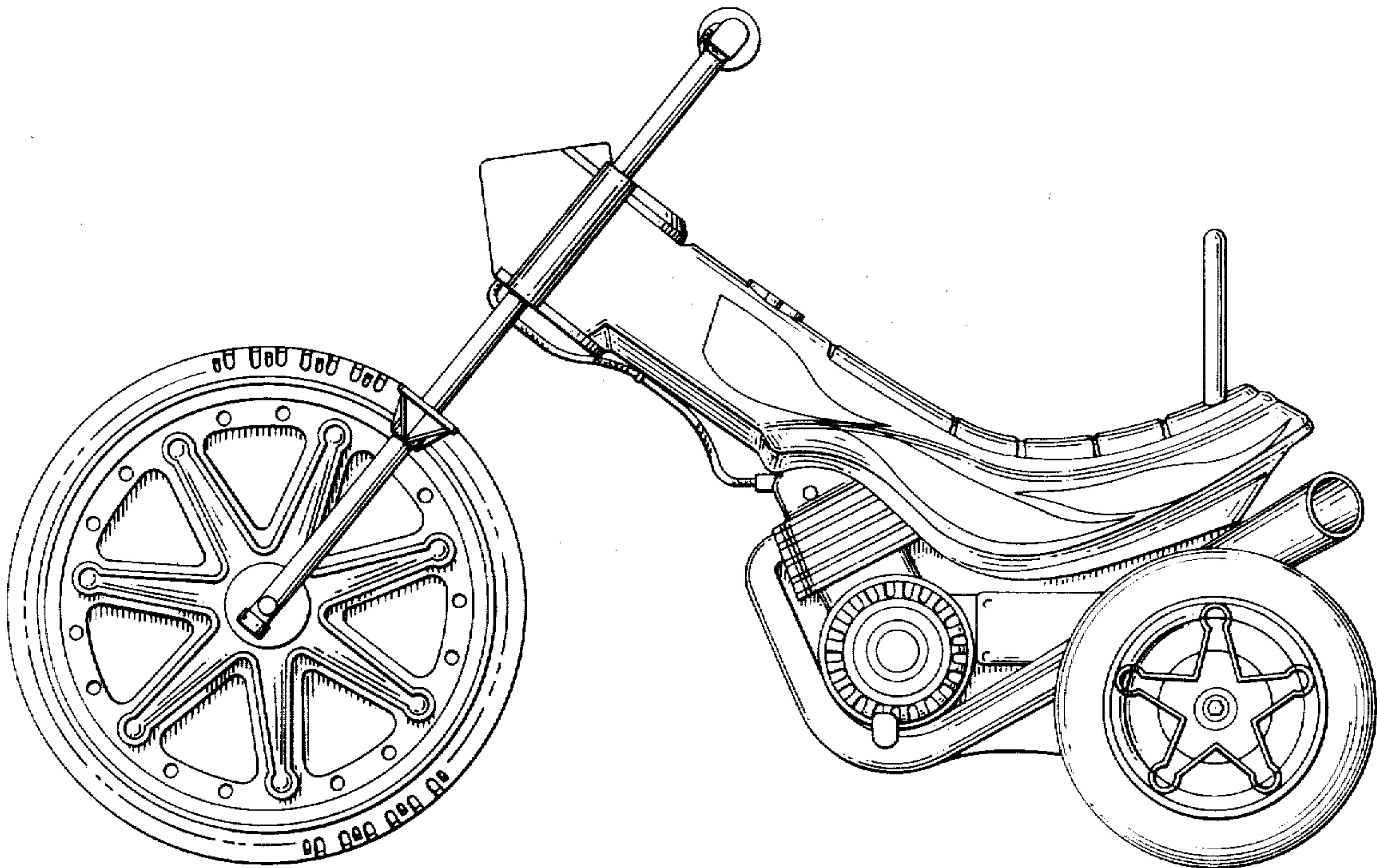
[57] CLAIM

The ornamental design for a toy riding cycle for children, as shown and described.

DESCRIPTION

FIG. 1 is a left side elevational view of a toy riding cycle for children showing our new design; FIG. 2 is a right side elevational view thereof; FIG. 3 is a front perspective view thereof; FIG. 4 is a rear perspective view thereof; FIG. 5 is a top perspective view thereof; and FIG. 6 is a bottom perspective view thereof.

The dot-dash lines in the drawing are to indicate that the tread pattern which has been partially shown is repeated throughout the circumference of the front and rear tires.



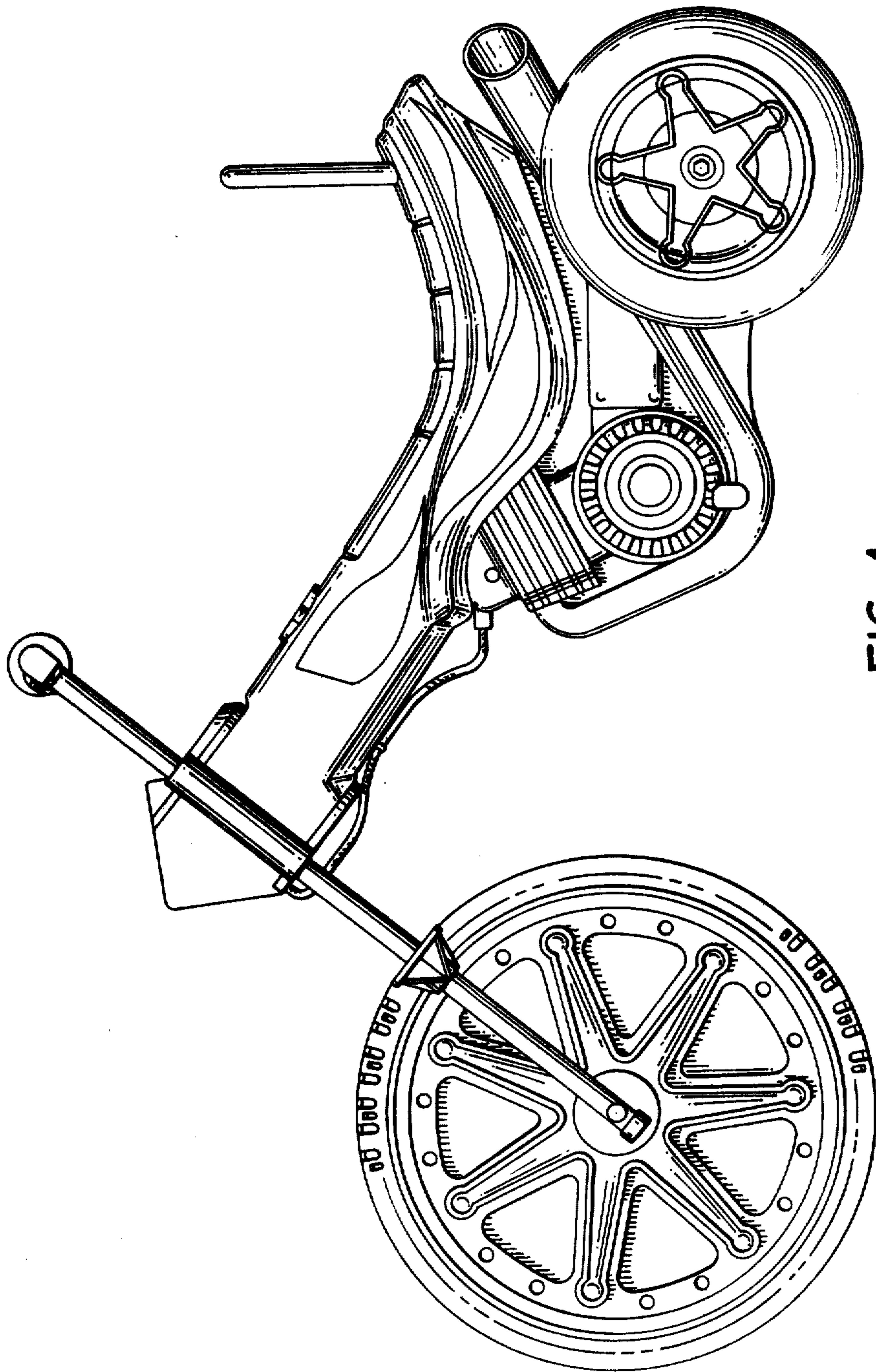


FIG. 1

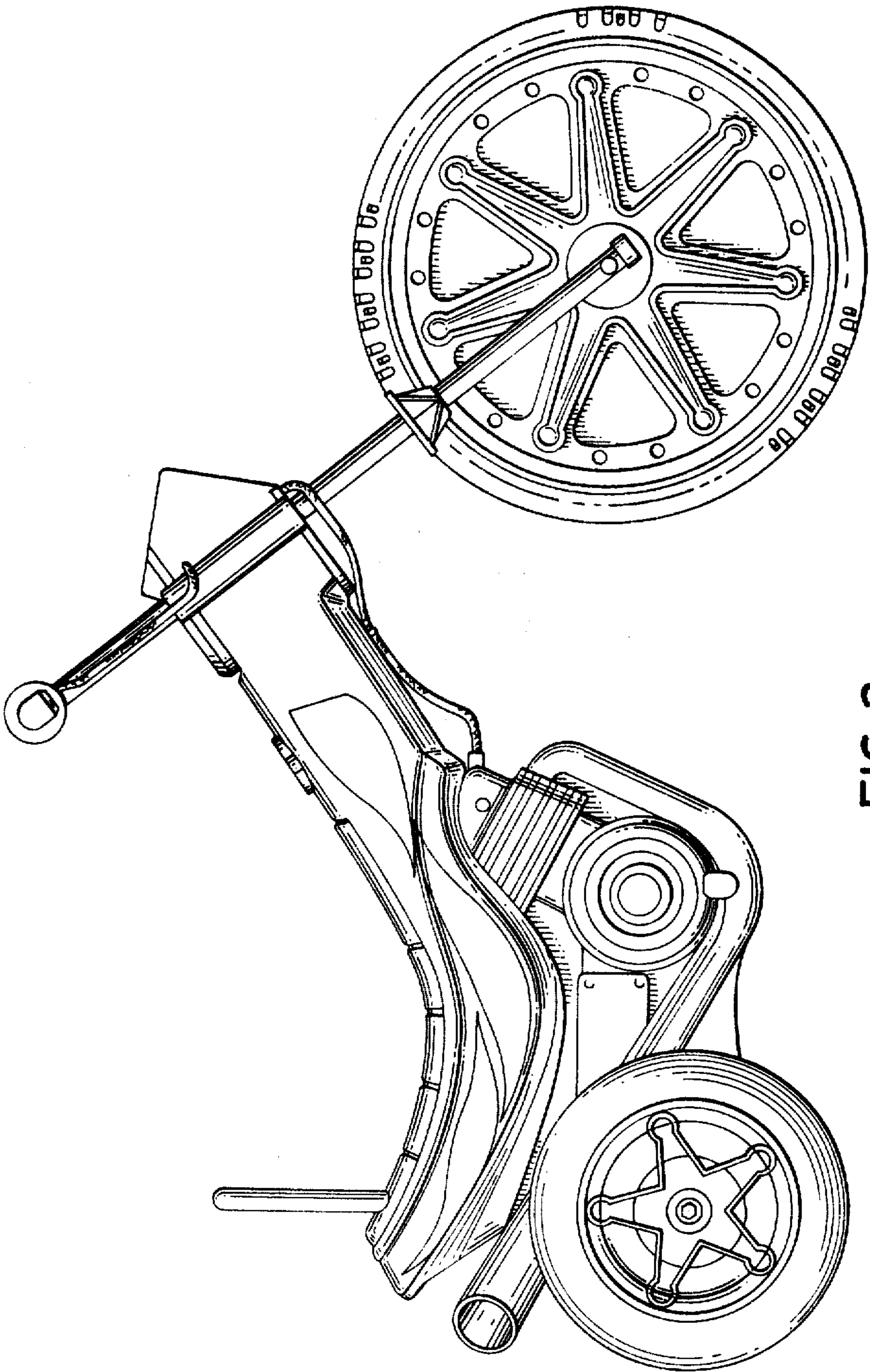
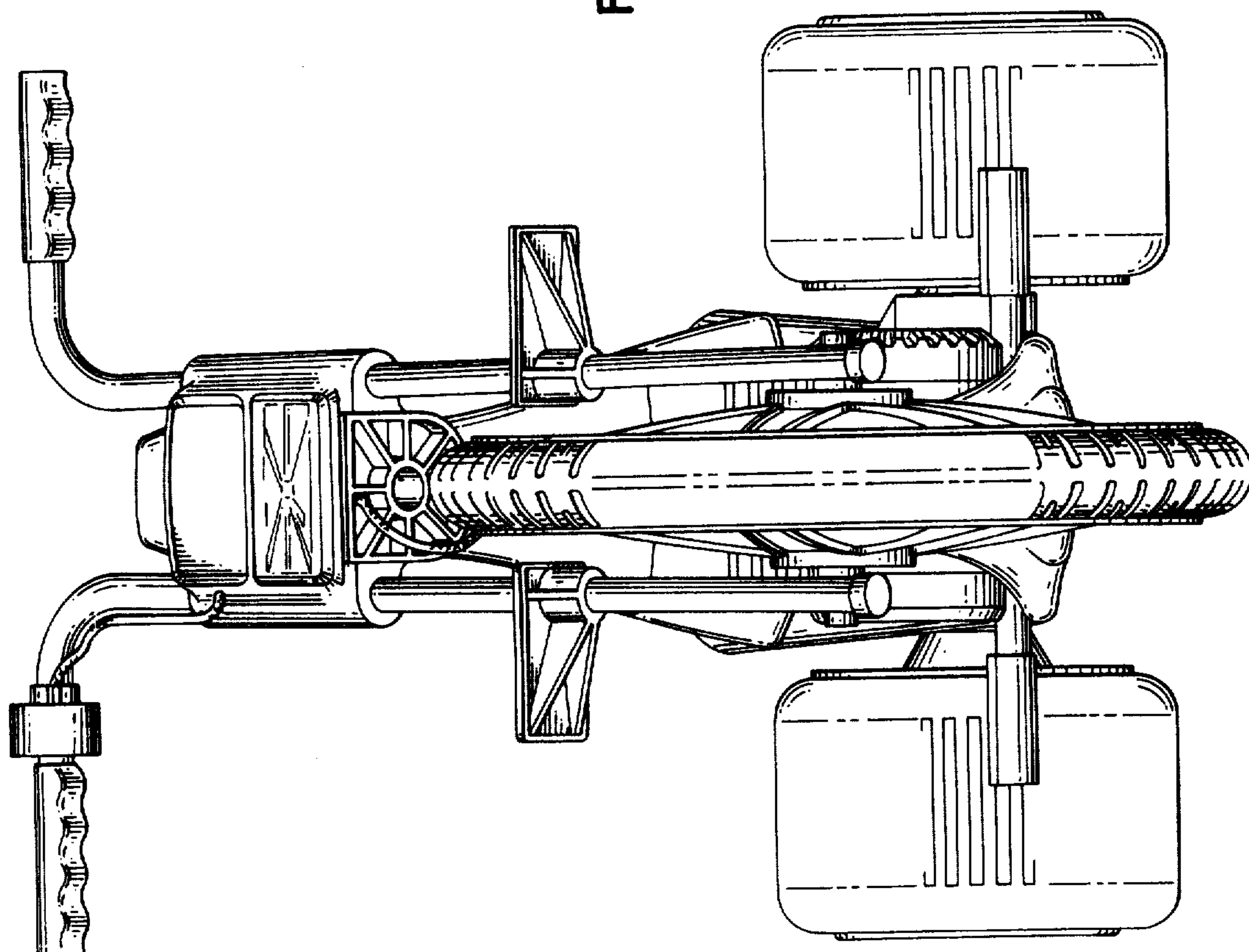


FIG. 2

FIG. 3



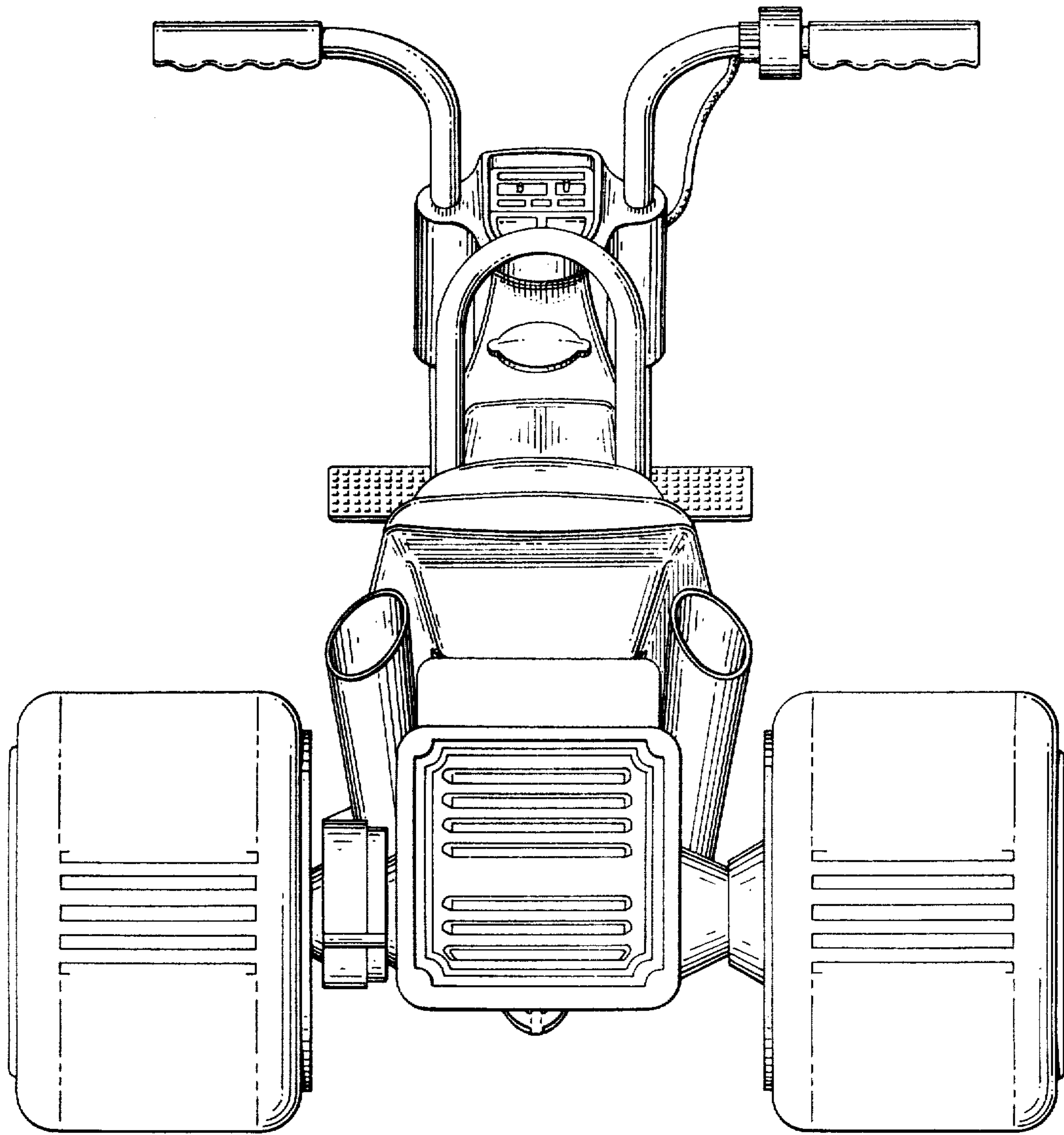


FIG. 4

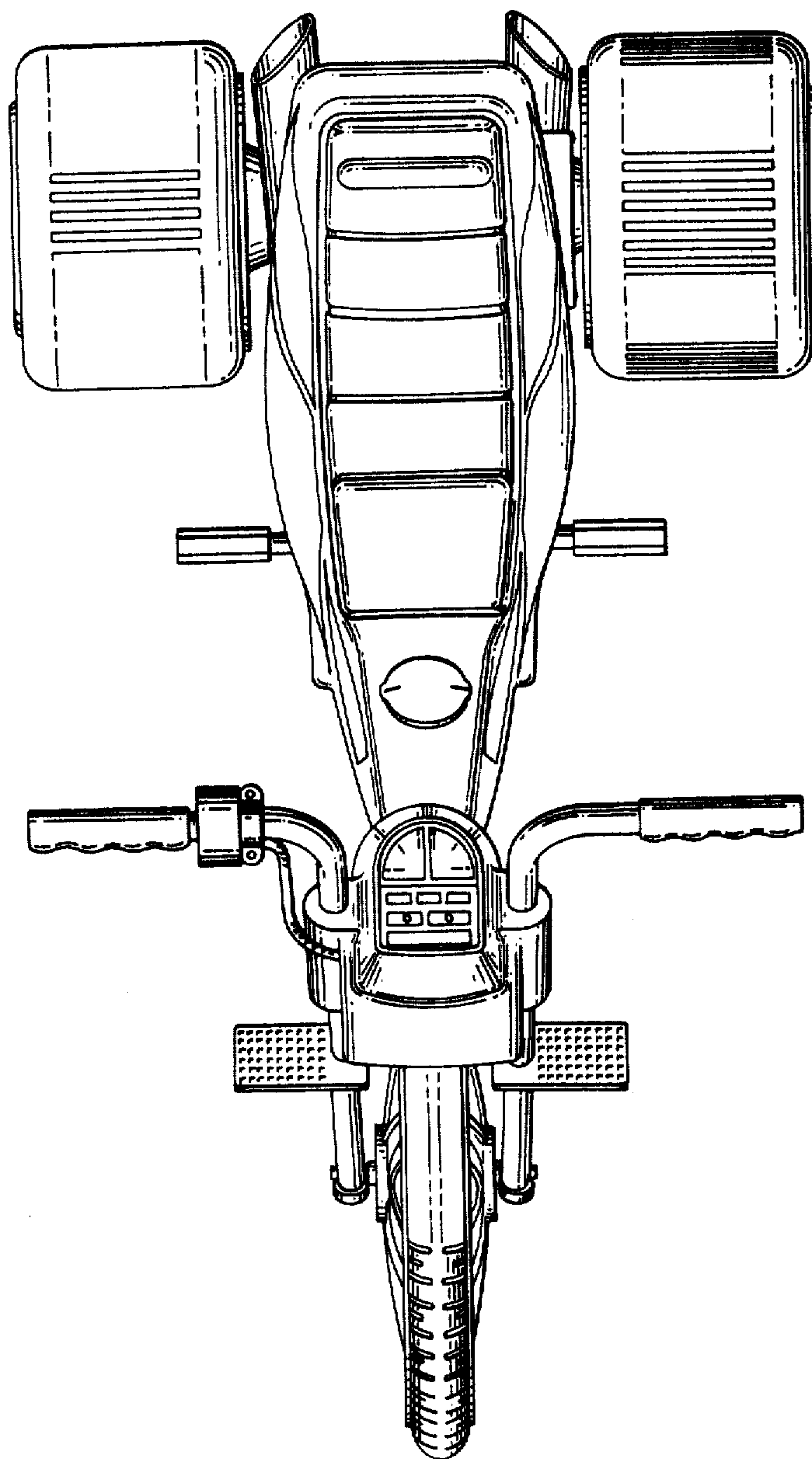


FIG. 5

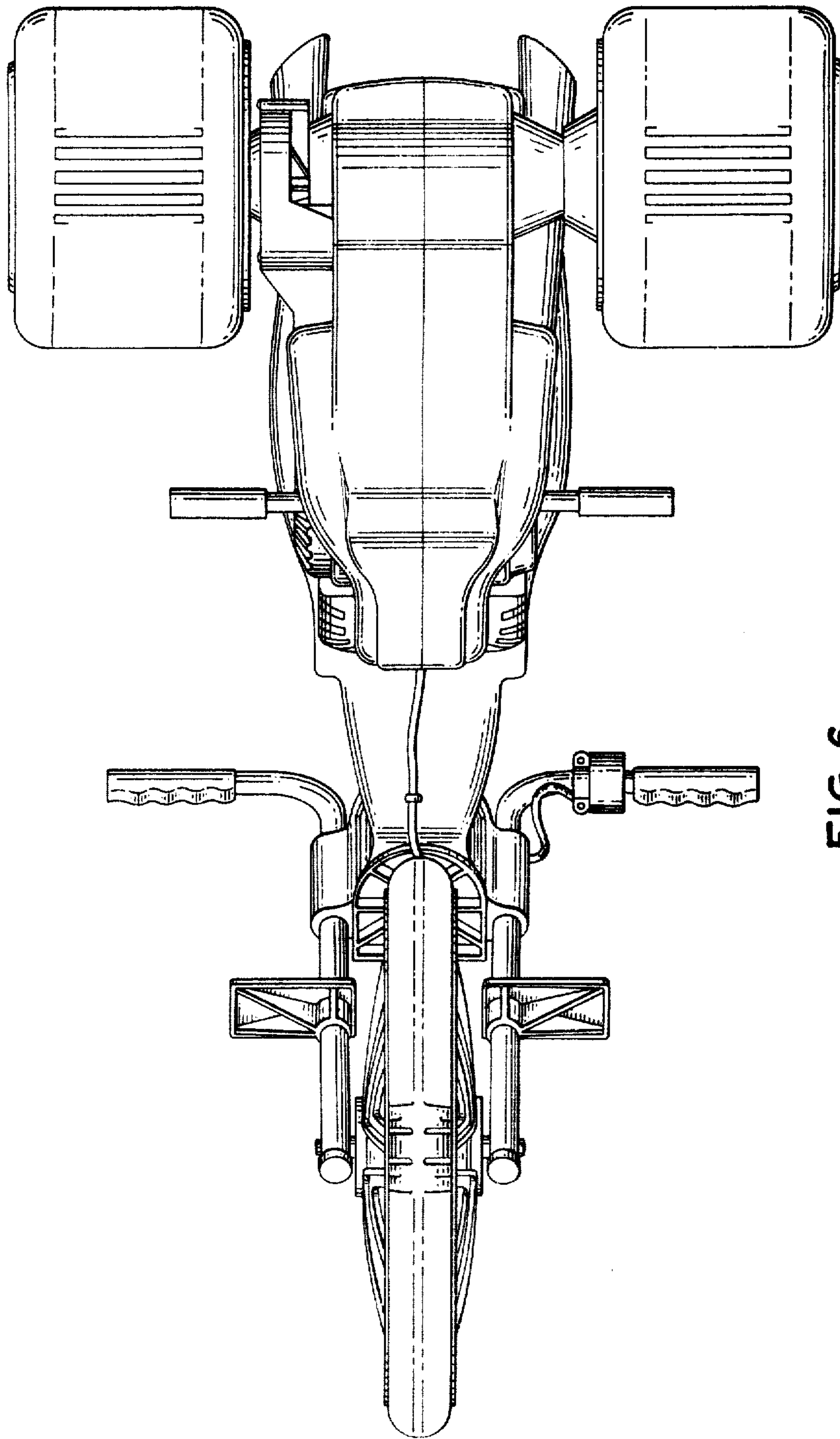


FIG. 6