

[54] TOY TRACKWAY

[75] Inventors: **Ottilia Z. Taylor**, San Carlos; **Janos J. Lazar**, Redwood City, both of Calif.

[73] Assignee: **Injection Mold Partners, Ltd.**, San Rafael, Calif.

[\*\*] Term: **14 Years**

[21] Appl. No.: **182,415**

[22] Filed: **Oct. 17, 1980**

[51] Int. Cl. .... **D21-01**

[52] U.S. Cl. .... **D21/59; D21/101; D21/143**

[58] Field of Search ..... 272/117, 119, 116, 93; 46/47, 51; D21/59, 101, 143

[56] **References Cited**

**U.S. PATENT DOCUMENTS**

2,485,064 10/1949 Paclan ..... 46/47  
3,532,340 10/1970 Nardiello ..... 46/47

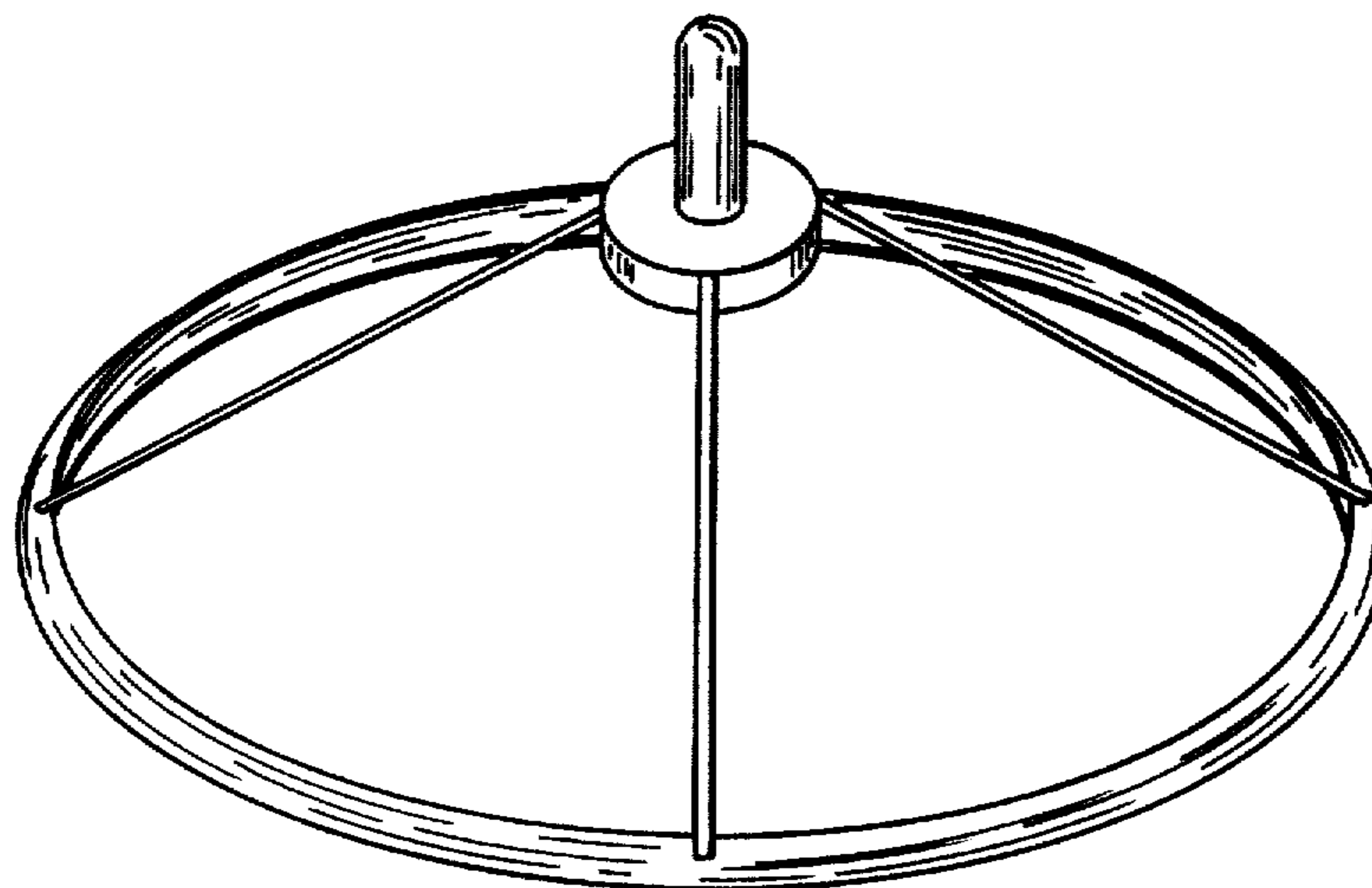
*Primary Examiner*—Charles A. Rademaker  
*Attorney, Agent, or Firm*—Flehr, Hohbach, Test, Albritton & Herbert

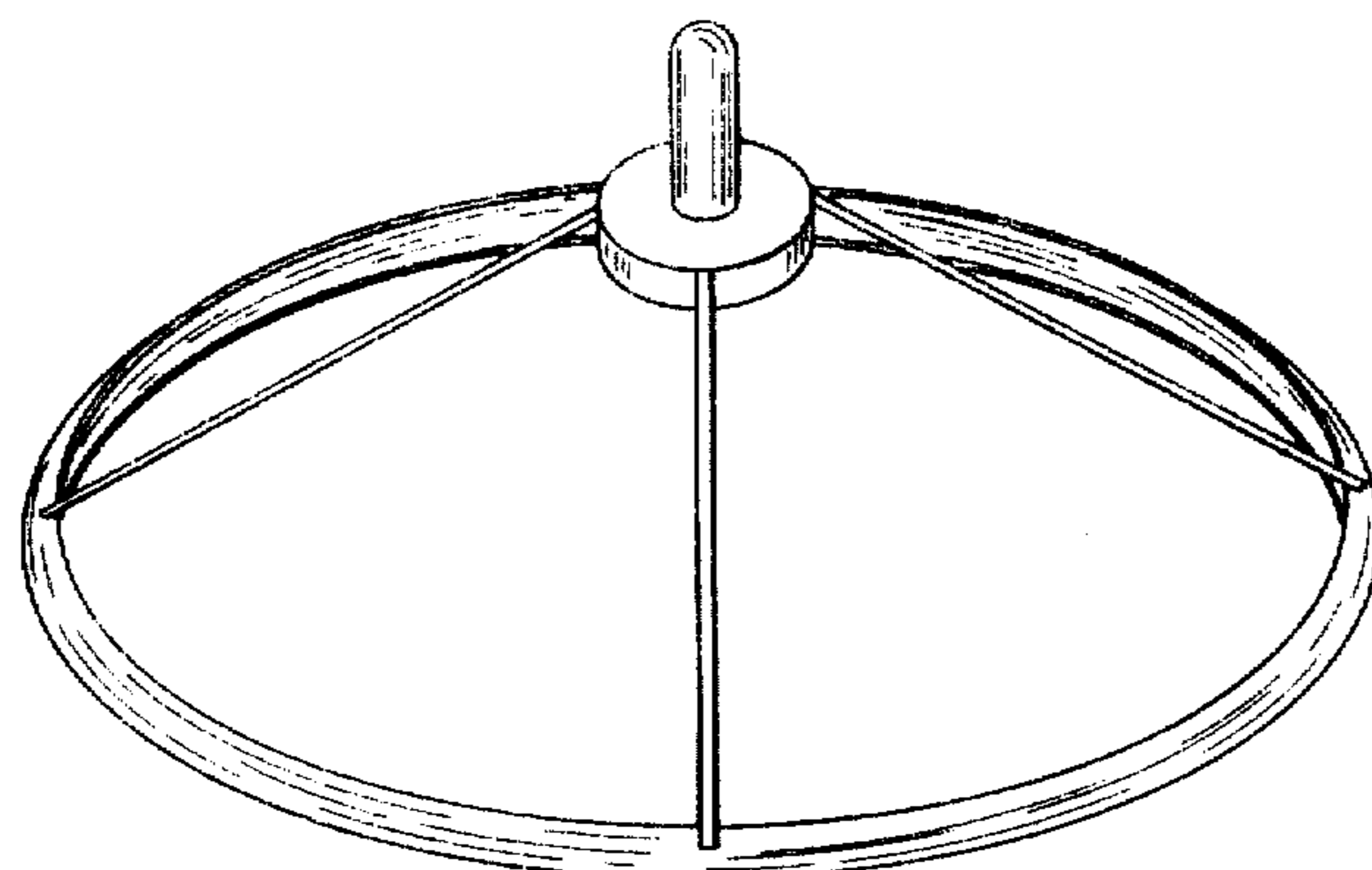
[57] **CLAIM**

The ornamental design for a toy trackway, as shown and described.

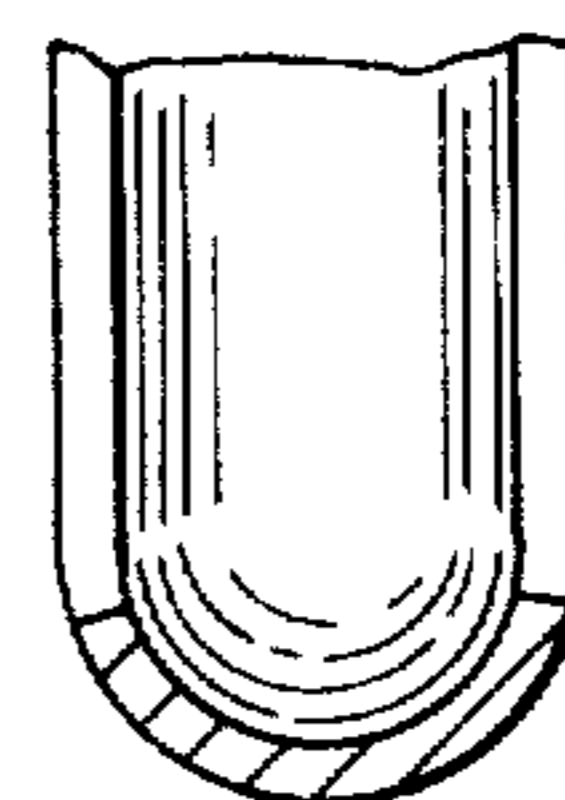
**DESCRIPTION**

FIG. 1 is a top perspective view of a toy trackway showing our new design;  
FIG. 2 is a top plan view thereof;  
FIG. 3 is a side elevational view thereof;  
FIG. 4 is a cross-sectional view thereof taken along line 4—4 in FIG. 2 shown on an enlarged scale; and  
FIG. 5 is a cross-sectional view taken along line 5—5 in FIG. 2.

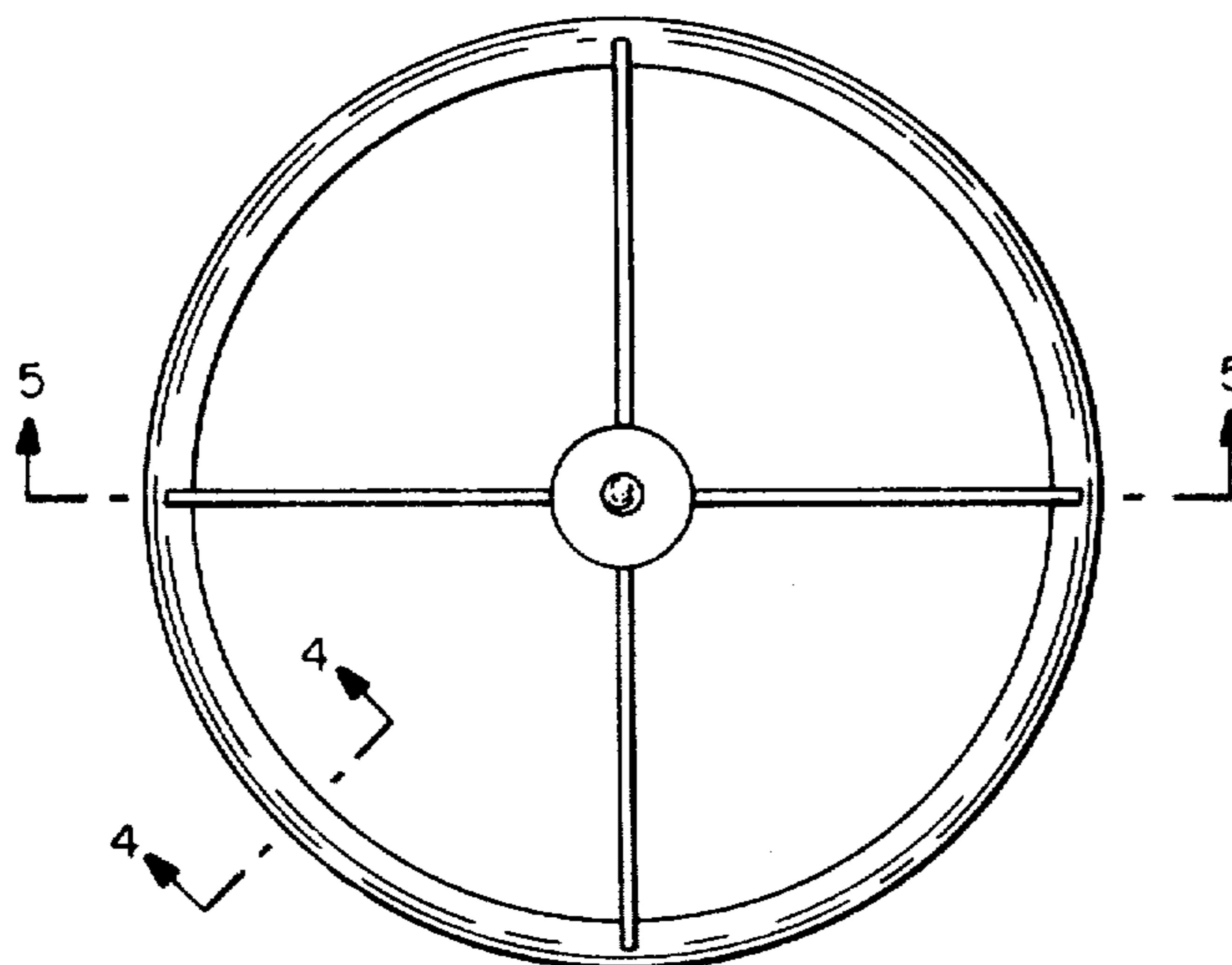




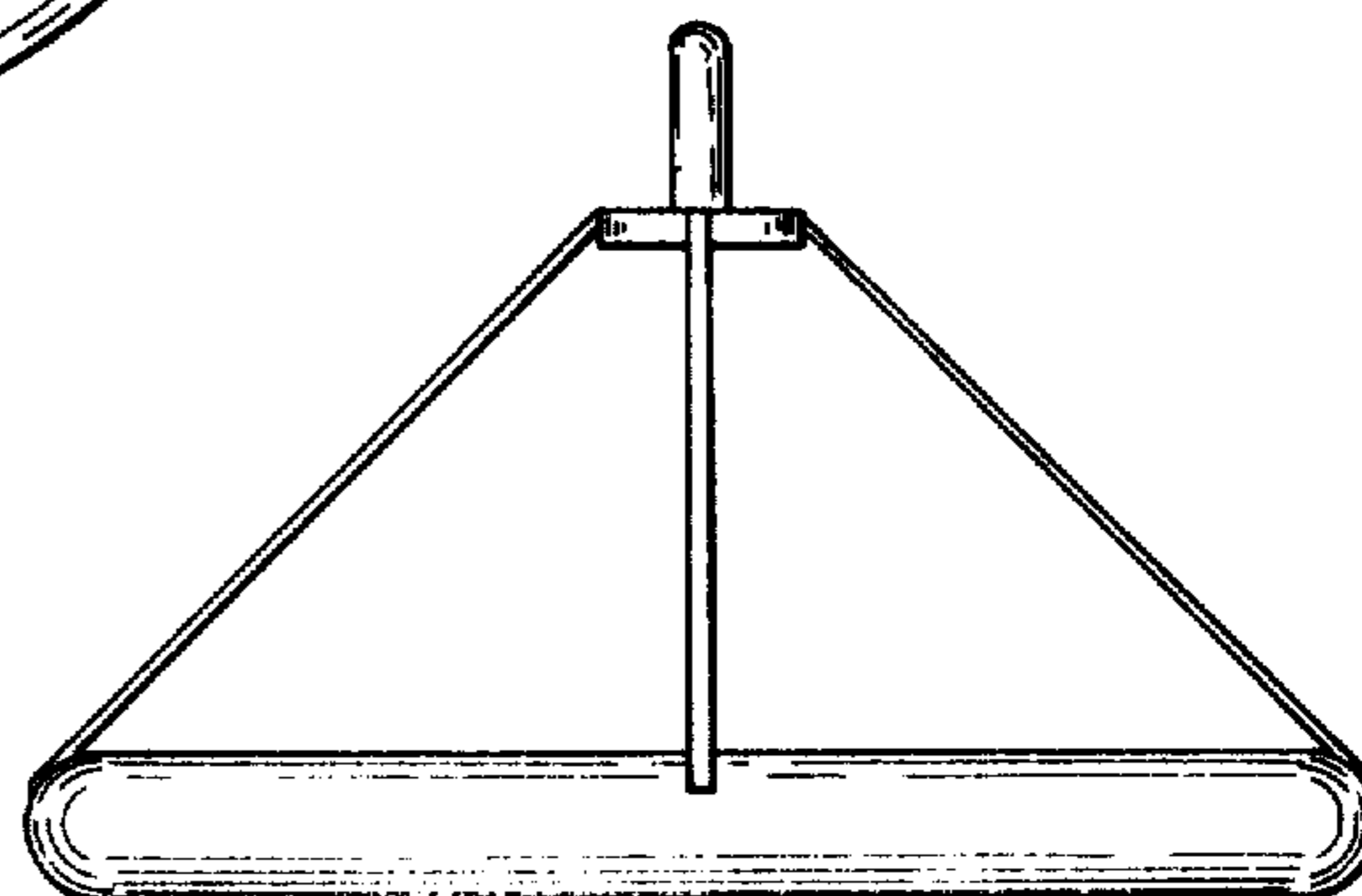
**FIG. — 1**



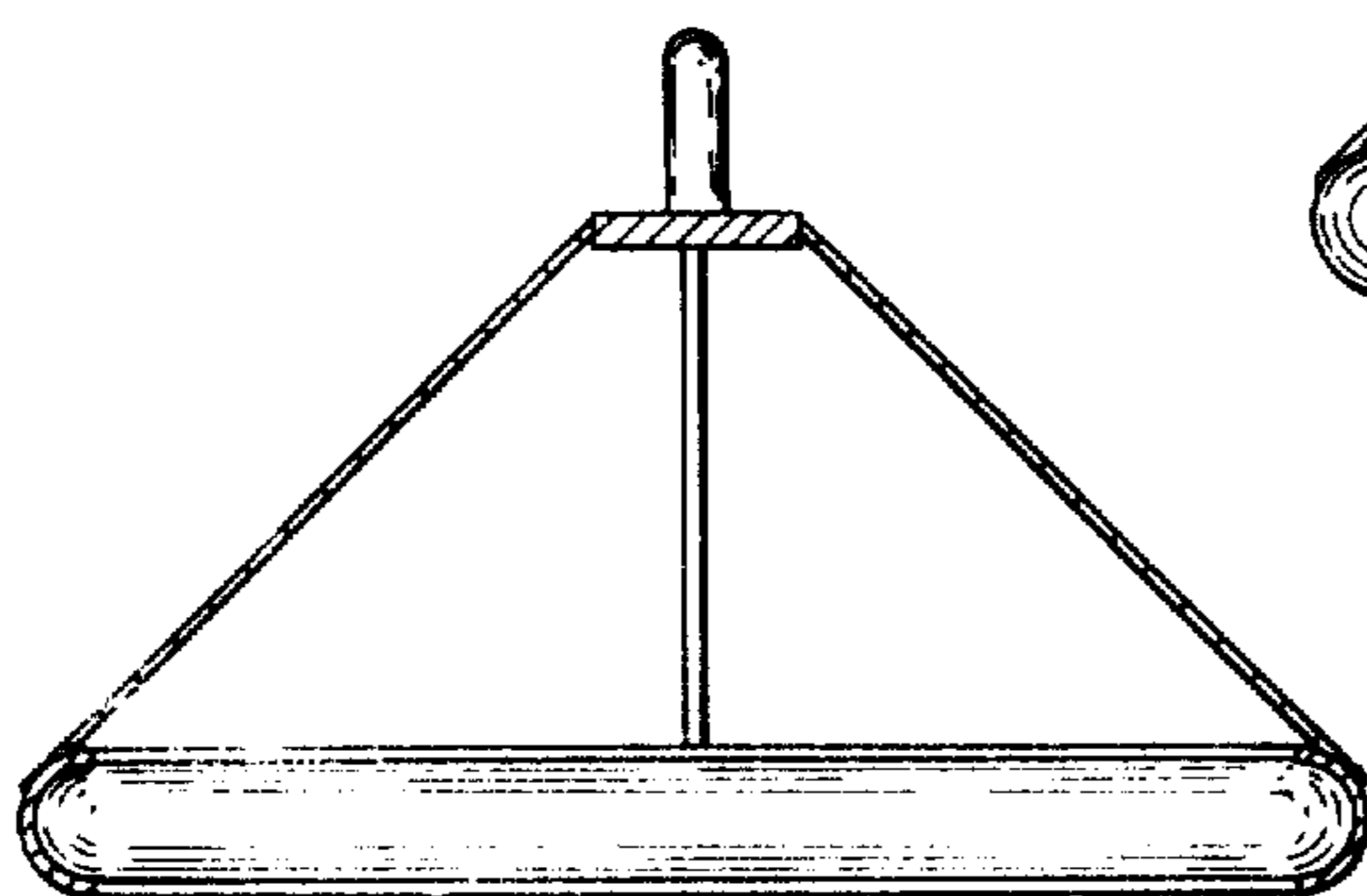
**FIG. — 4**



**FIG. — 2**



**FIG. — 3**



**FIG. — 5**