

[54] COMBINED VACUUM PUMP AND CONTROL VALVE THEREFOR

[75] Inventor: Yoji Ise, Tokyo, Japan

[73] Assignee: Myotoku Ltd., Japan

[**] Term: 14 Years

[21] Appl. No.: 312,568

[22] Filed: Oct. 19, 1981

[30] Foreign Application Priority Data

Apr. 30, 1981 [JP] Japan 56-18296

[51] Int. Cl. D15-02

[52] U.S. Cl. D15/7

[58] Field of Search D15/7, 9; 294/64.1, 294/64.2, 65.5

[56] References Cited

U.S. PATENT DOCUMENTS

D. 215,883 11/1969 Svenson D15/7
3,759,560 9/1973 Yoda et al. 294/64.1

3,785,691 1/1974 Sperry 294/64.1

FOREIGN PATENT DOCUMENTS

52-446905 4/1977 Japan D15/7 X

Primary Examiner—Wallace R. Burke
Assistant Examiner—Lynn Wilder
Attorney, Agent, or Firm—Biebel, French & Nauman

[57] CLAIM

The ornamental design for a combined vacuum pump and control valve therefor, substantially as shown and described.

DESCRIPTION

FIG. 1 is a perspective view of a combined vacuum pump and control valve therefor showing my new design;
FIG. 2 is a top plan view thereof;
FIG. 3 is a rear end elevational view thereof;
FIG. 4 is a side elevational view thereof, the other side being a mirror image;
FIG. 5 is a front end elevational view thereof; and
FIG. 6 is a bottom plan view thereof.

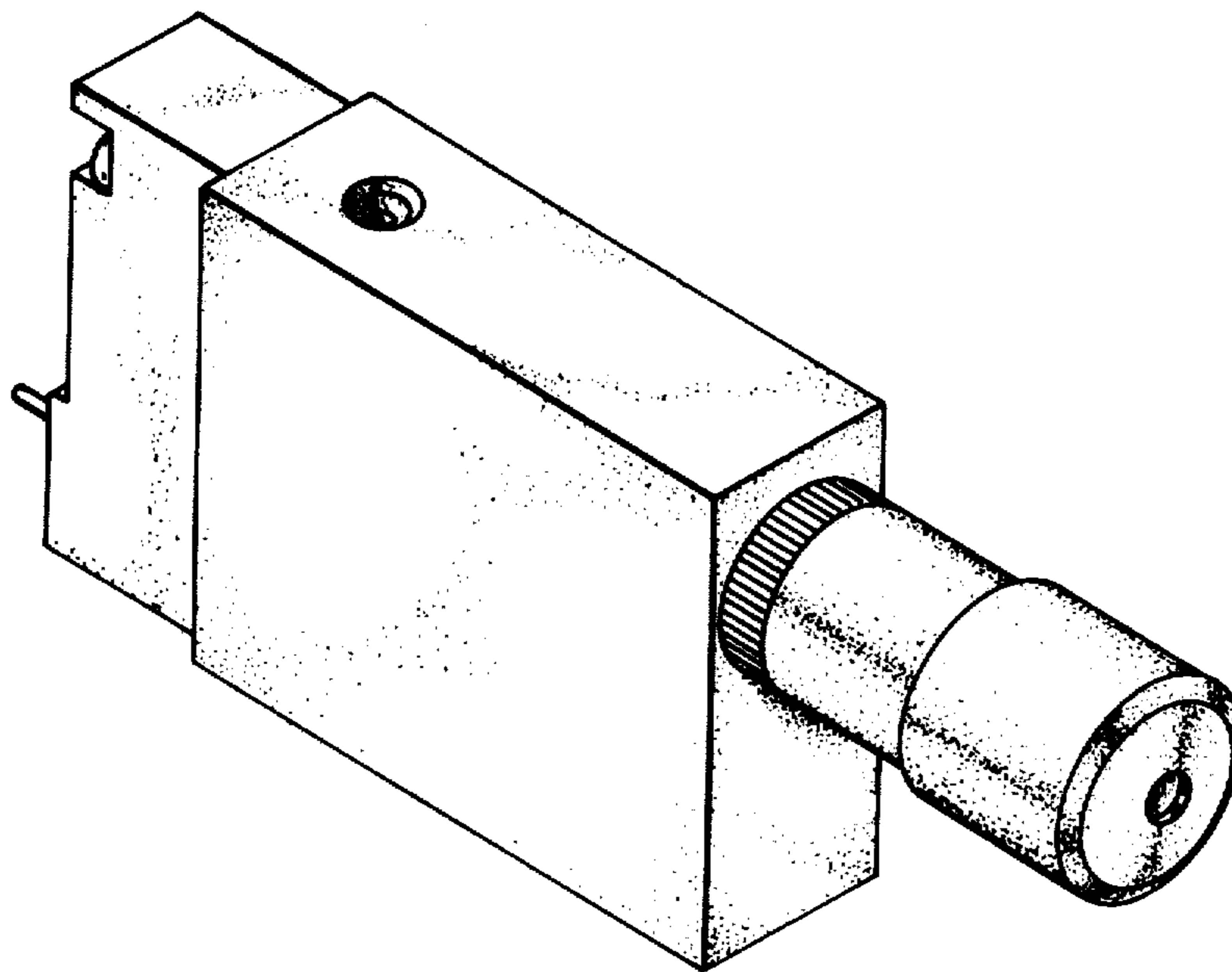


FIG-1

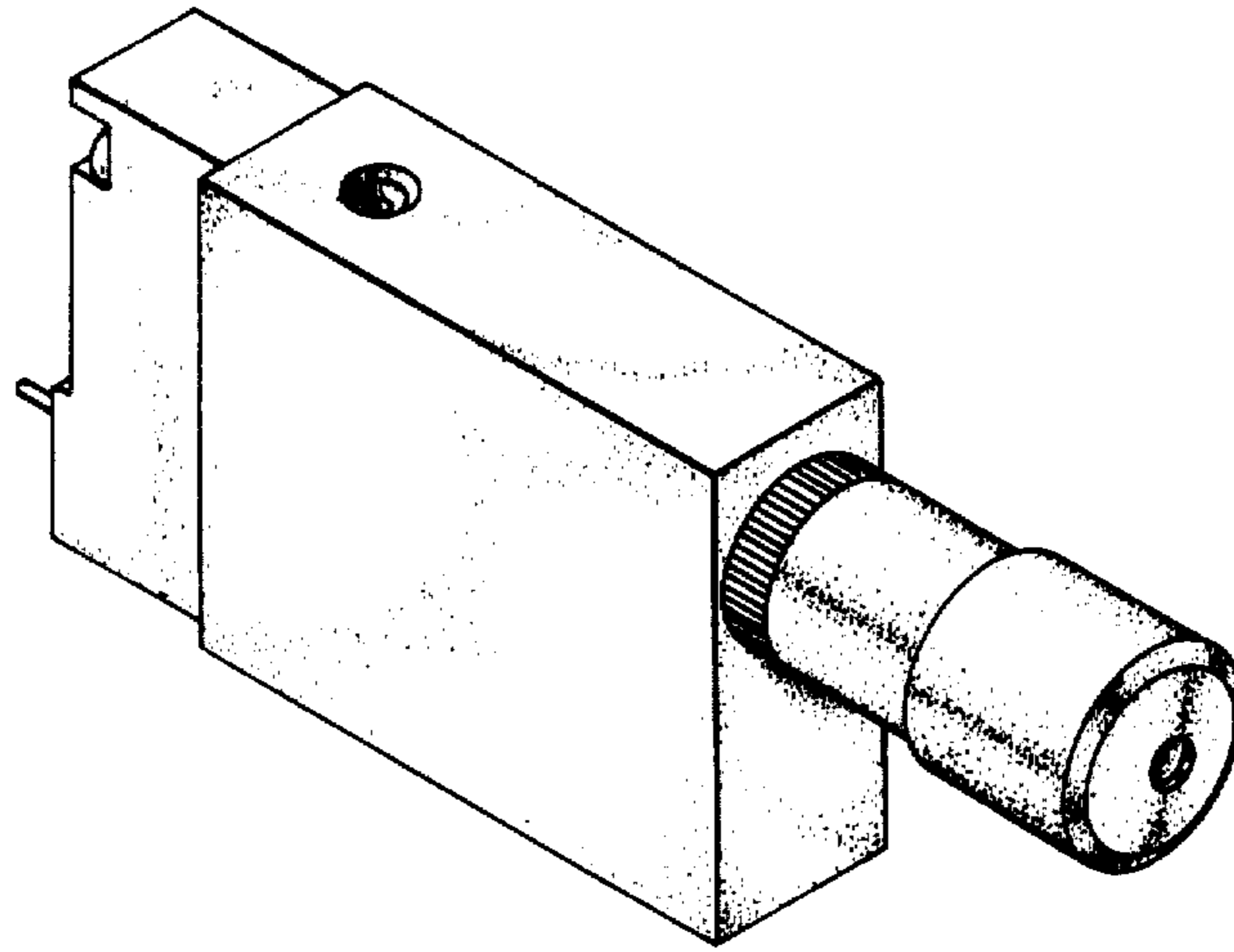


FIG-2

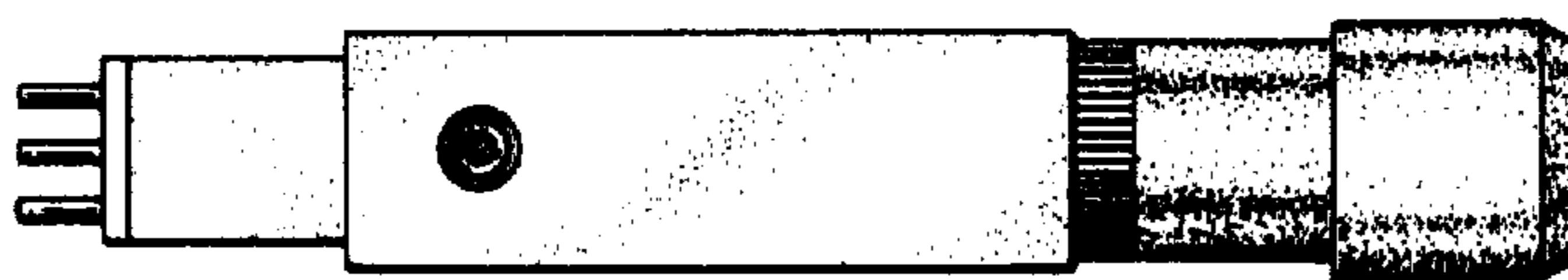


FIG-3



FIG-4

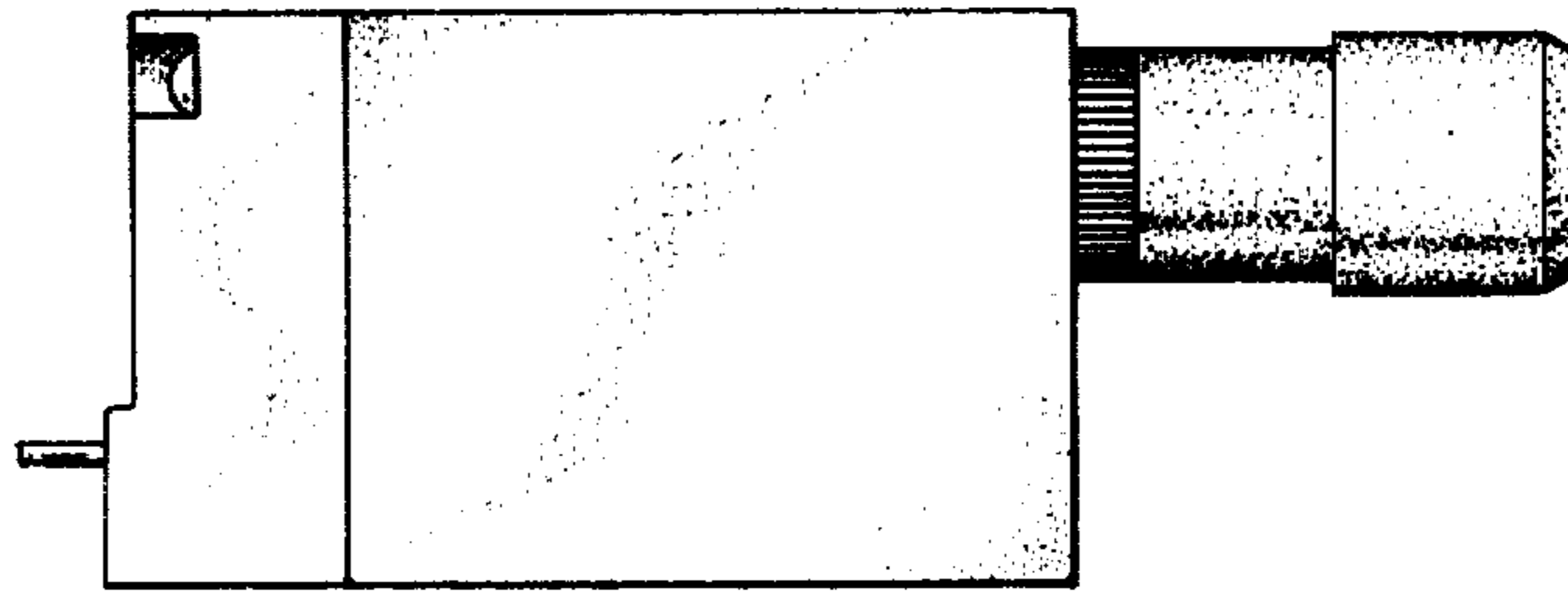


FIG-5

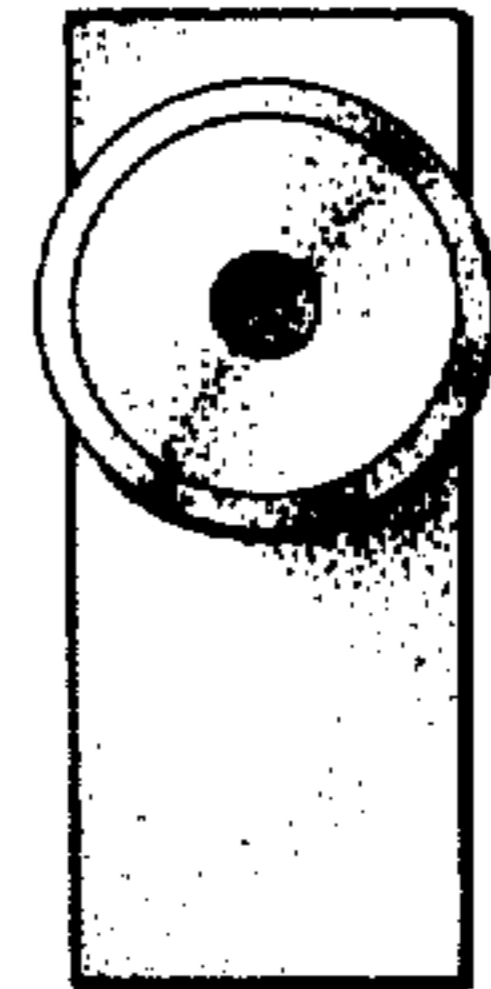


FIG-6

