

[54] AIR DOME FOR PUMPING AND DEWATERING SYSTEMS

[75] Inventor: Wendell L. Bradford, Corona, Calif.

[73] Assignee: Stang Hydronics Inc., Orange, Calif.

[\*\*] Term: 14 Years

[21] Appl. No.: 284,617

[22] Filed: Jul. 20, 1981

[51] Int. Cl. .... D15-02

[52] U.S. Cl. .... D15/7

[58] Field of Search ..... D15/7, 9; 294/64.1, 294/64.2, 65.5; 417/393, 395, 423; 415/206, 207

[56] References Cited

U.S. PATENT DOCUMENTS

- D. 151,019 9/1948 Theis ..... D15/7
- D. 242,650 12/1976 McKesson ..... D15/7

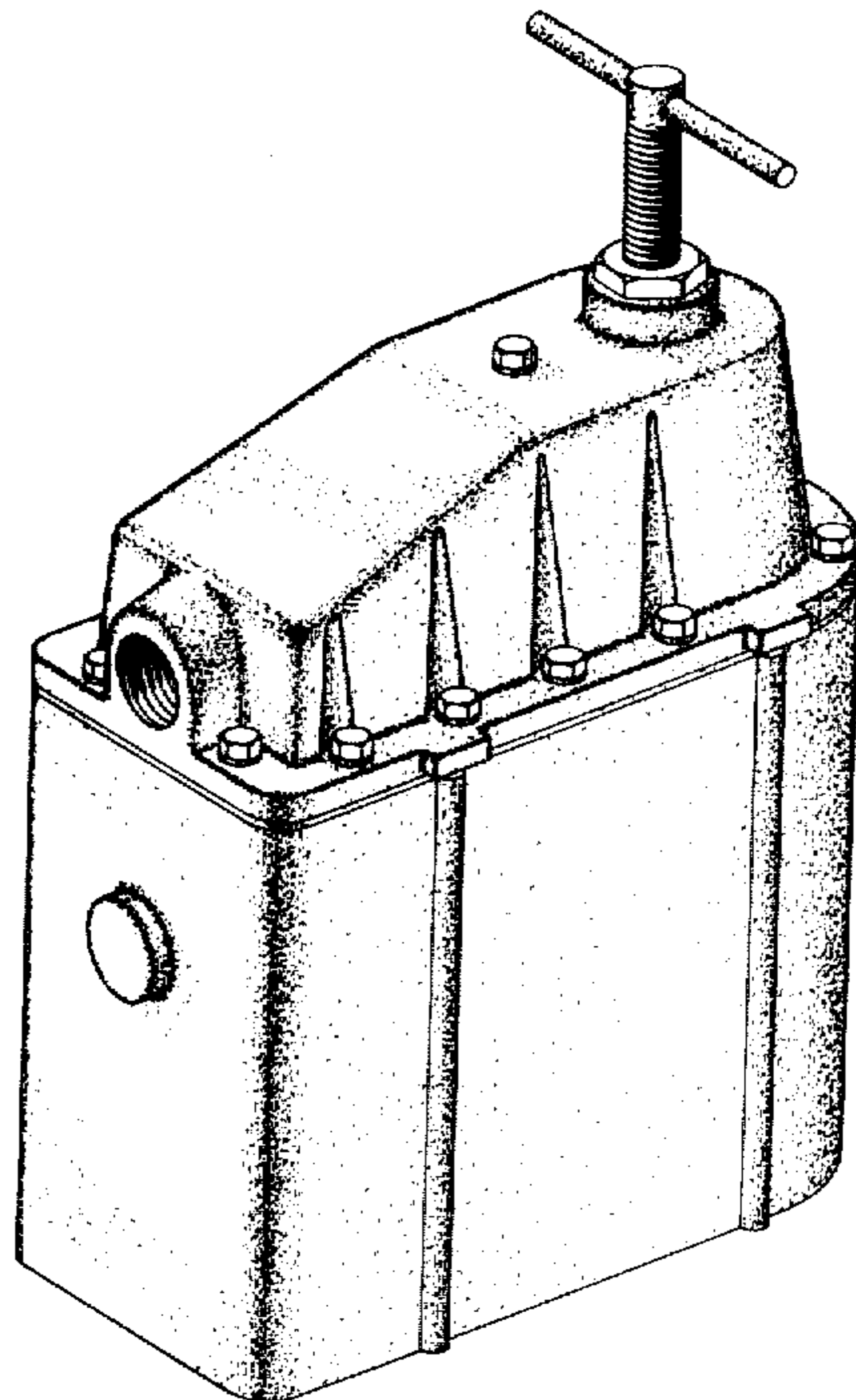
Primary Examiner—Wallace R. Burke  
Assistant Examiner—Lynn Wilder  
Attorney, Agent, or Firm—Gausewitz, Carr, Rothenberg & Edwards

[57] CLAIM

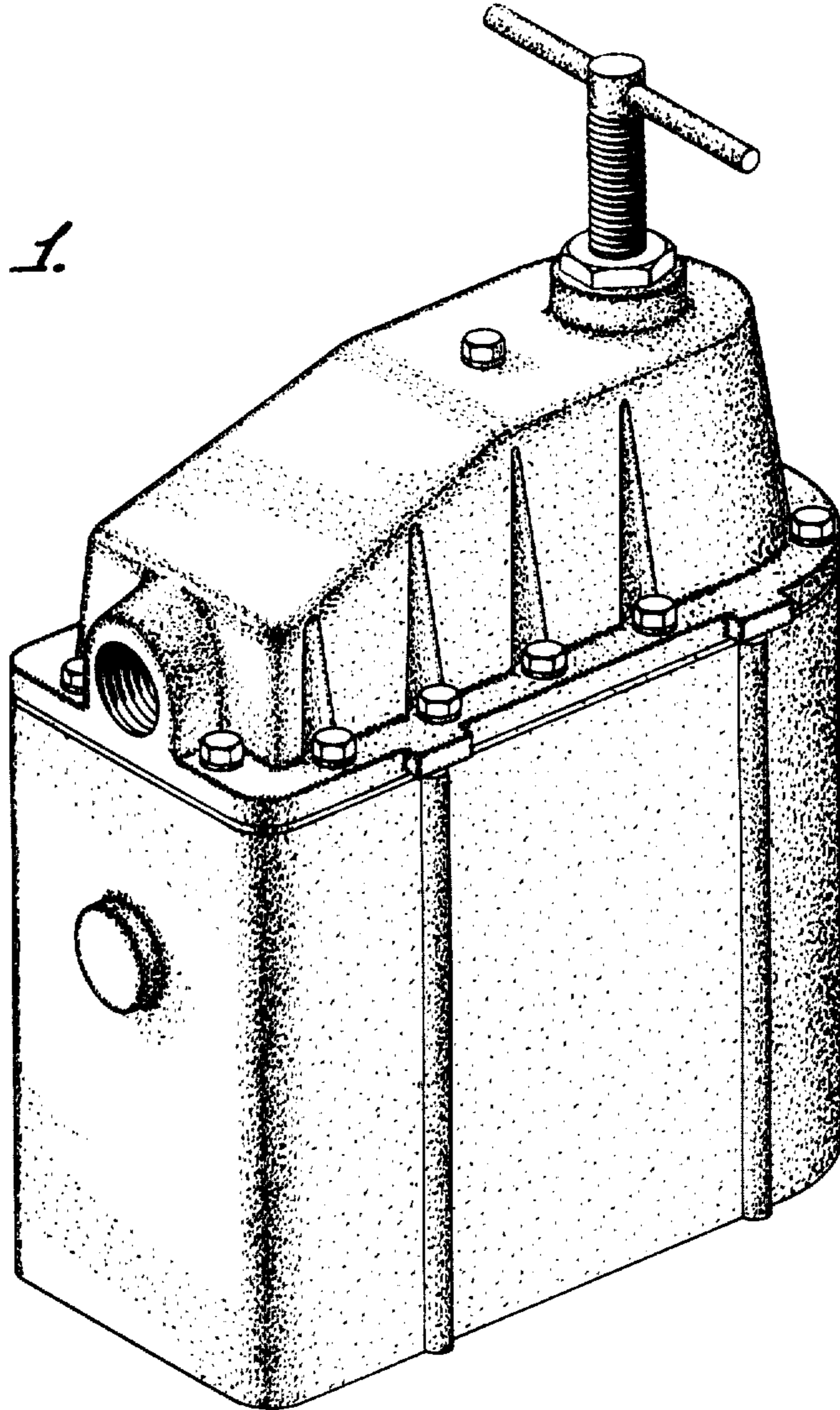
The ornamental design for an air dome for pumping and dewatering systems, substantially as shown and described.

DESCRIPTION

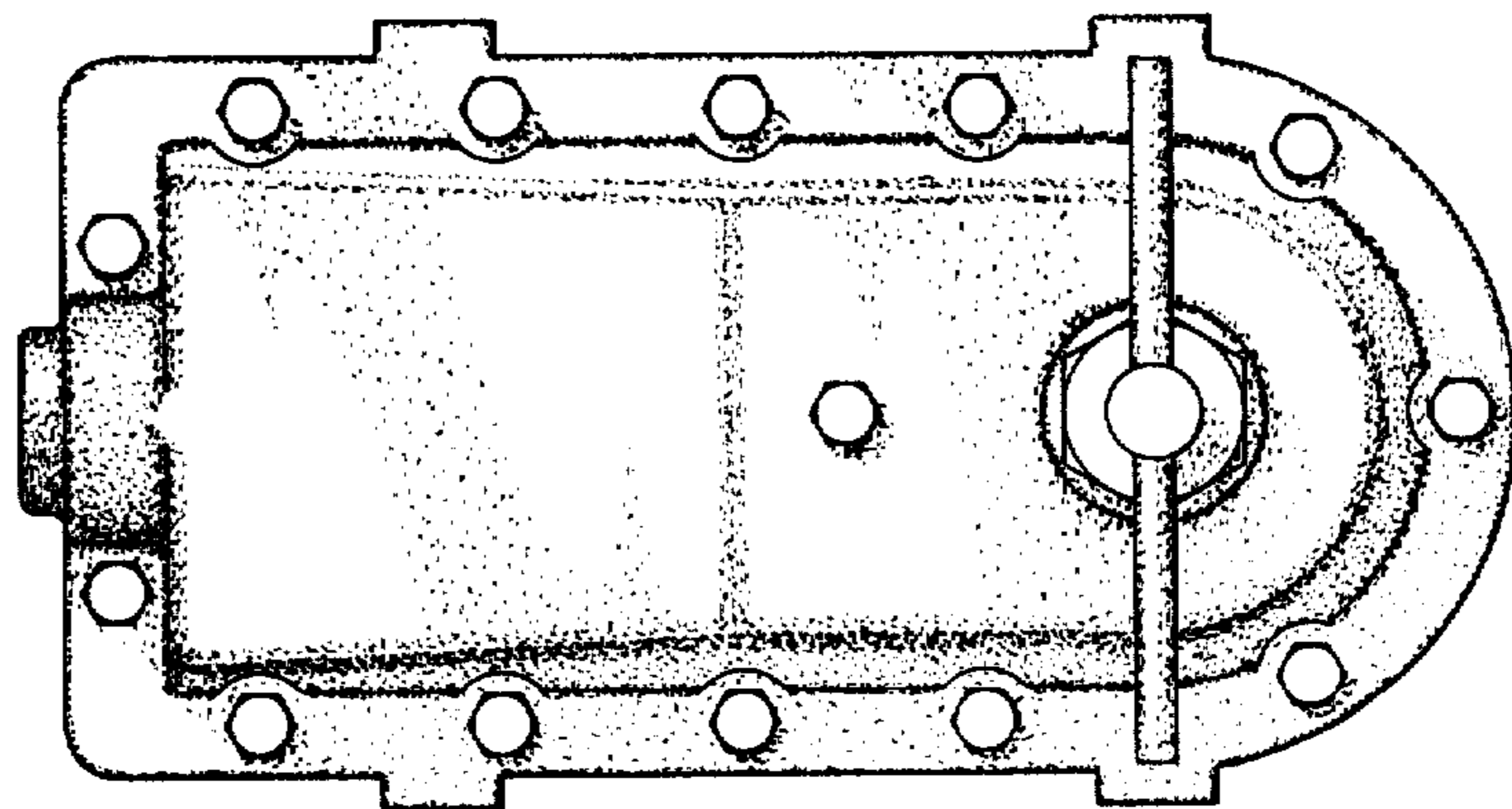
FIG. 1 is an isometric view of an air dome for pumping and dewatering systems, embodying my new design; FIG. 2 is a top plan view thereof; FIG. 3 is an end elevation, showing the end not illustrated in FIG. 1; FIG. 4 is a side elevation, showing the side not illustrated in FIG. 1; and FIG. 5 is a bottom plan view.

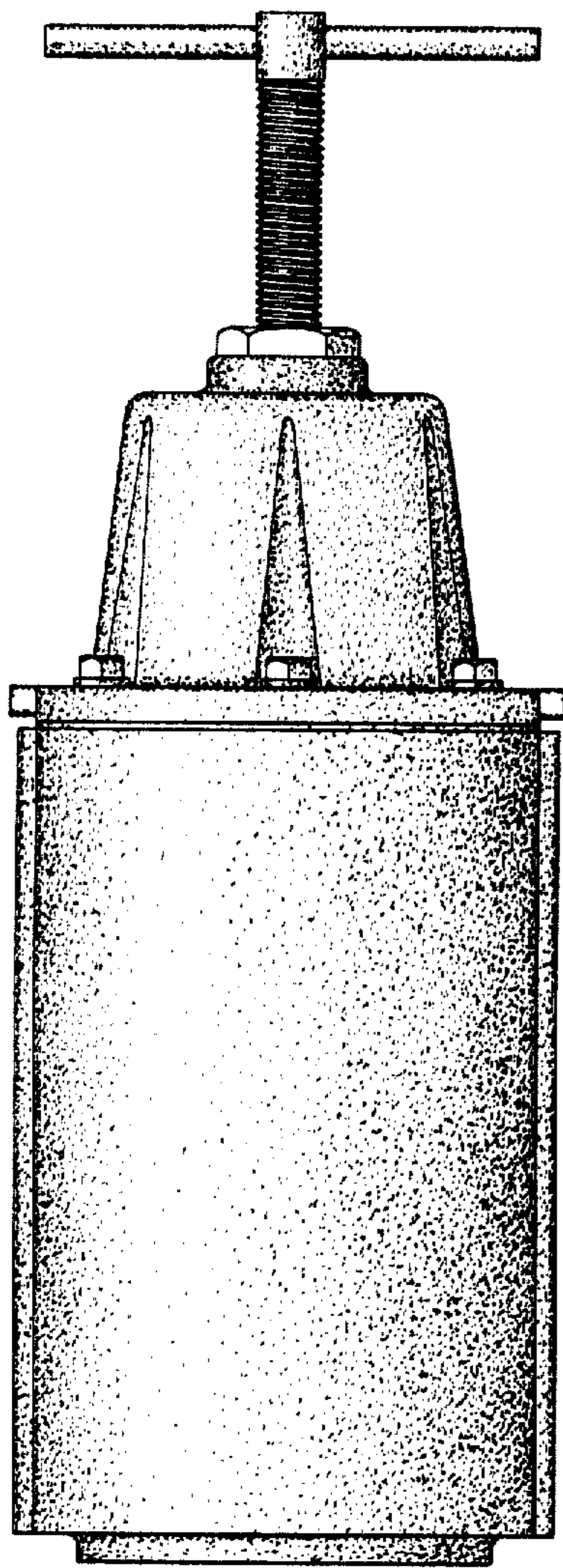


*FIG. 1.*

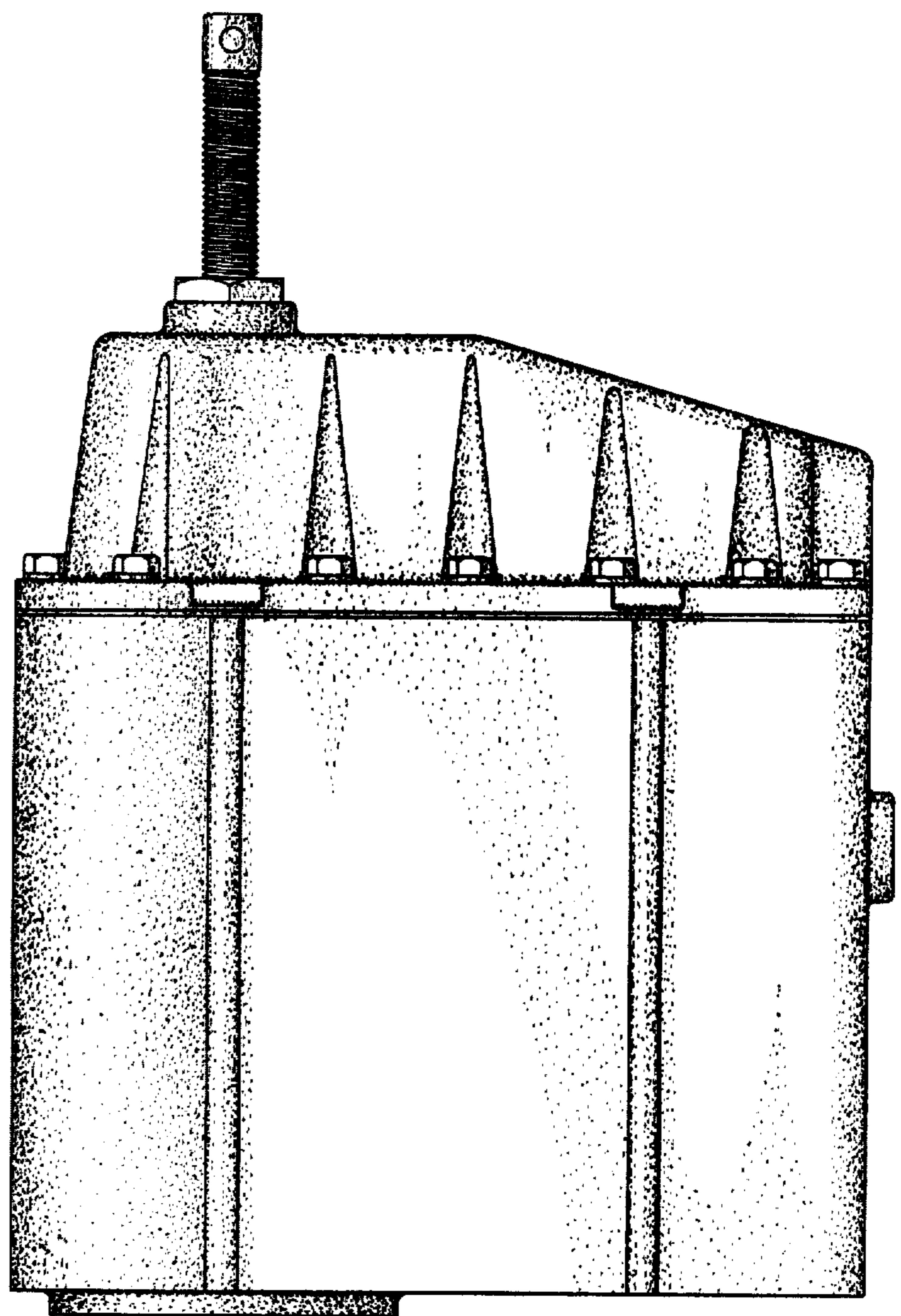


*FIG. 2.*

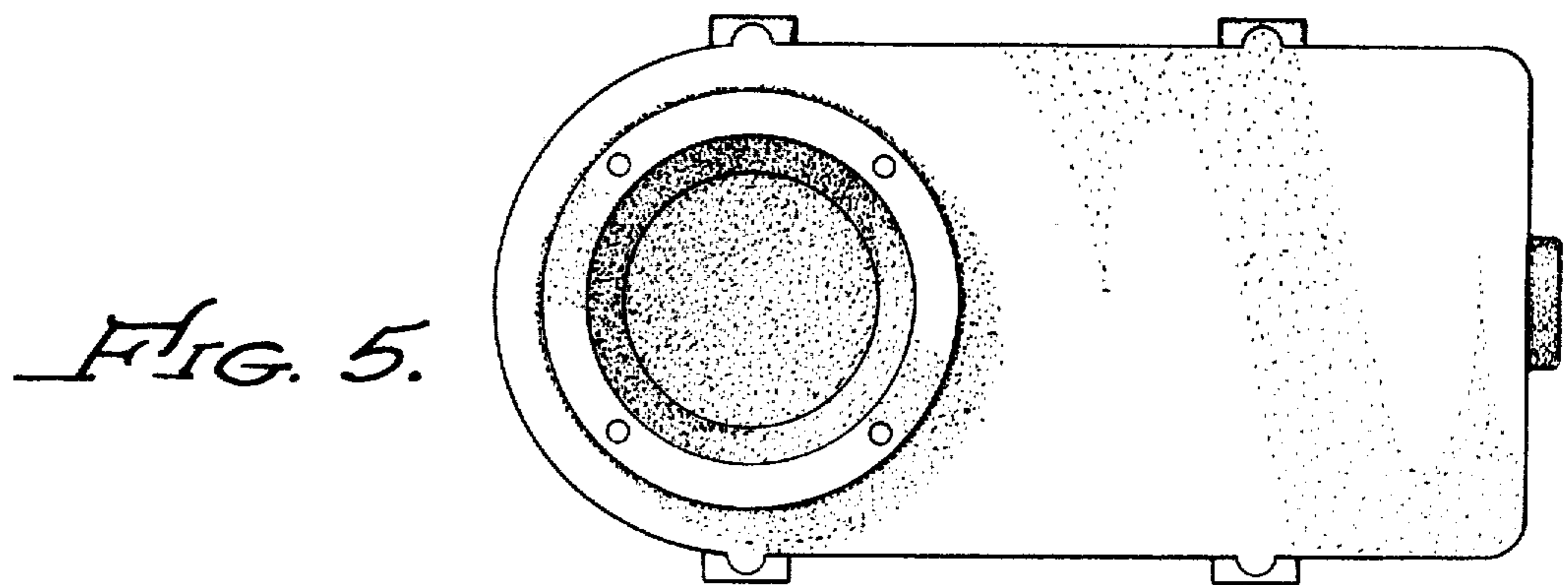




*FIG. 3.*



*FIG. 4.*



*FIG. 5.*