

[54] BOAT

[75] Inventors: Forrest L. Wood; Mickey C. Wood, both of Flippin; Dale H. Jensen, Everton; Kenneth P. Poley, Yellville; Charles C. Hoover, Bull Shoals; Gary L. Wilson, Flippin, all of Ark.

[73] Assignee: Wood Manufacturing Company, Incorporated, Flippin, Ark.

[**] Term: 14 Years

[21] Appl. No.: 270,796

[22] Filed: Jun. 5, 1981

[51] Int. Cl. D12-06
[52] U.S. Cl. D12/300
[58] Field of Search D12/300

[56]

References Cited

U.S. PATENT DOCUMENTS

D. 224,362 7/1972 Wilson D12/300

OTHER PUBLICATIONS

Ebbtide 1978, Brochure, Dyna-Trak 176 boat, p. 4.

Primary Examiner—A. Hugo Word
Attorney, Agent, or Firm—Colton & Stone, Inc.

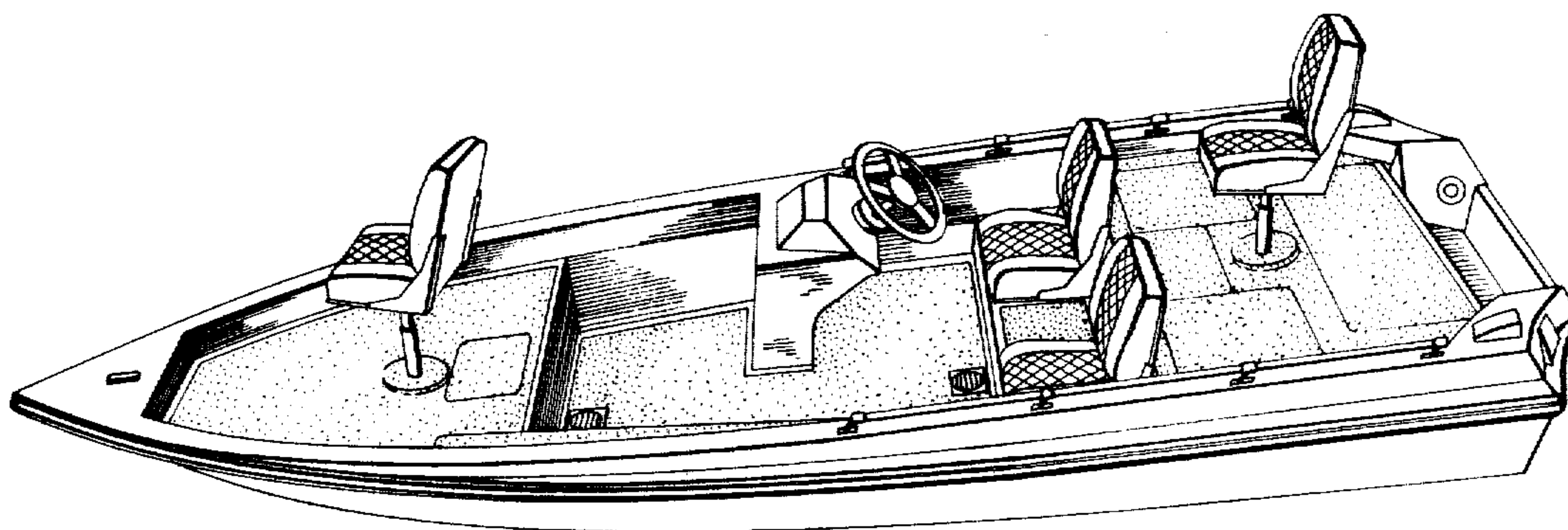
[57]

CLAIM

The ornamental design for a boat, substantially as shown and described.

DESCRIPTION

FIG. 1 is a perspective view of the boat of the present invention;
FIG. 2 is a top plan view thereof;
FIG. 3 is an elevational view of the right side thereof, the left side being a mirror image of the right side;
FIG. 4 is a bottom plan view thereof;
FIG. 5 is a front elevational view thereof; and
FIG. 6 is a rear elevational view thereof.



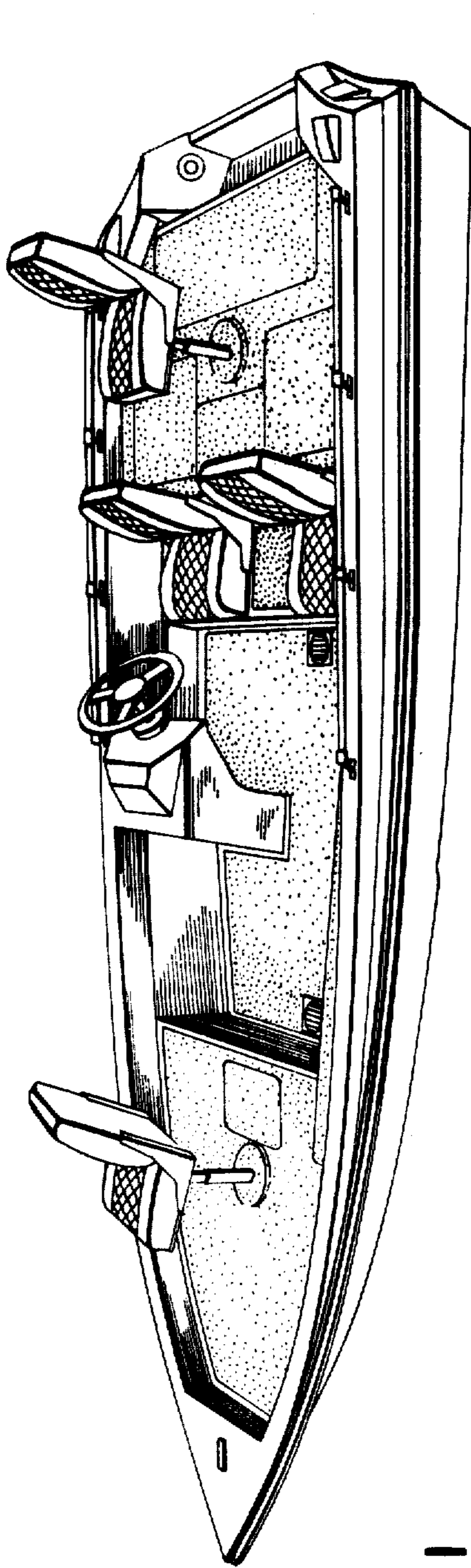


FIG. 1

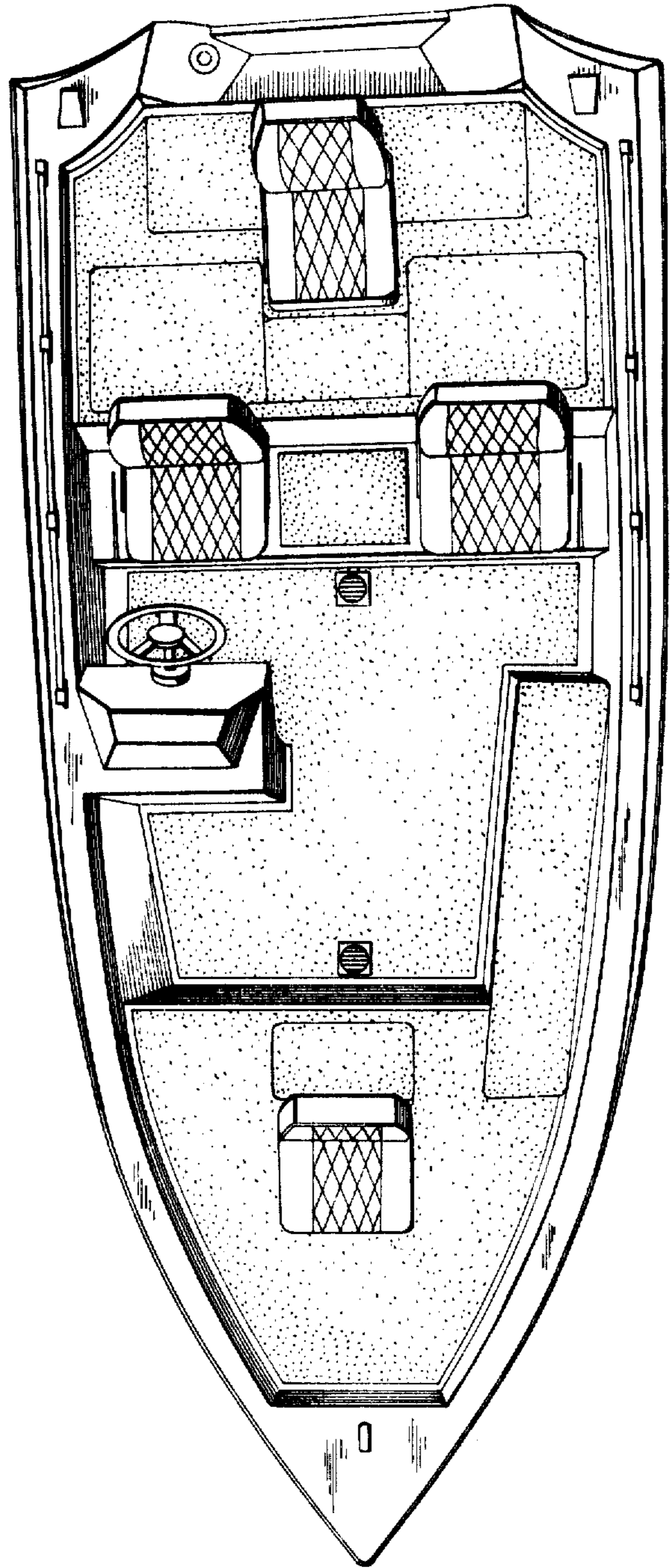


FIG. 2

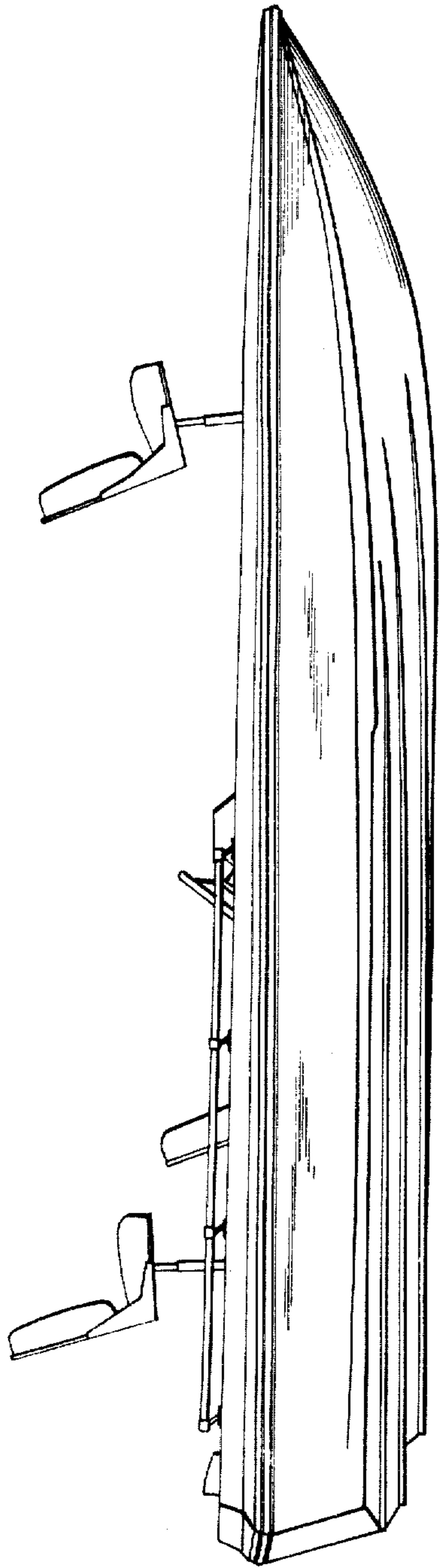


FIG. 3

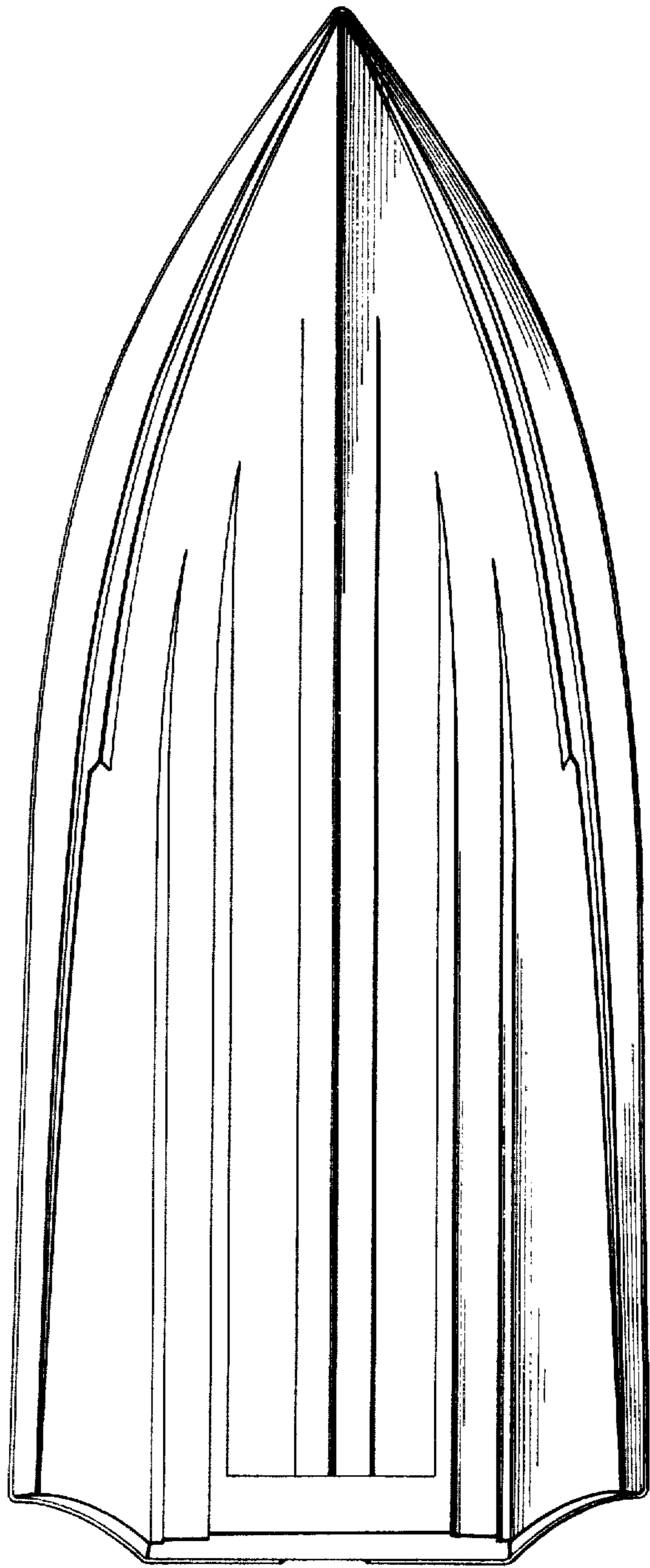


FIG. 4

FIG. 5

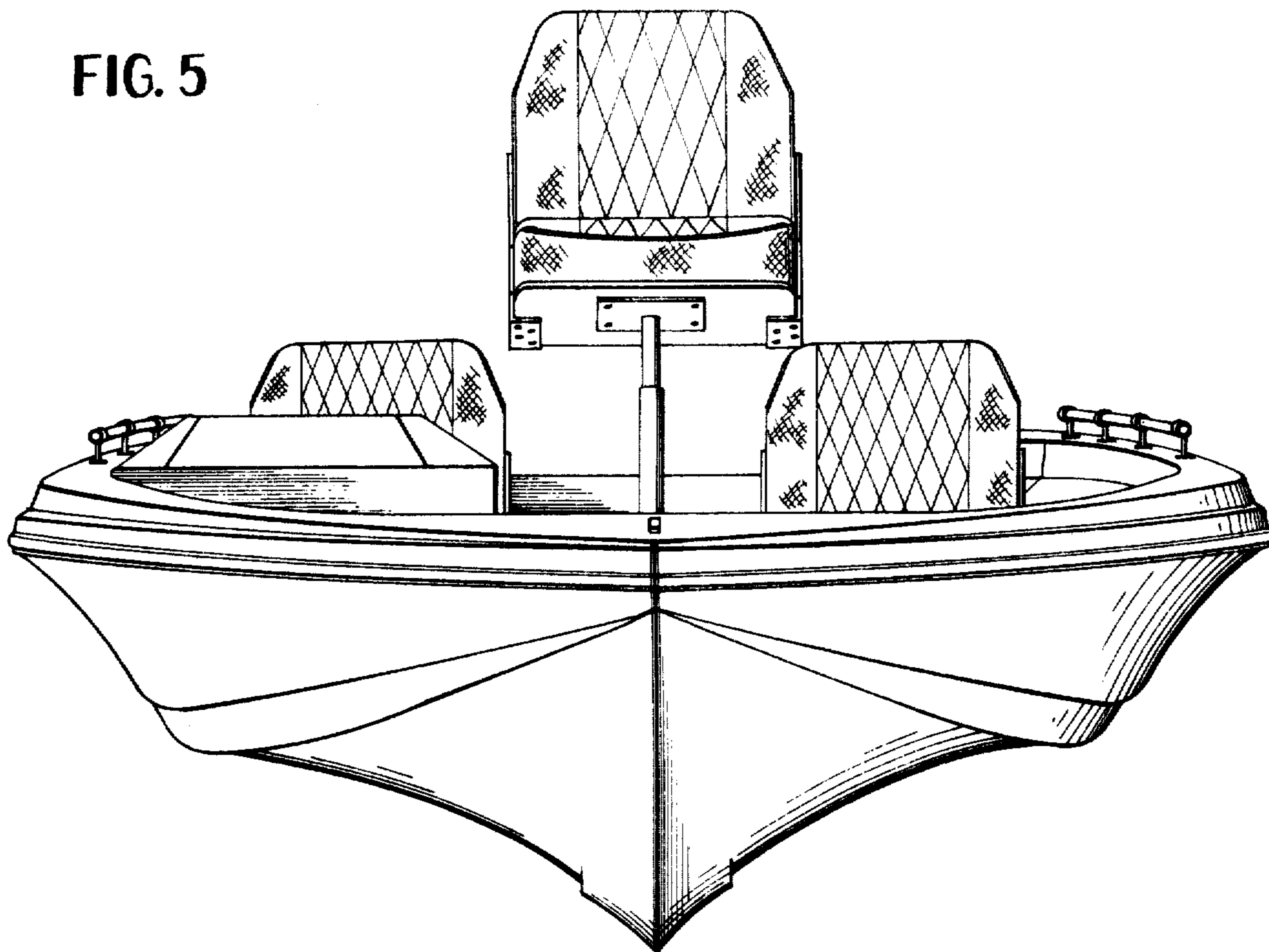


FIG. 6

